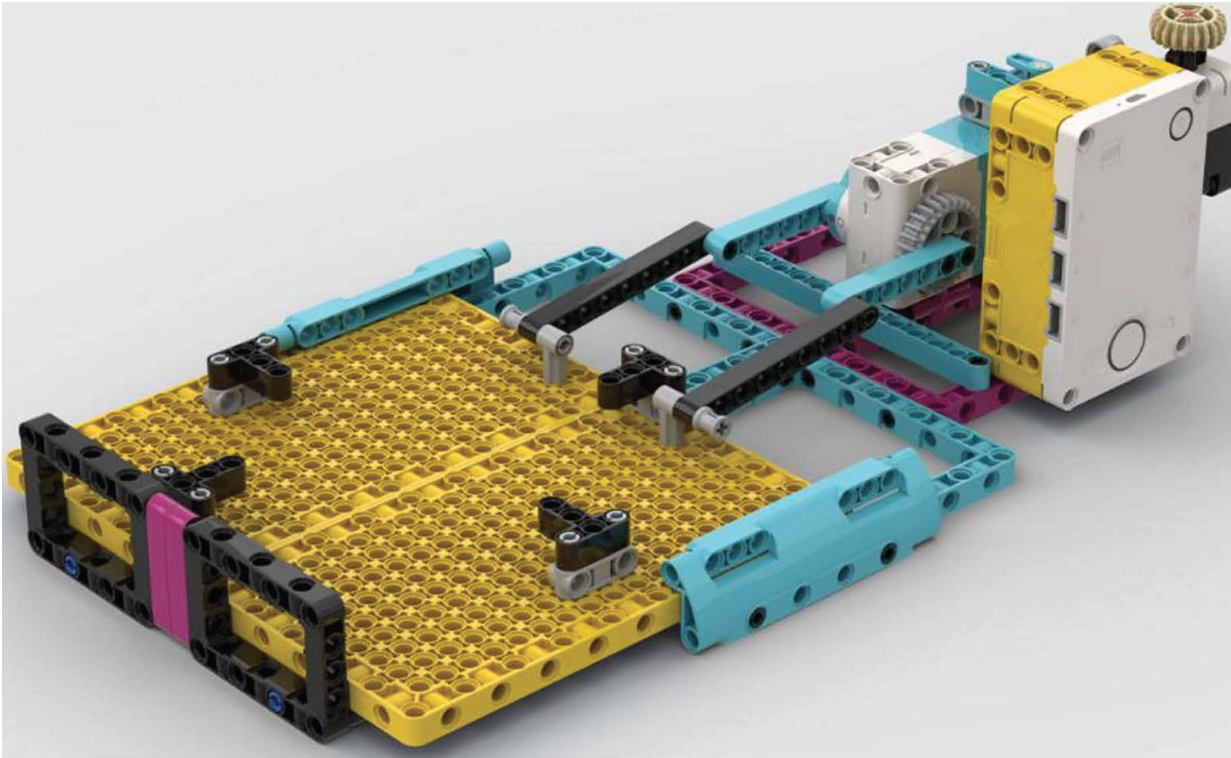
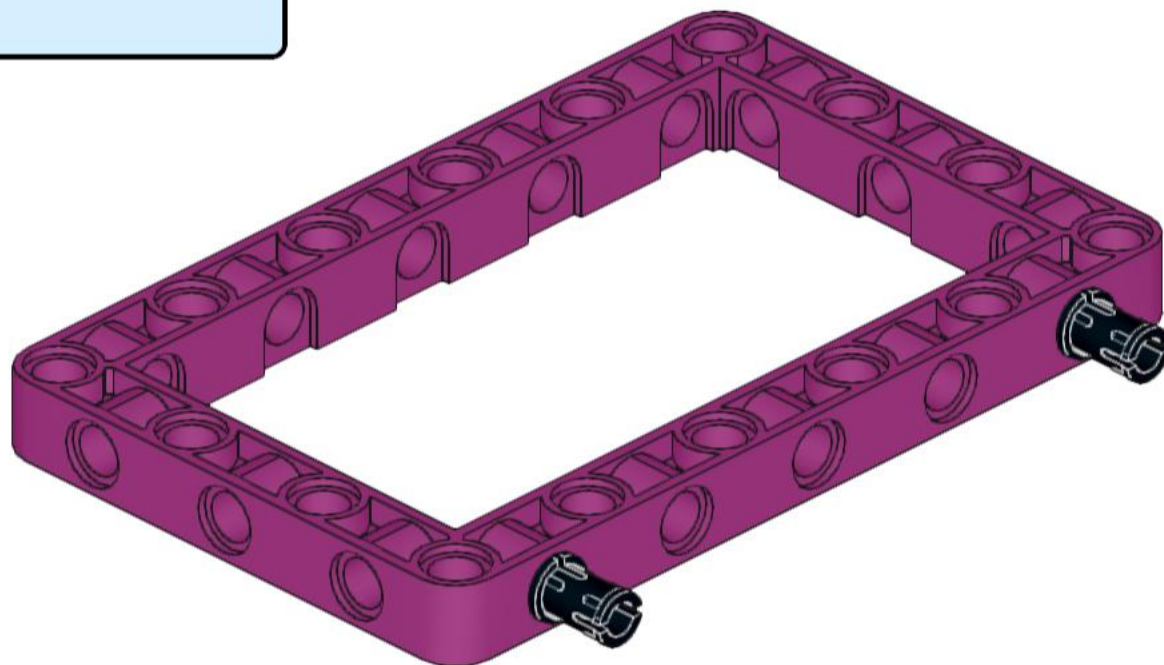
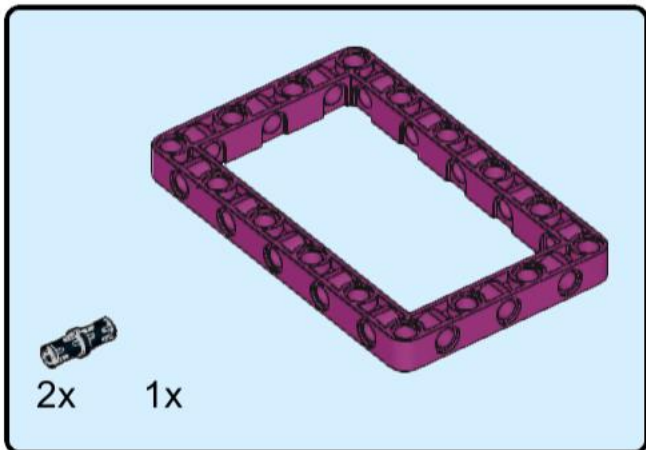


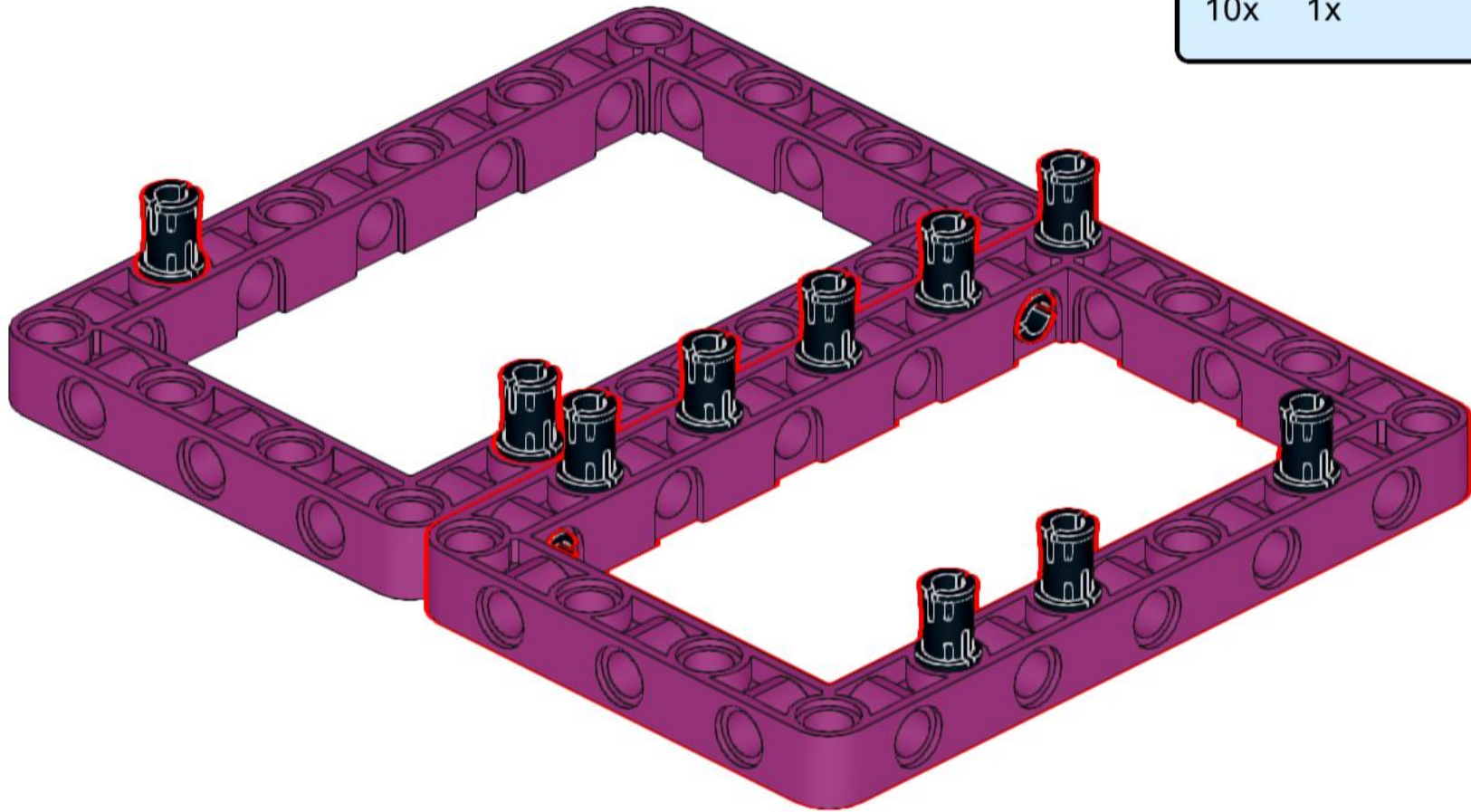
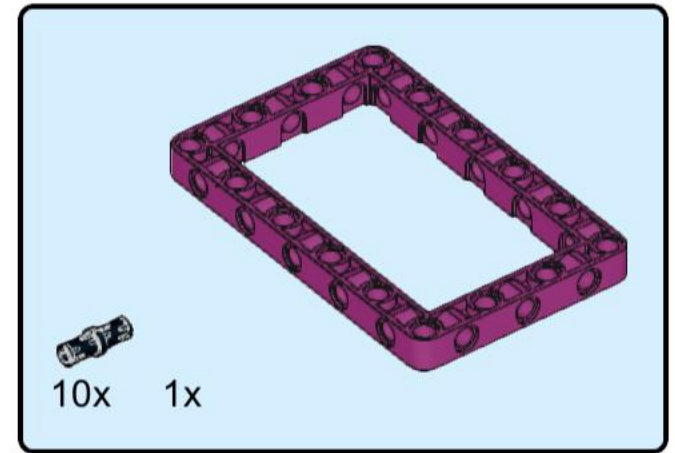
EARTHQUAKE SIMULATOR BUILDING INSTRUCTIONS



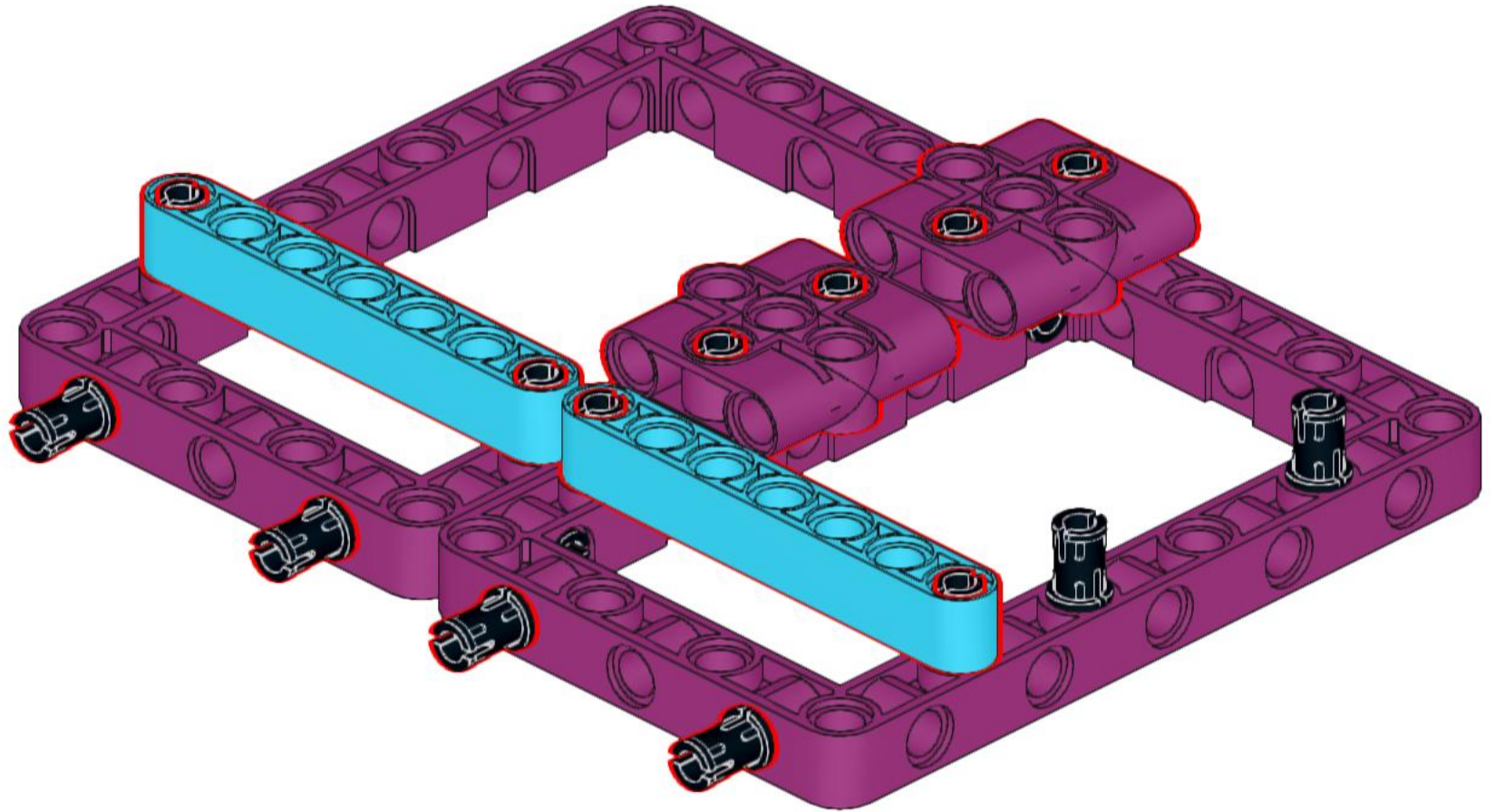
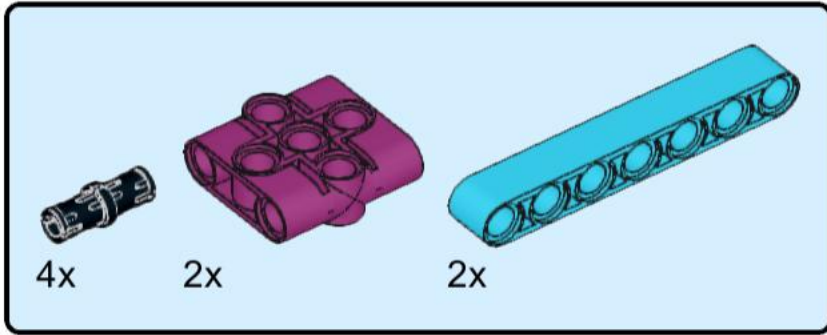
1



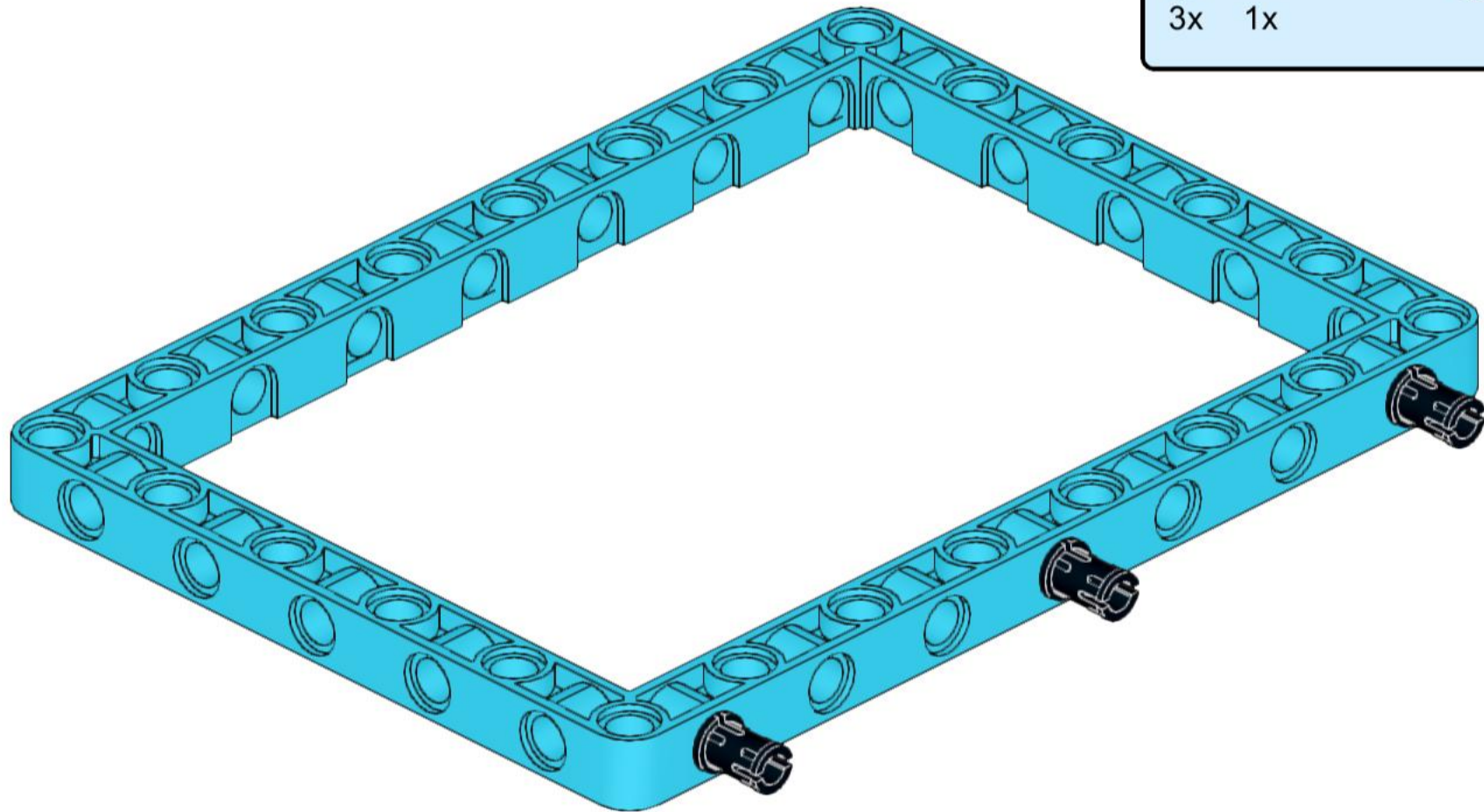
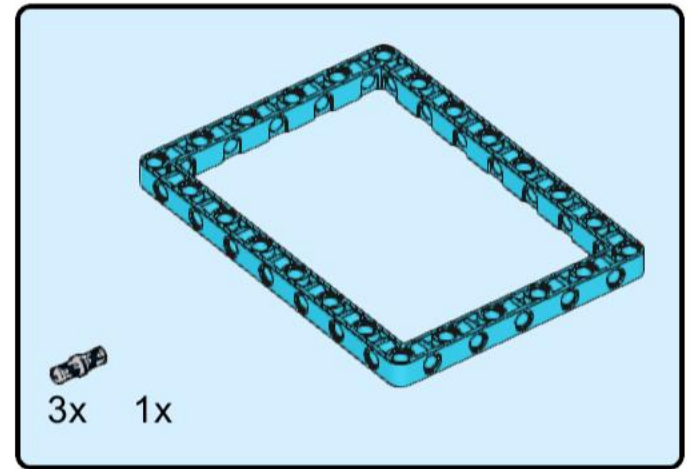
2



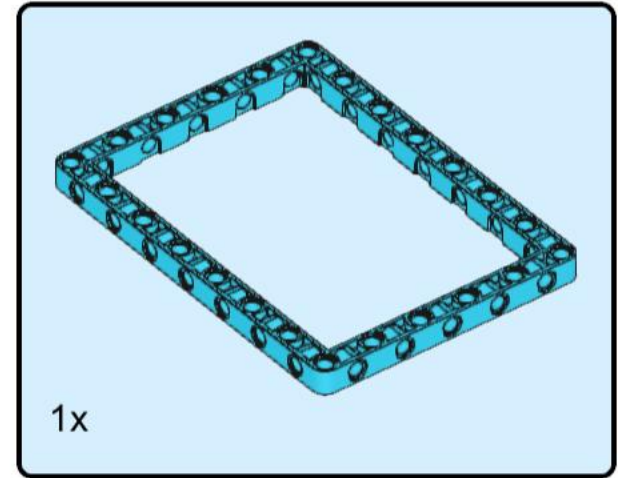
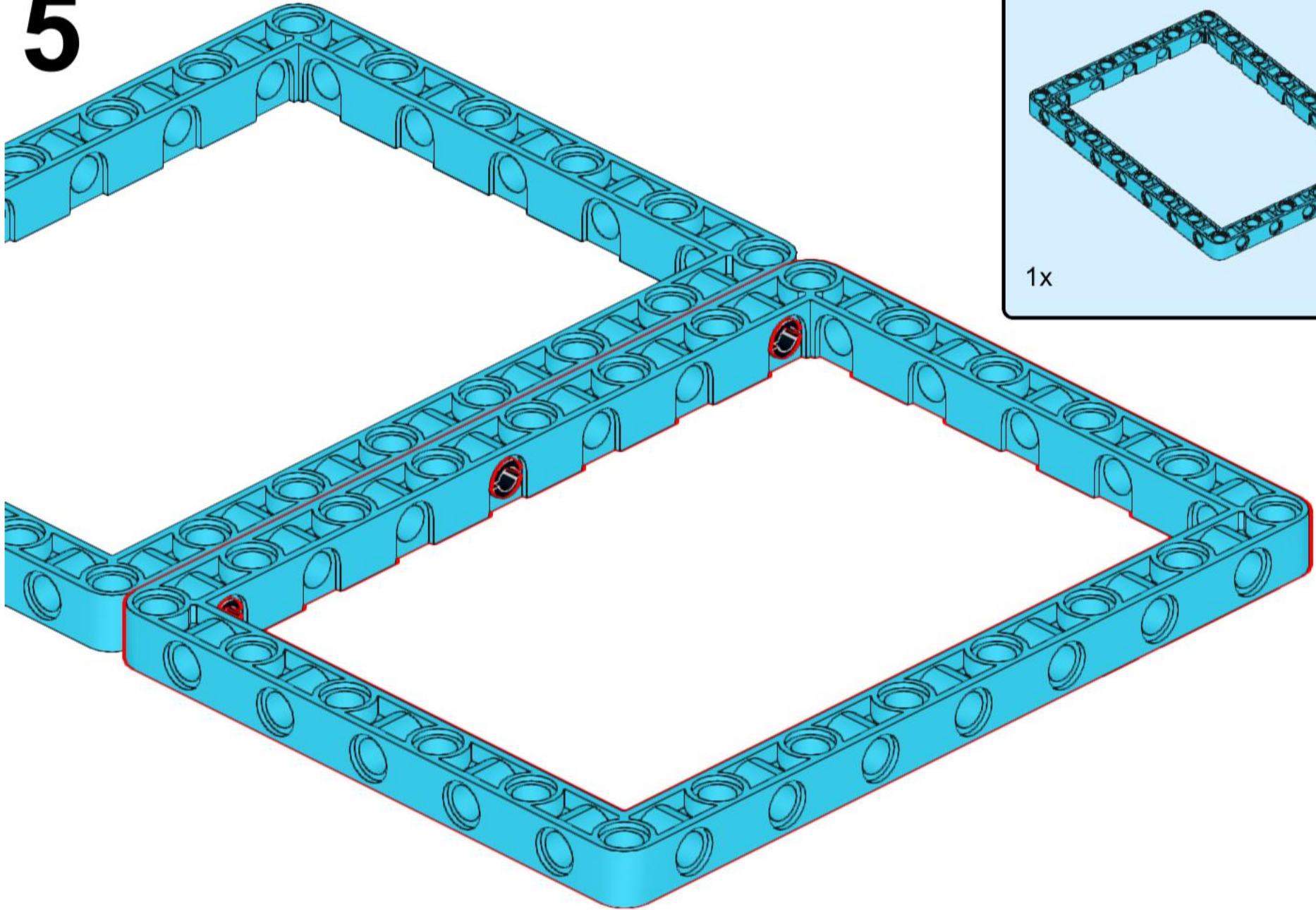
3



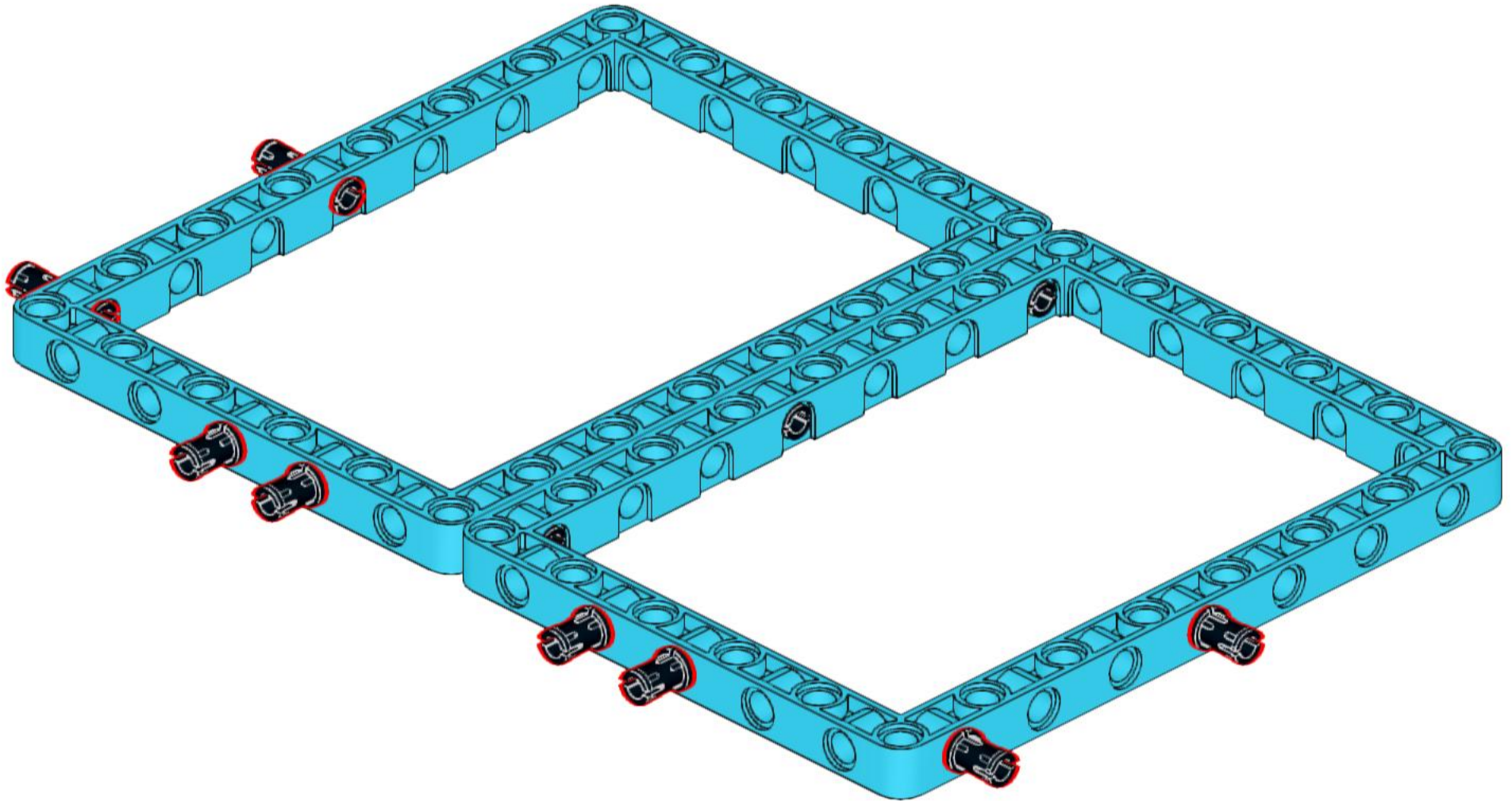
4



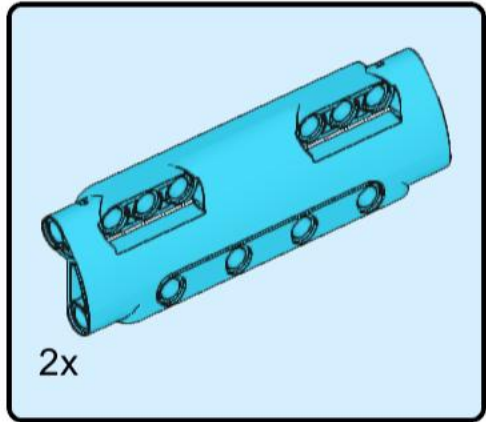
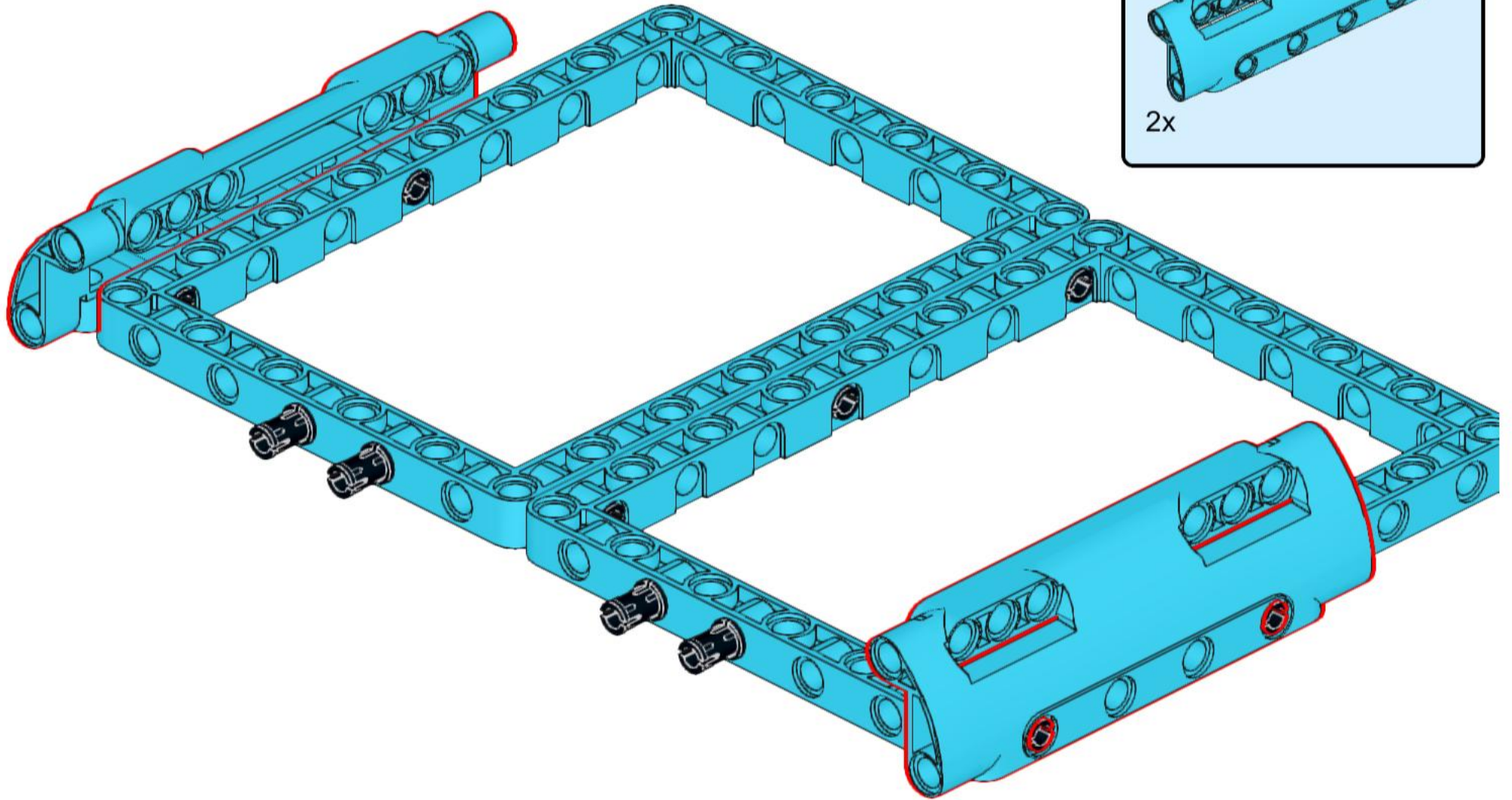
5



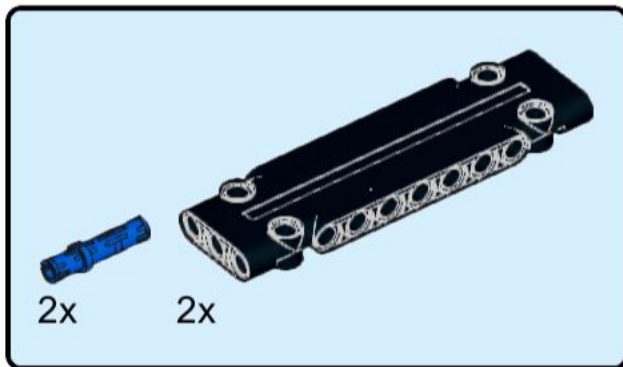
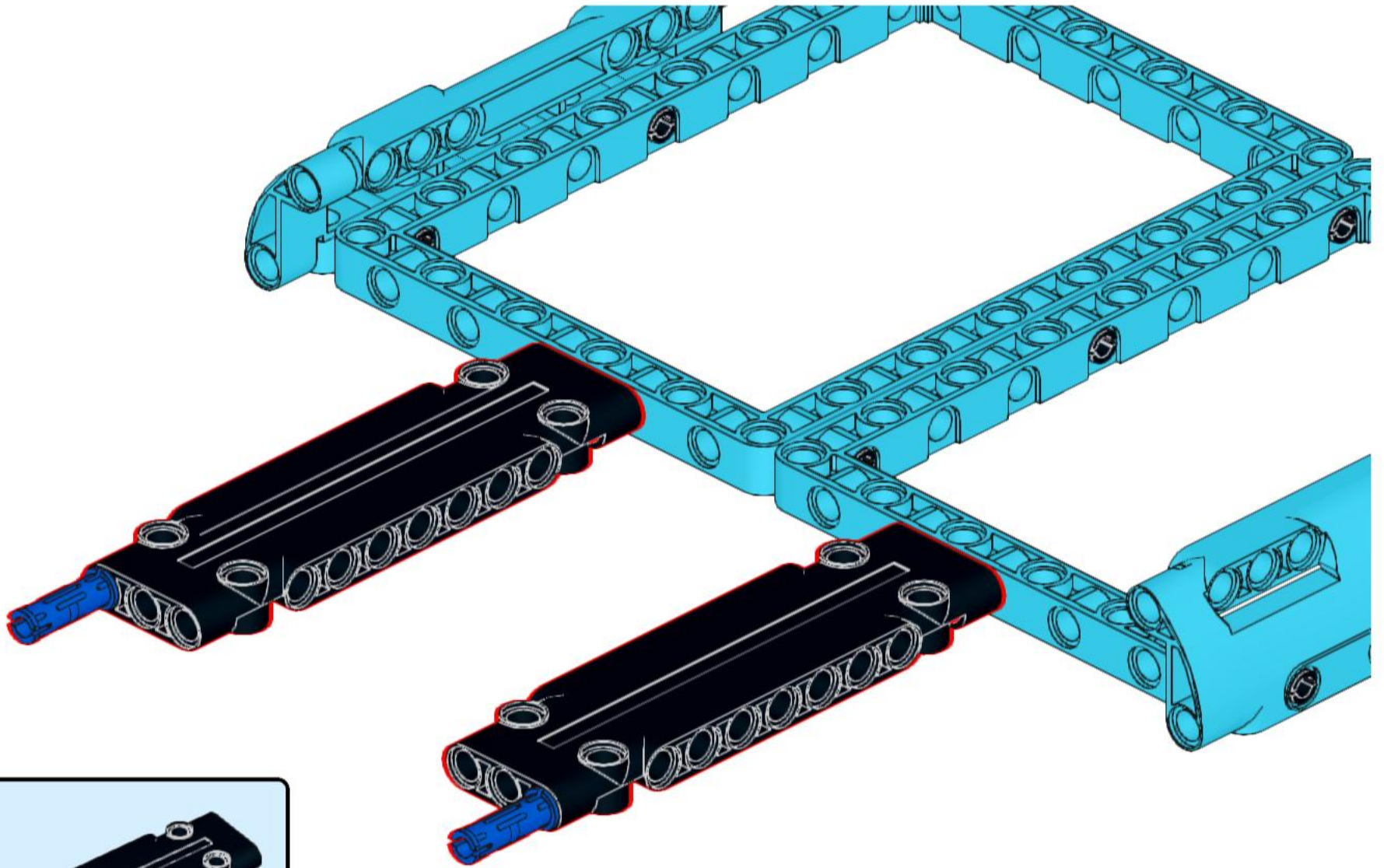
6



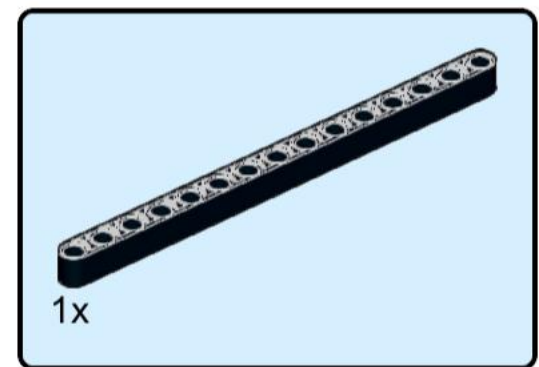
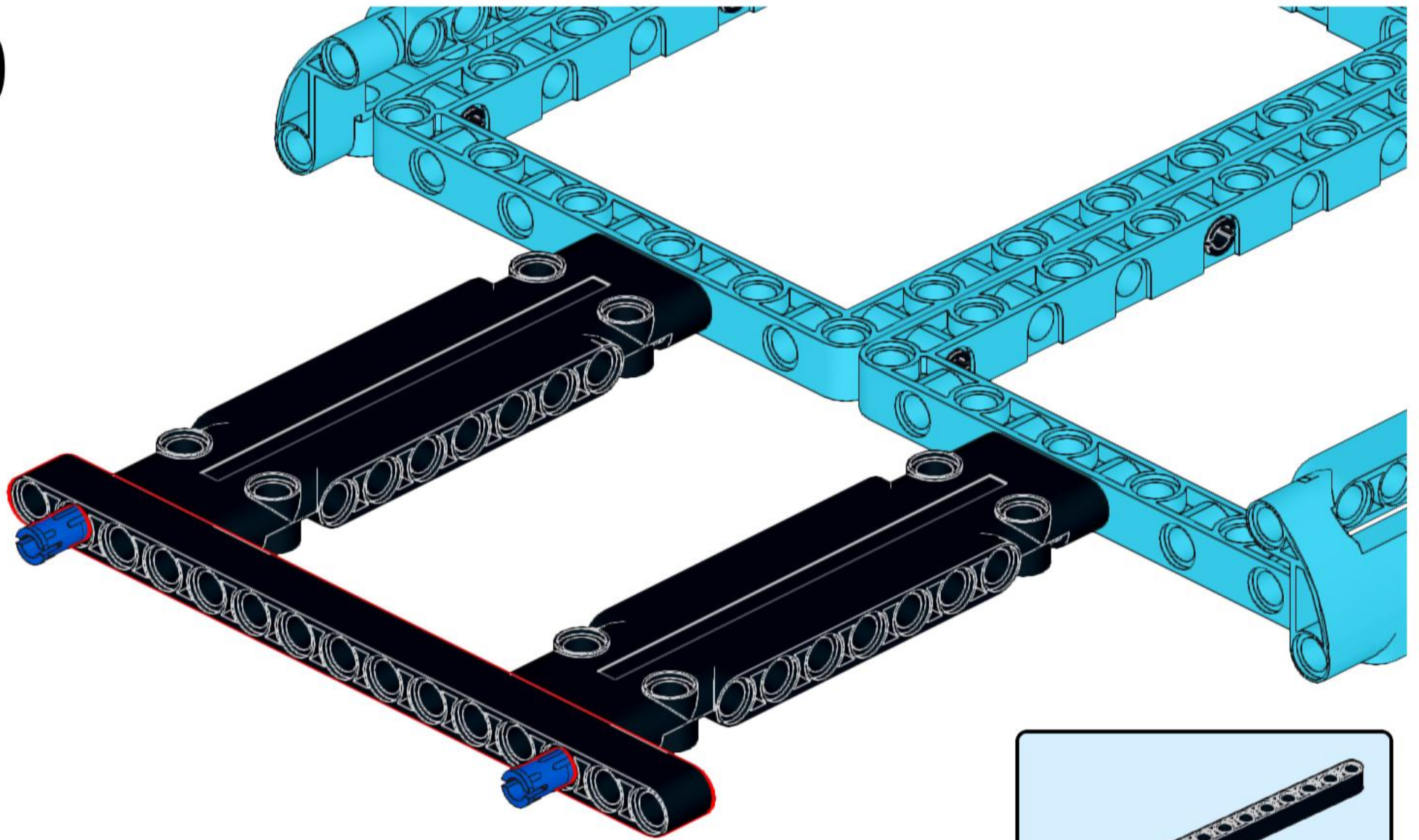
7



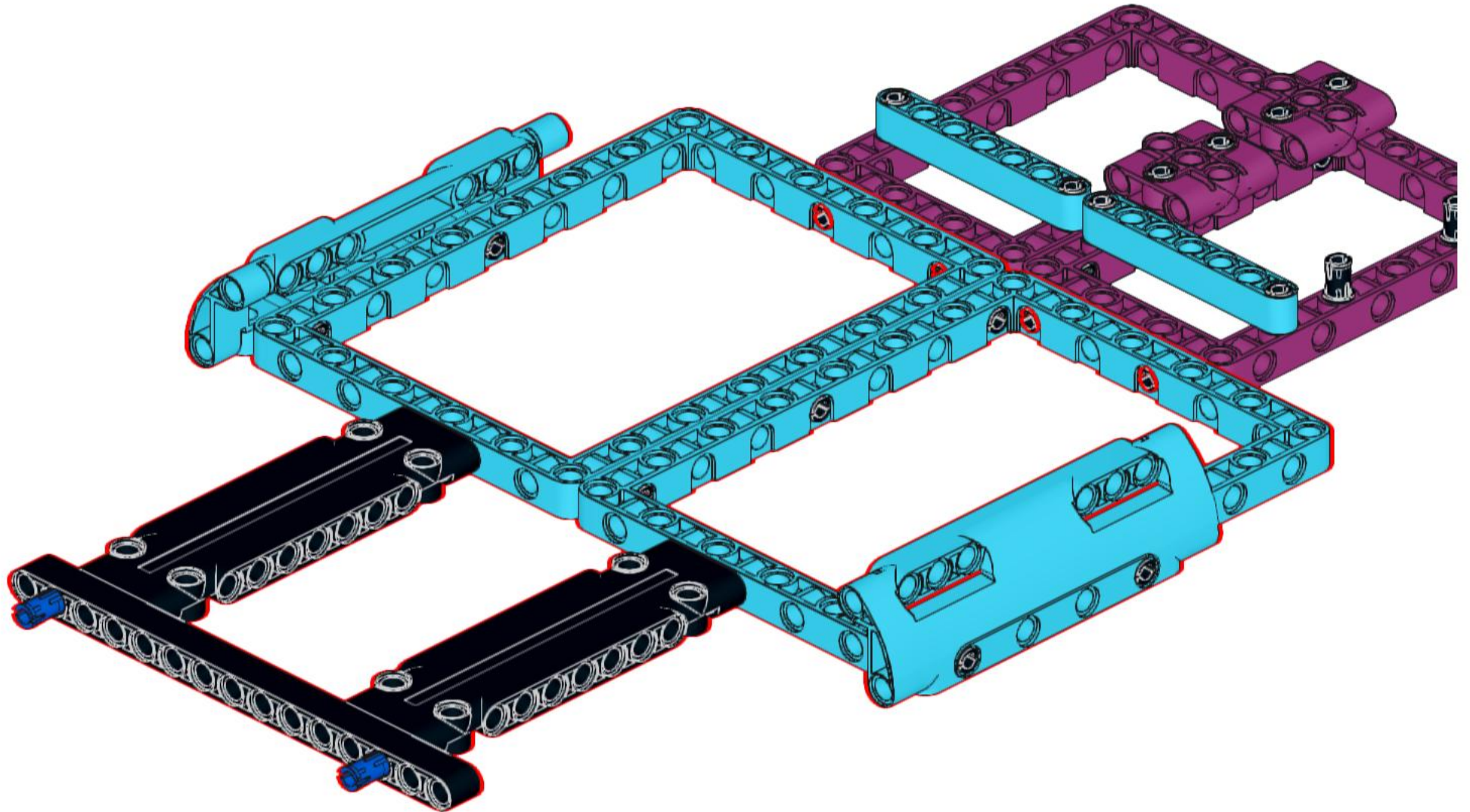
8



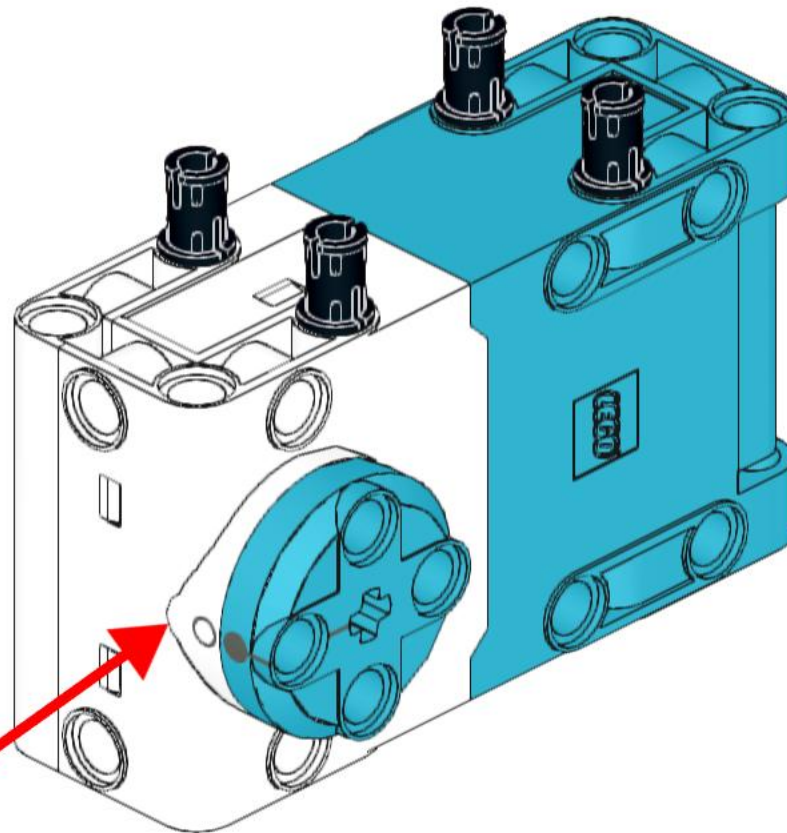
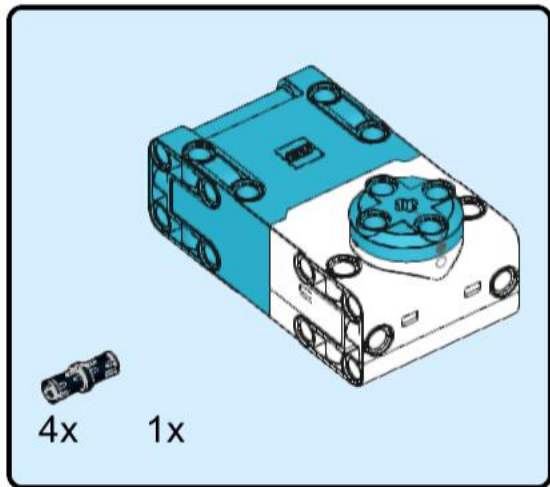
9



10

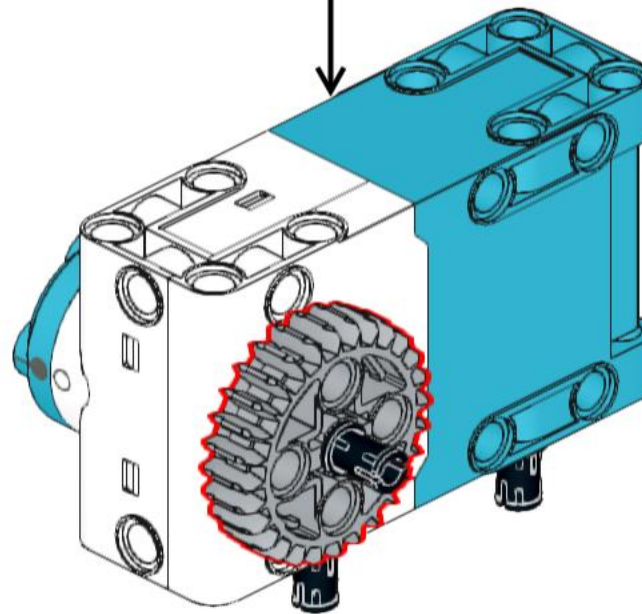
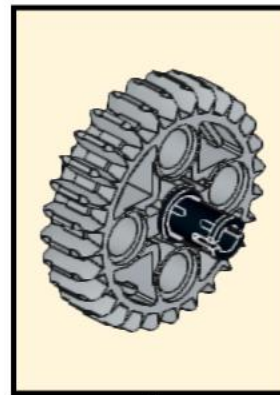
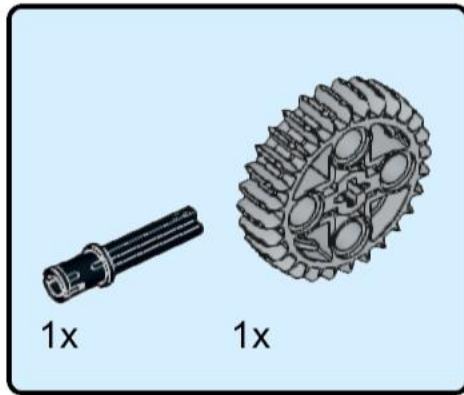


11



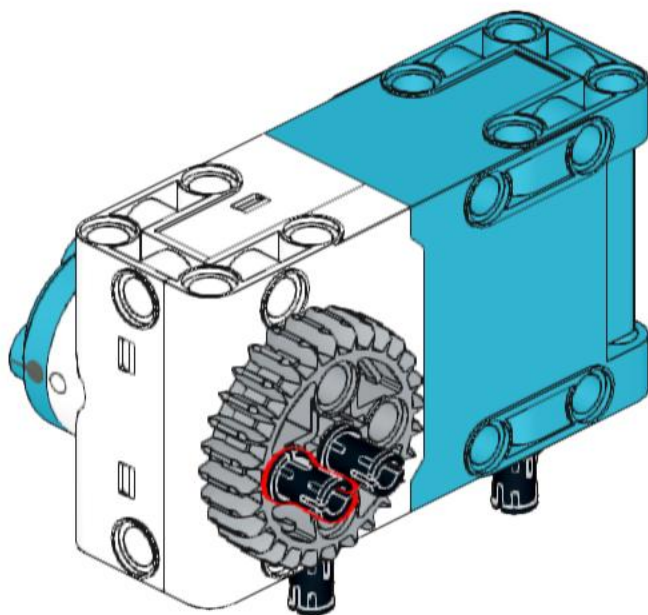
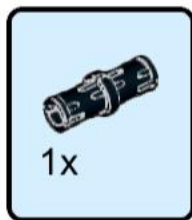
Ensure the grey dot on the blue section lines up with the white circle on the white section before going on to the next step.

12

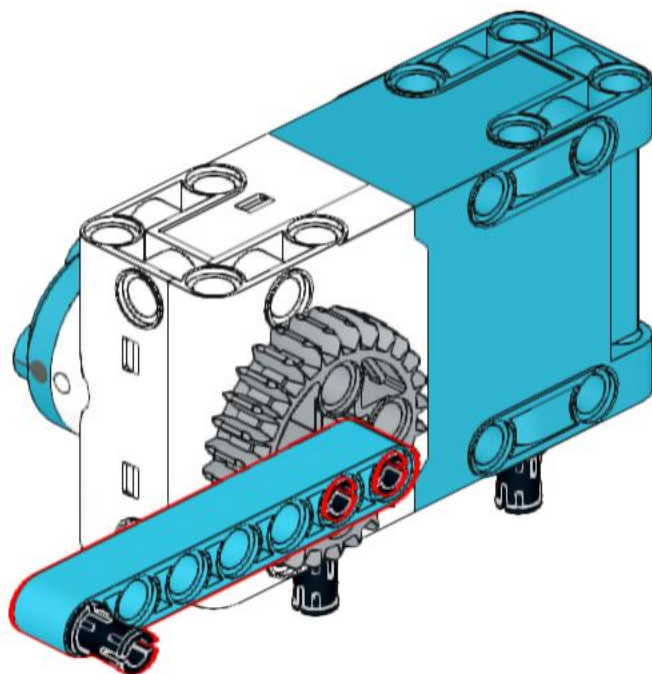
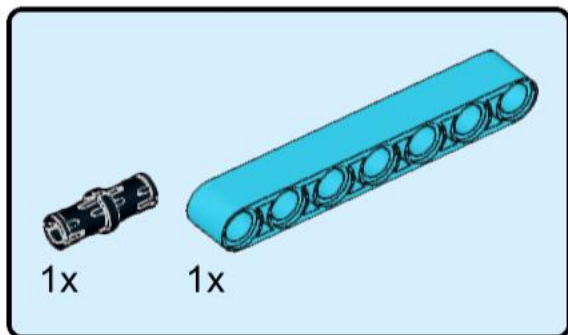


Flip the motor over so the pins are now facing down before fitting the grey gear.

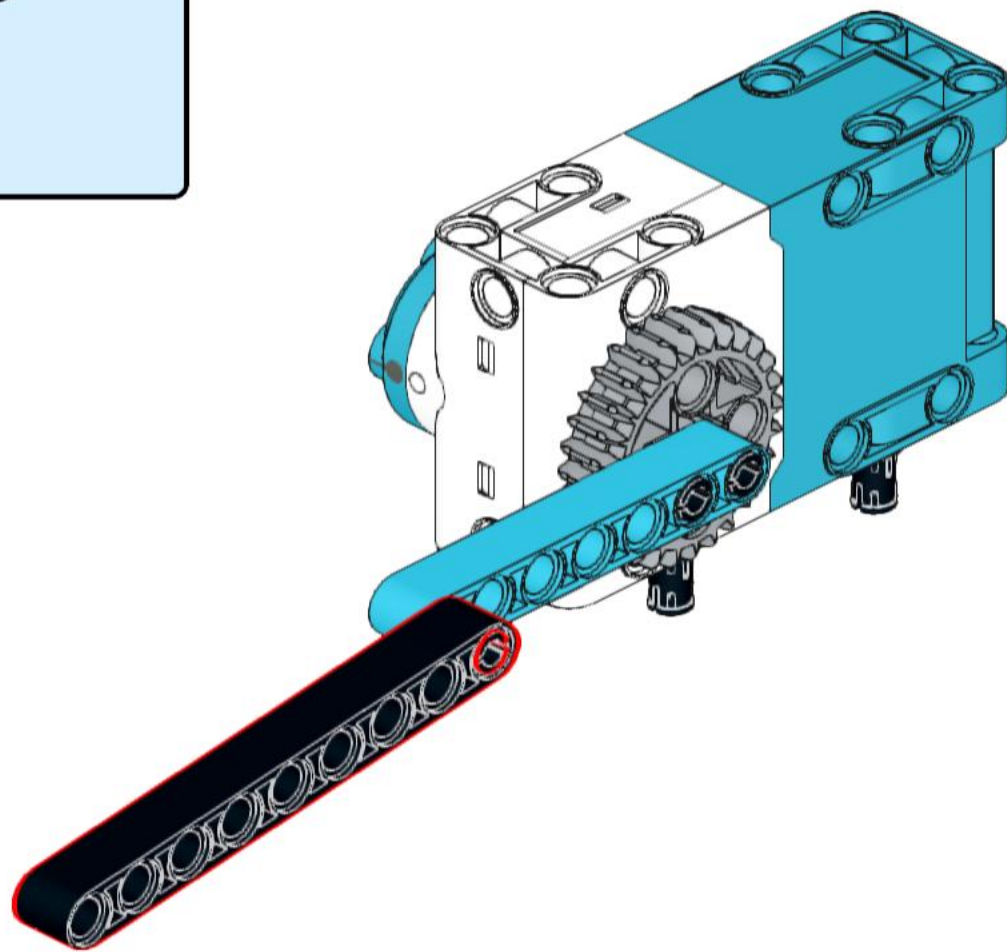
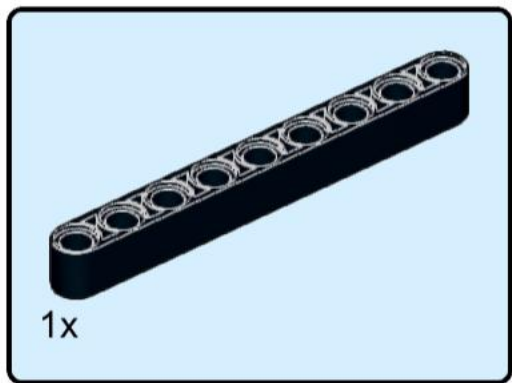
13



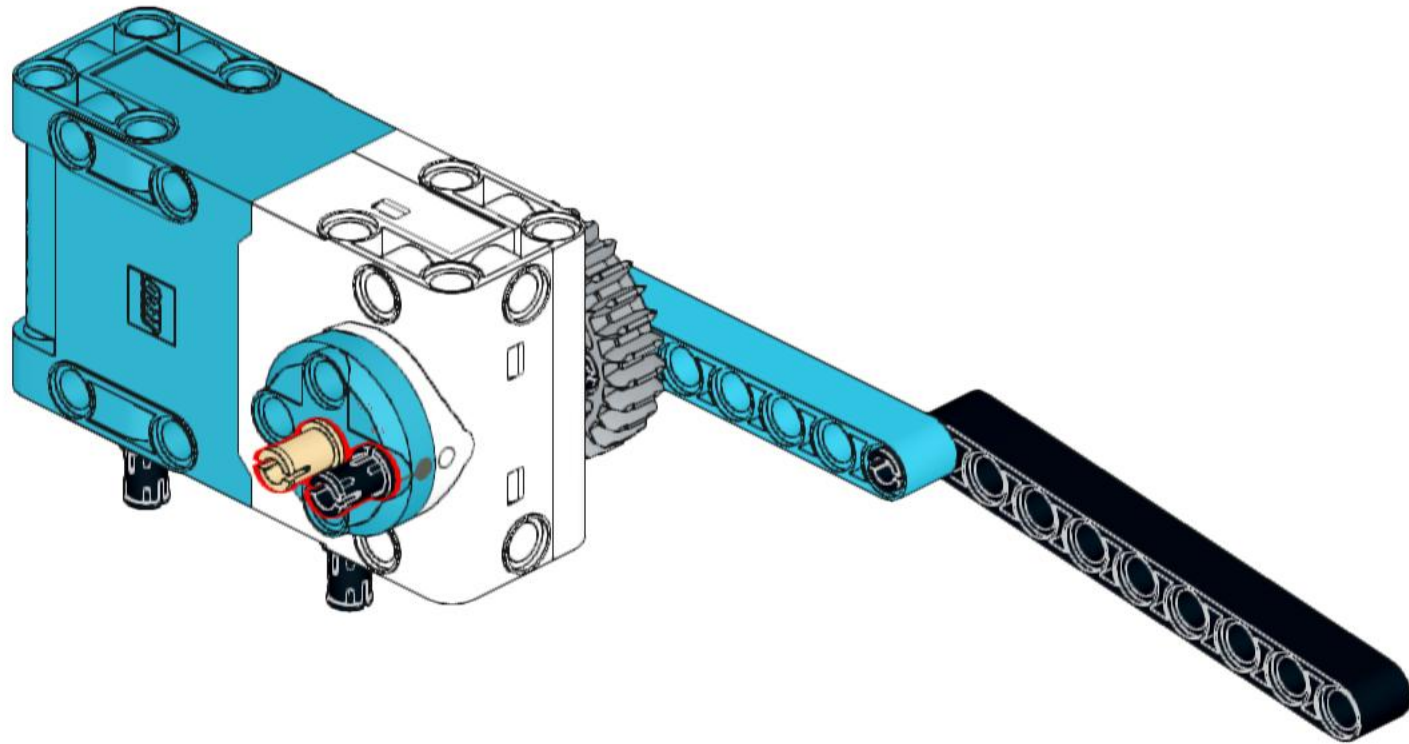
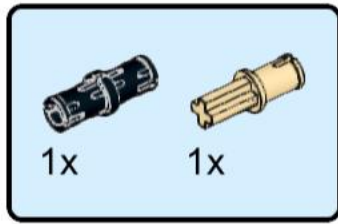
14



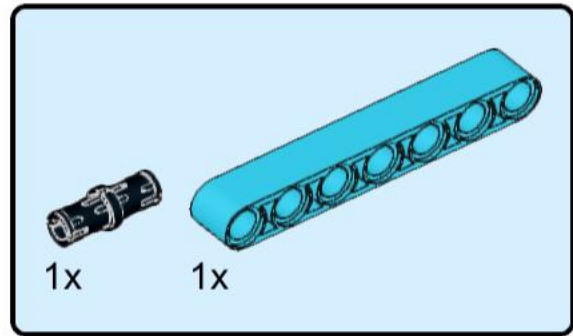
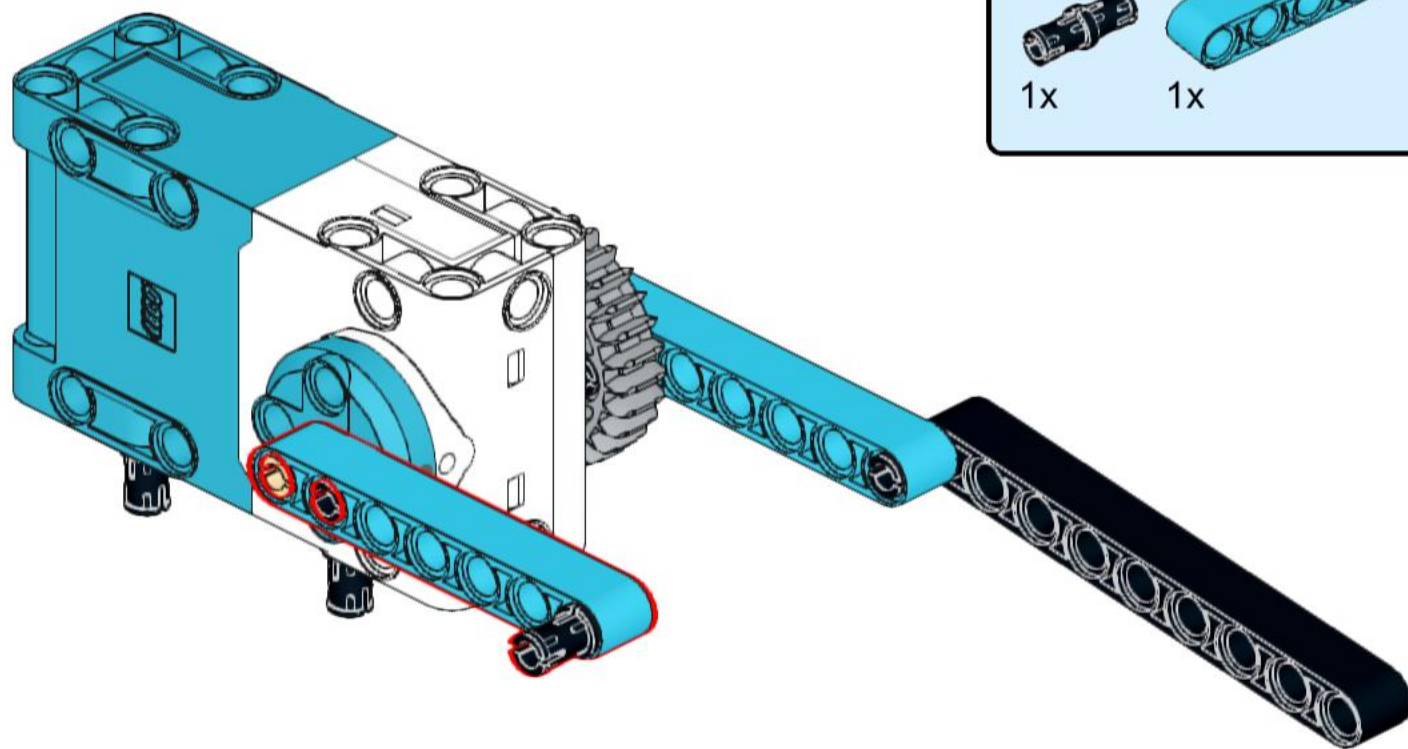
15



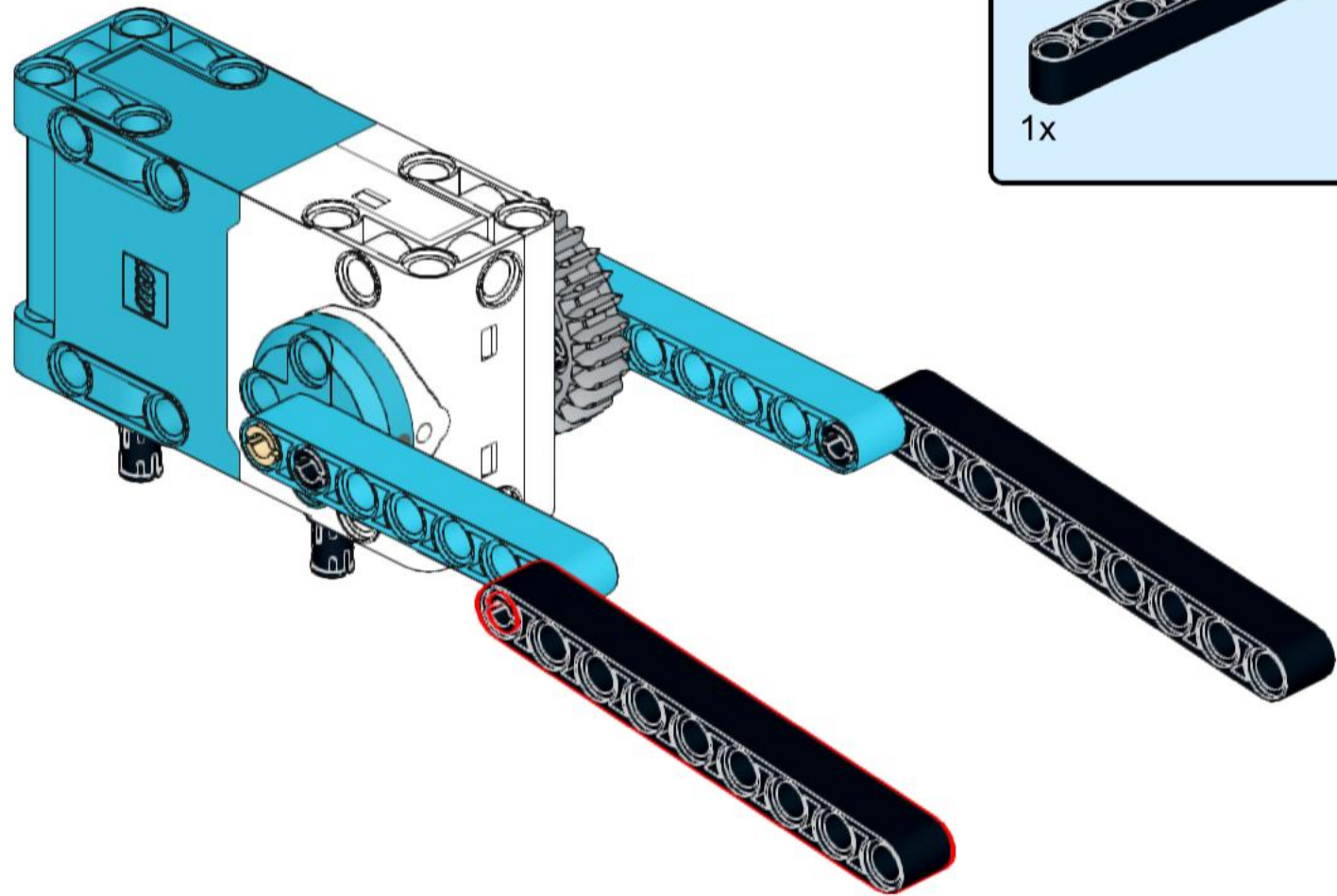
16



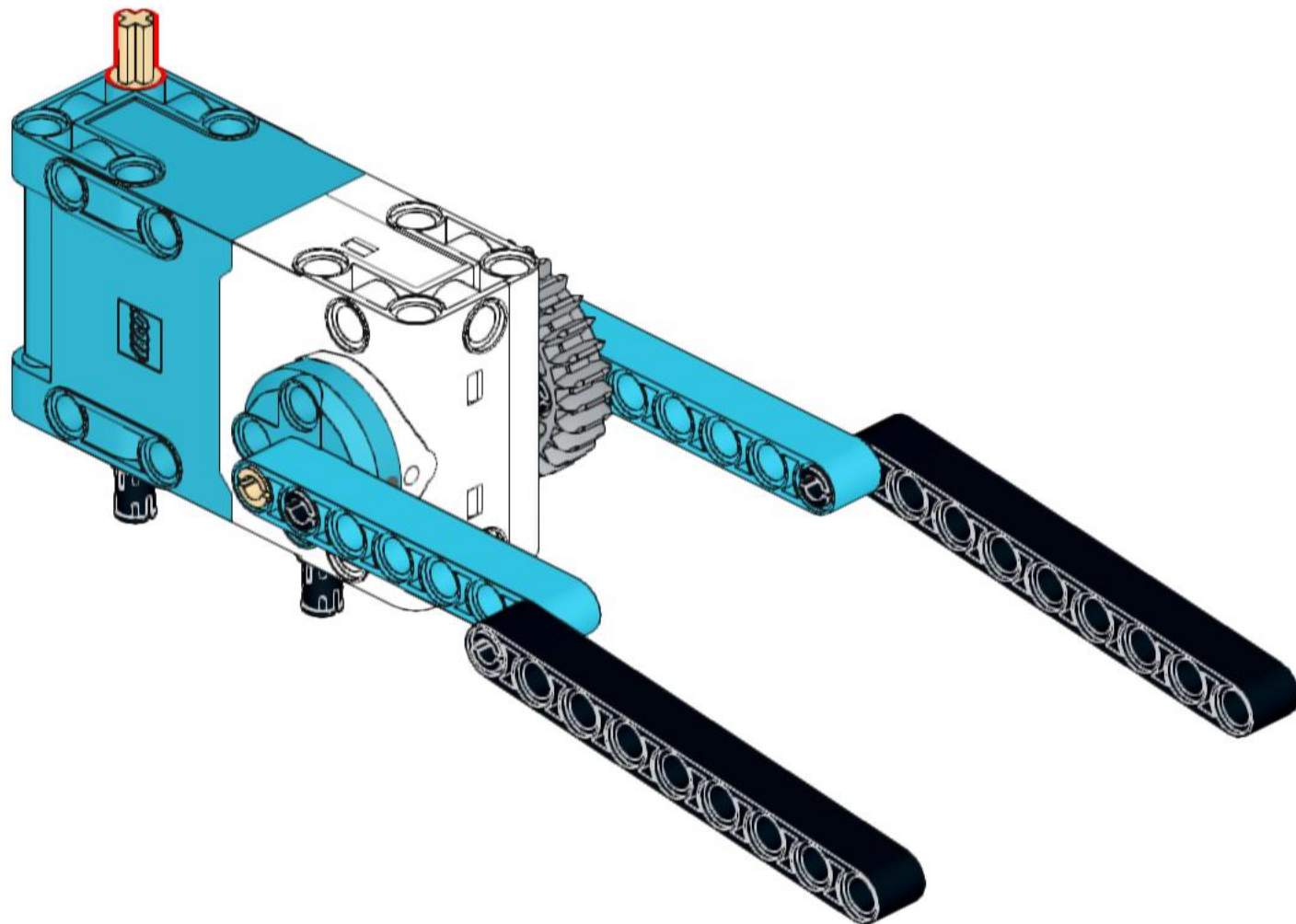
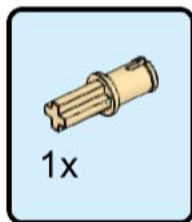
17



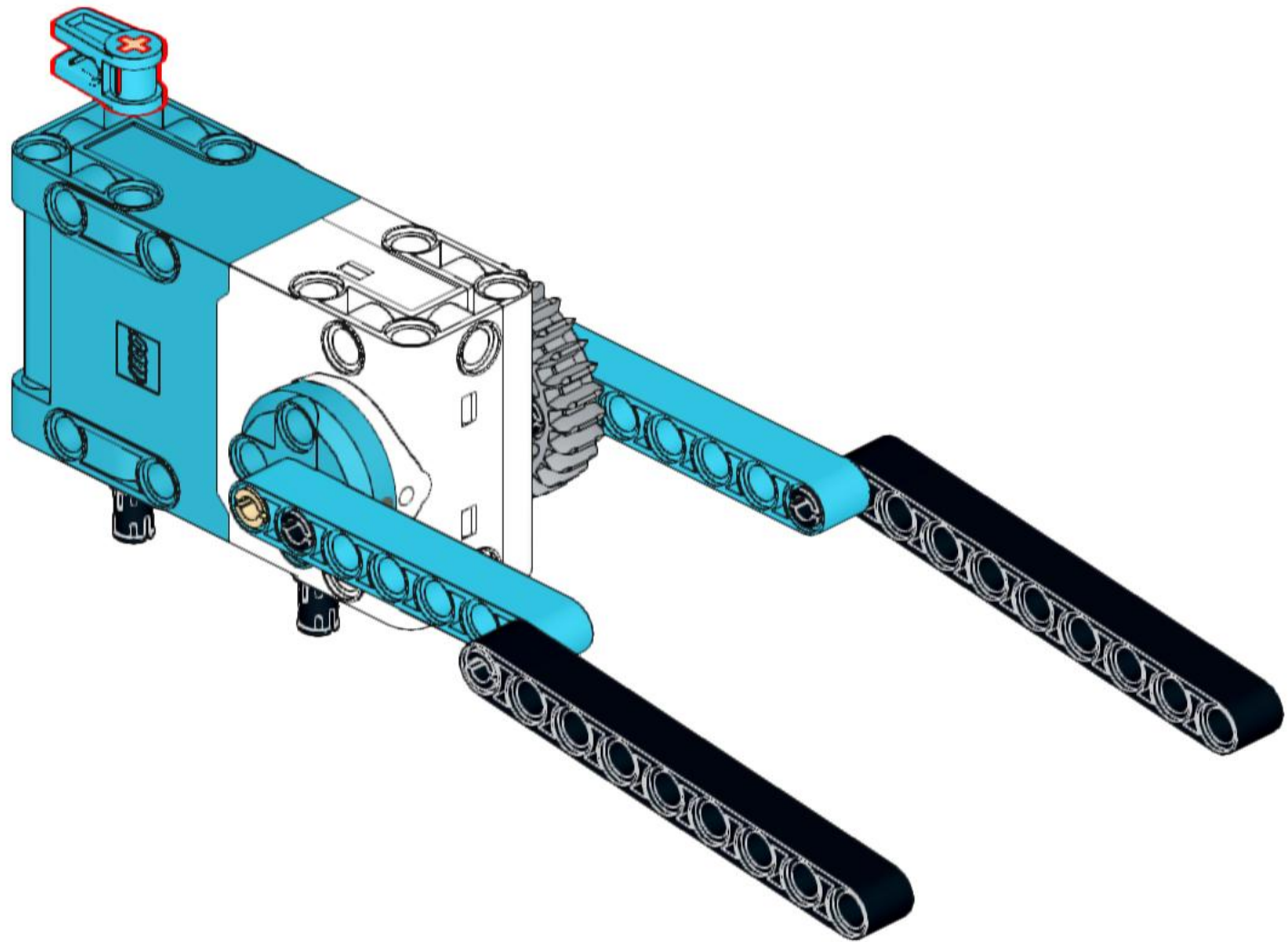
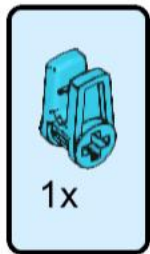
18



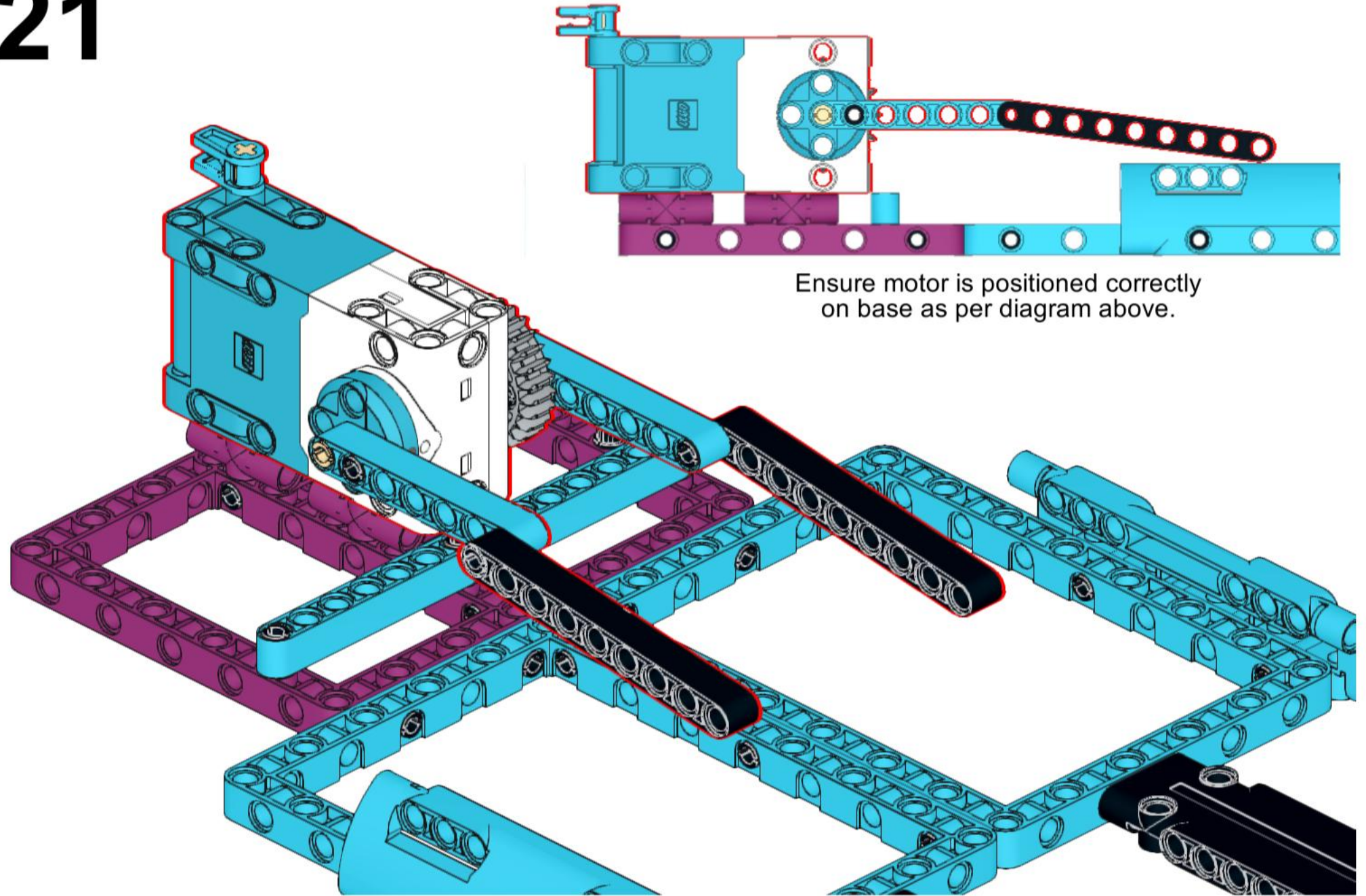
19



20

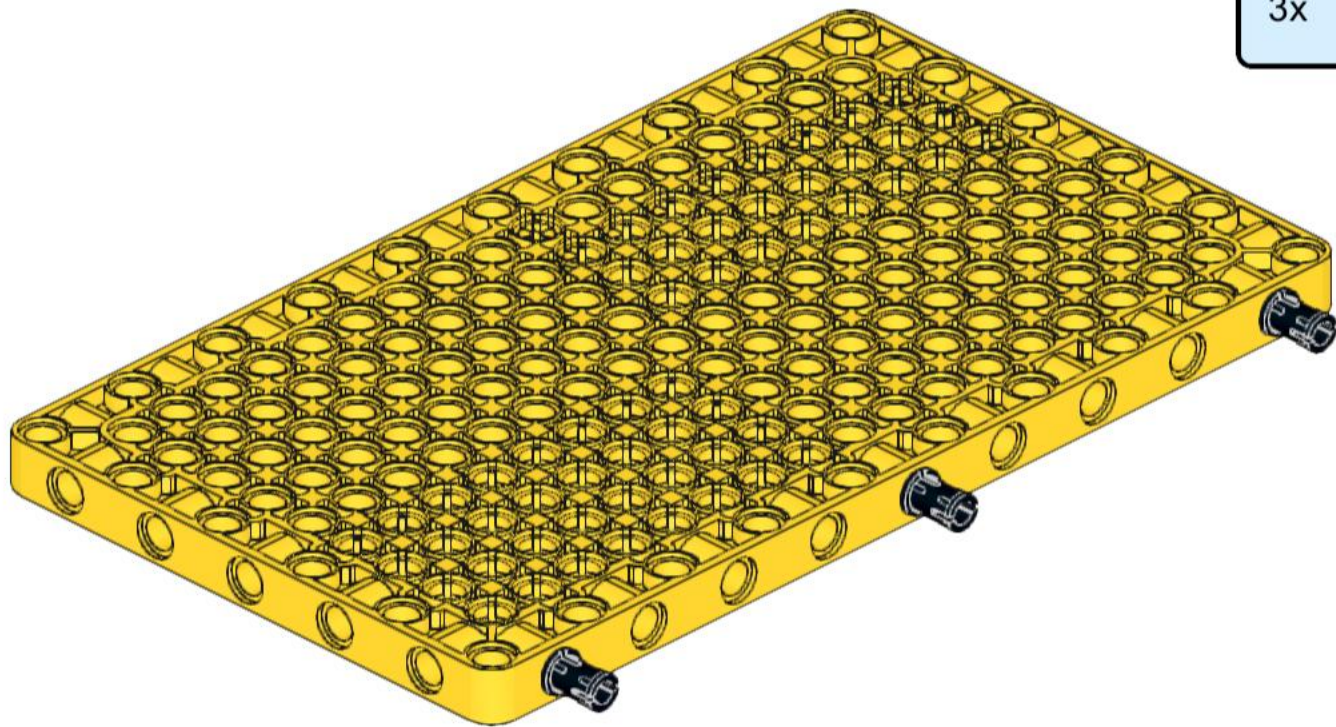


21

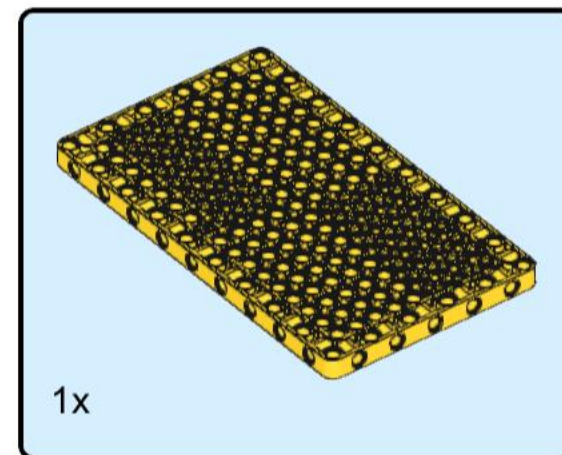
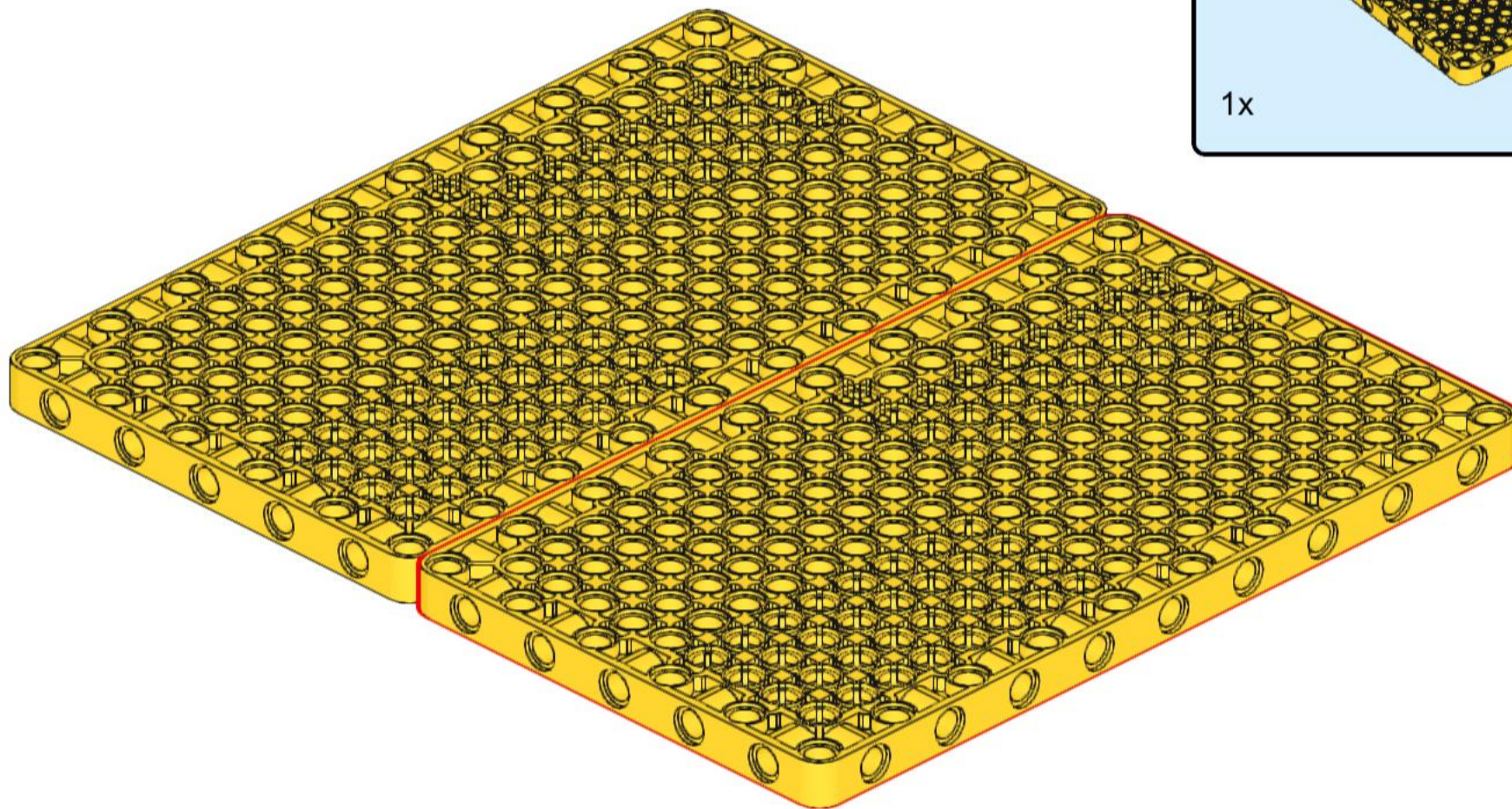


Ensure motor is positioned correctly on base as per diagram above.

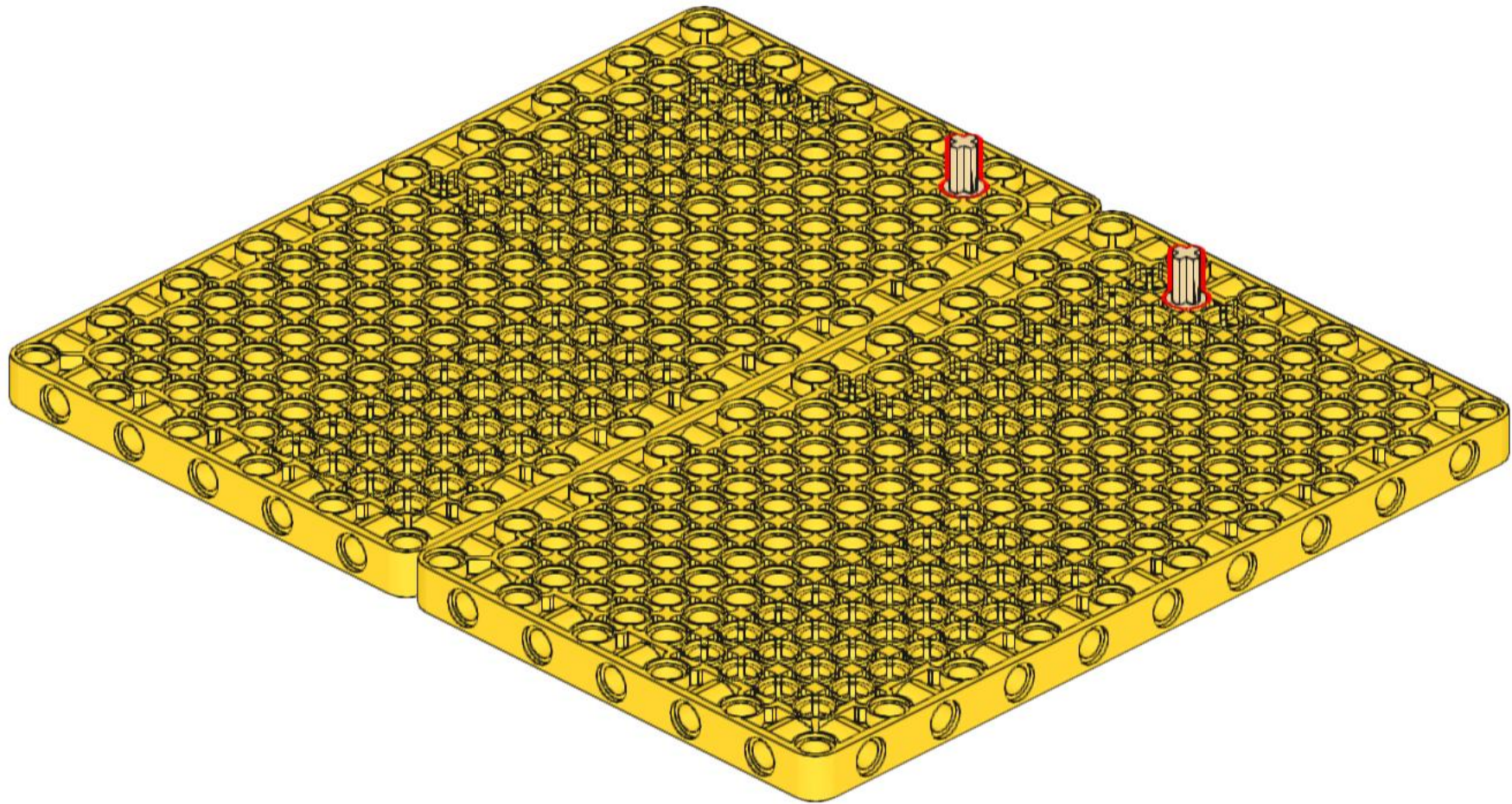
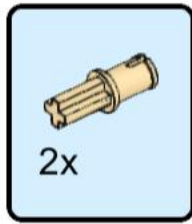
22



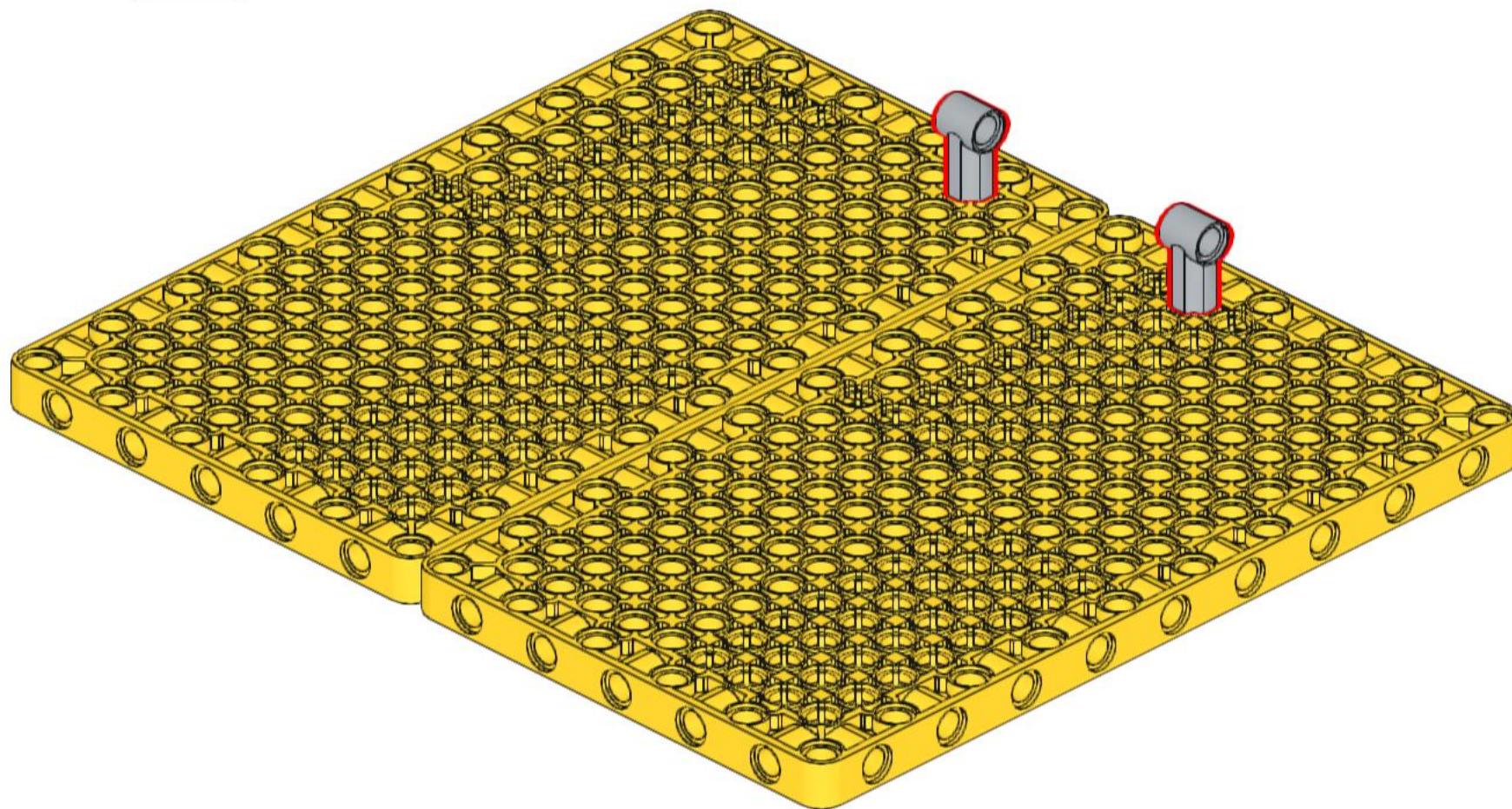
23



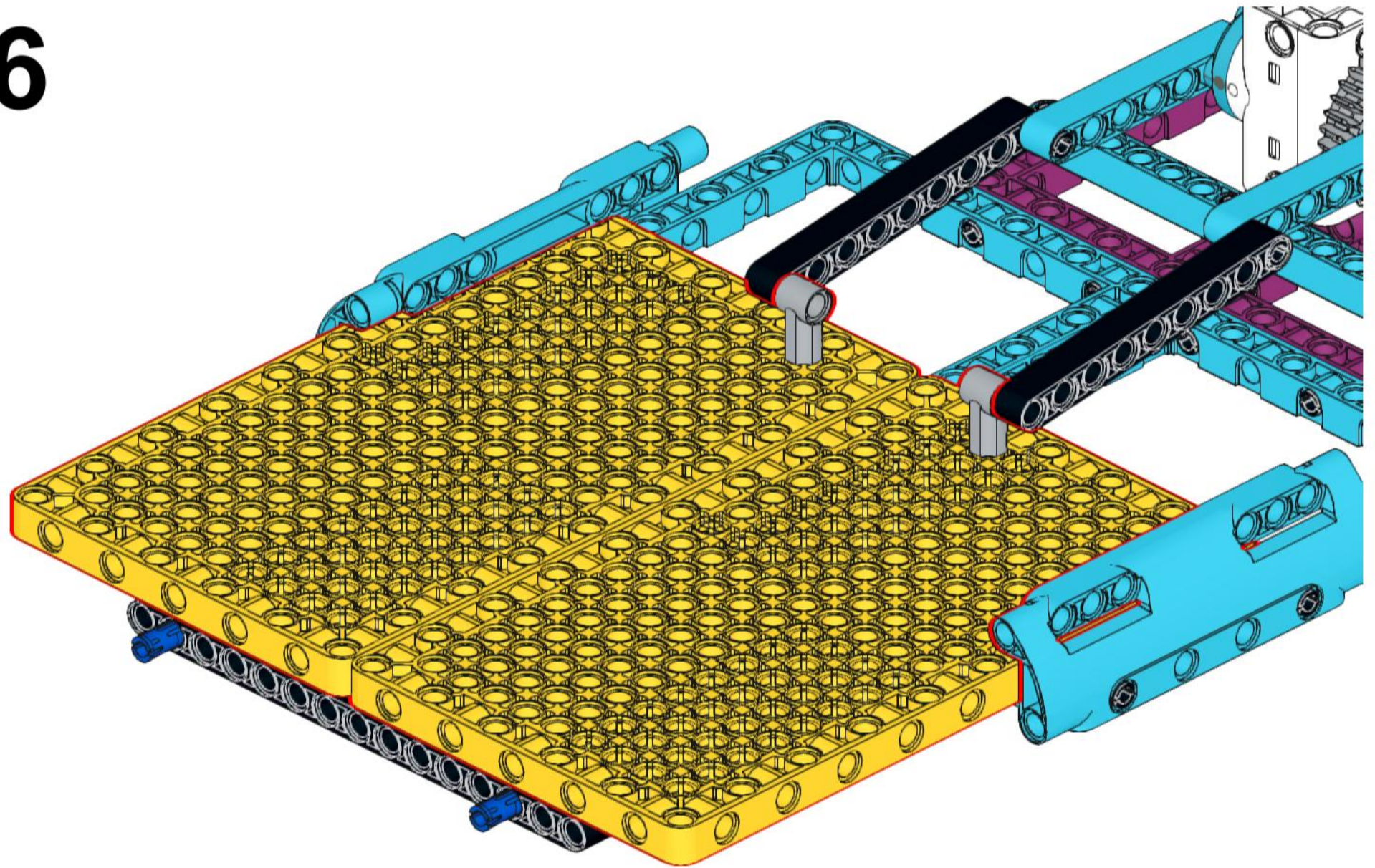
24



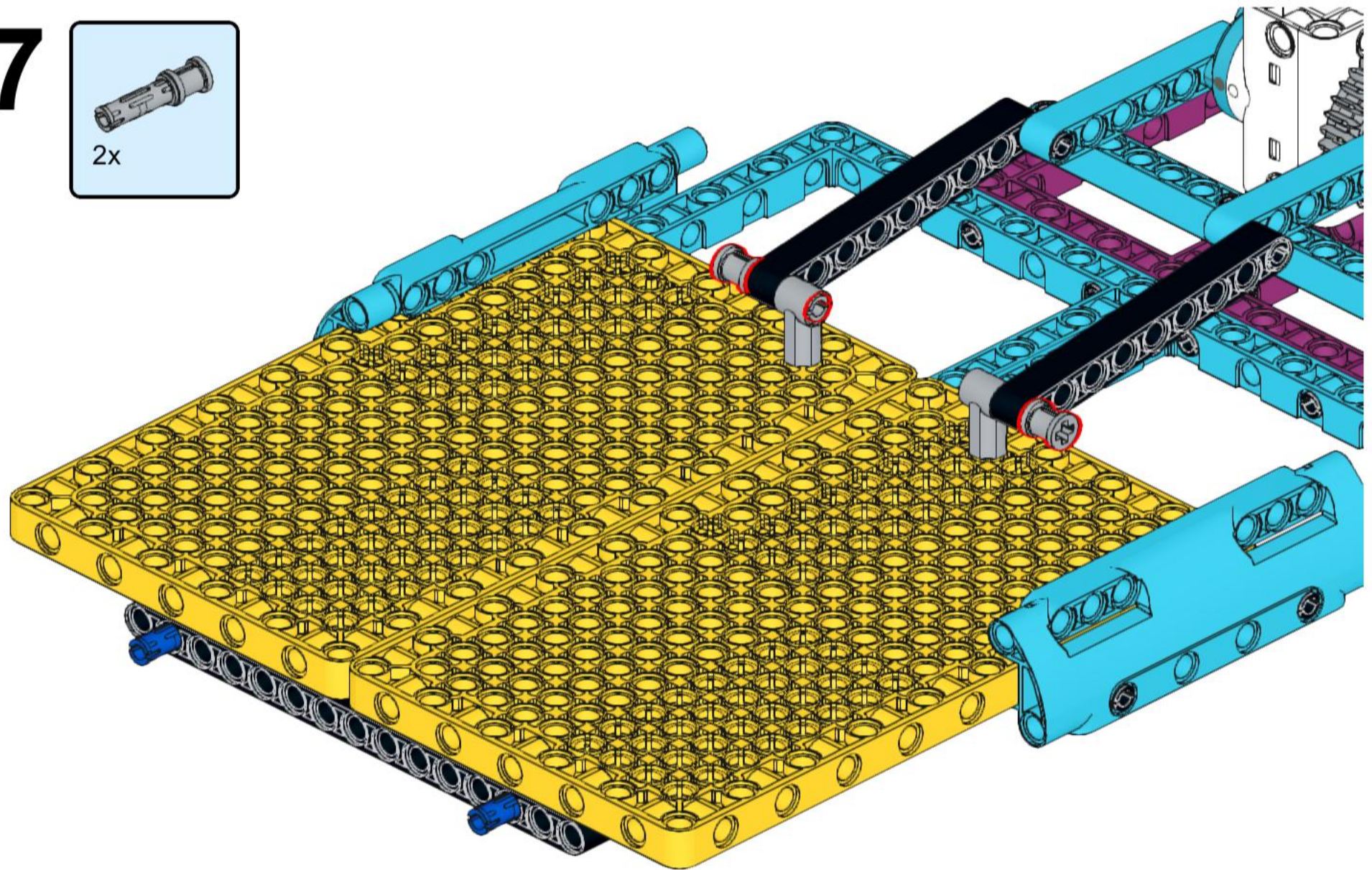
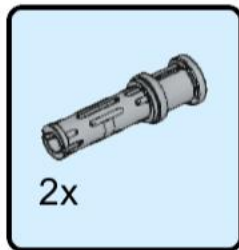
25



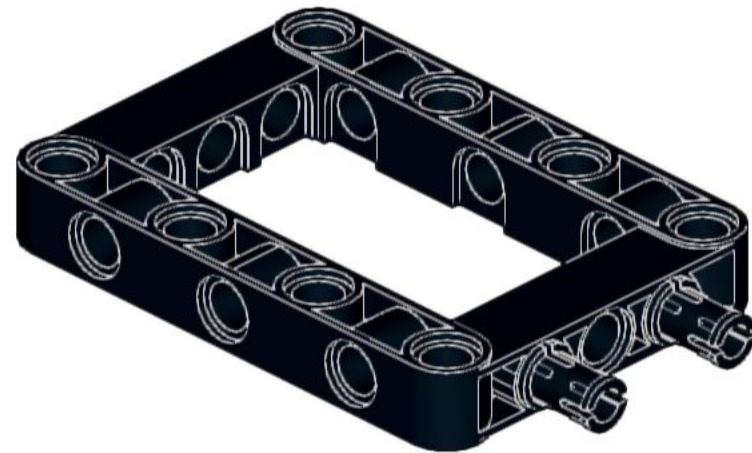
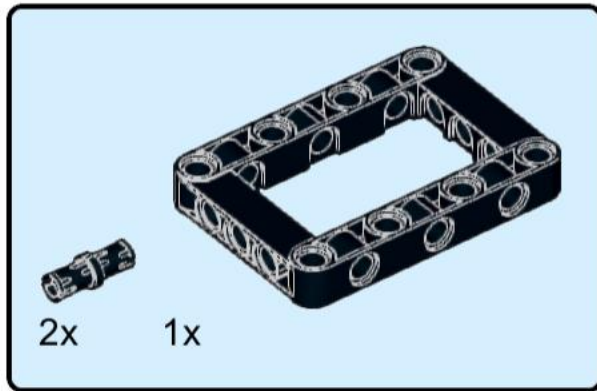
26



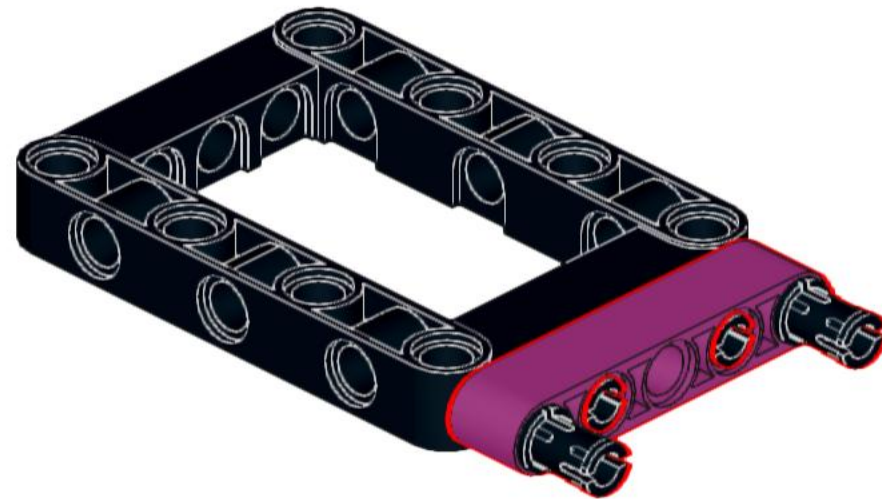
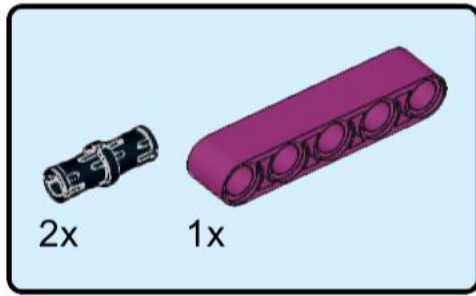
27



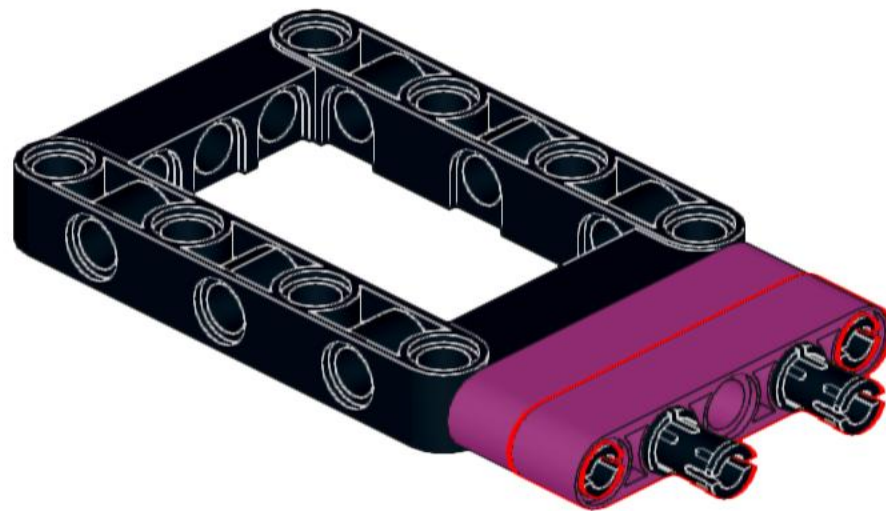
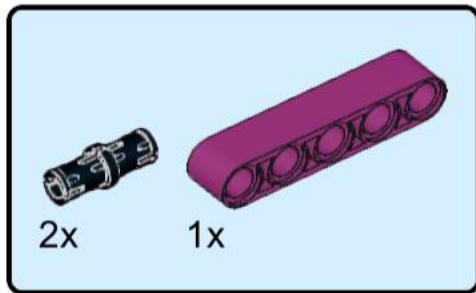
28



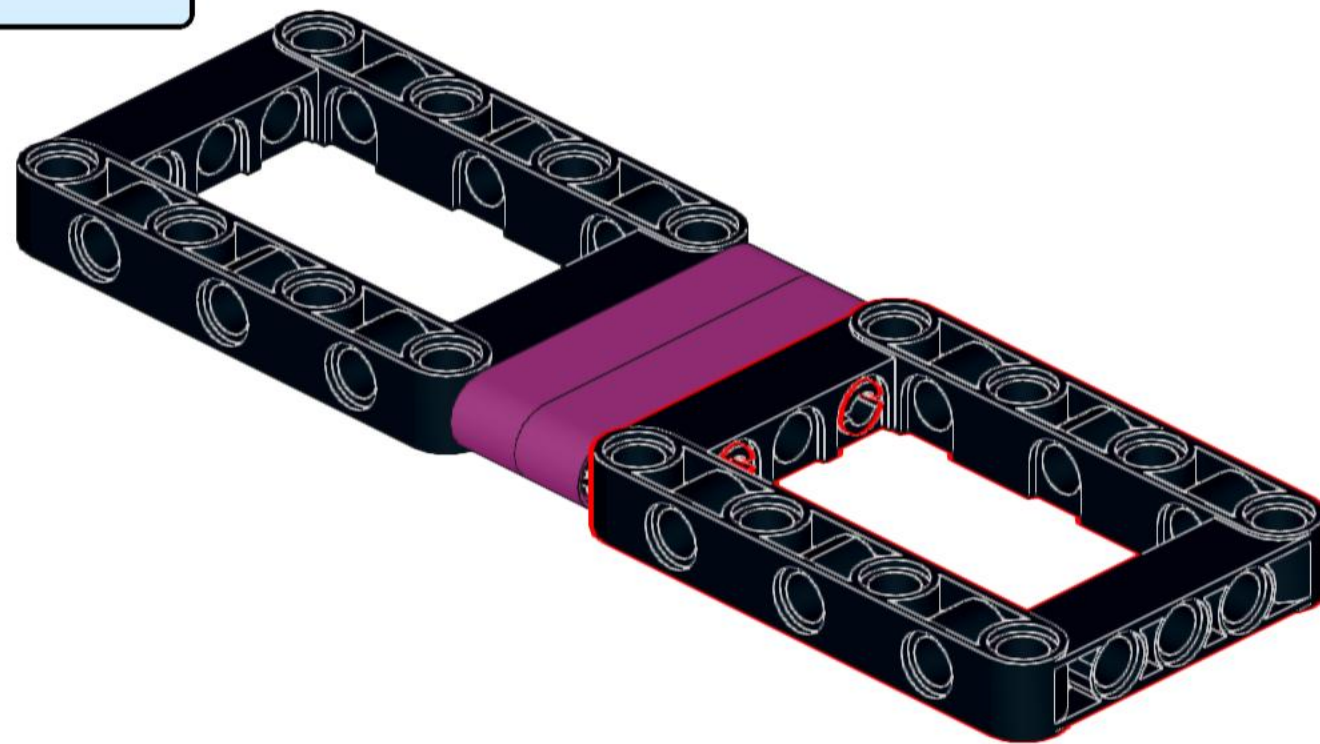
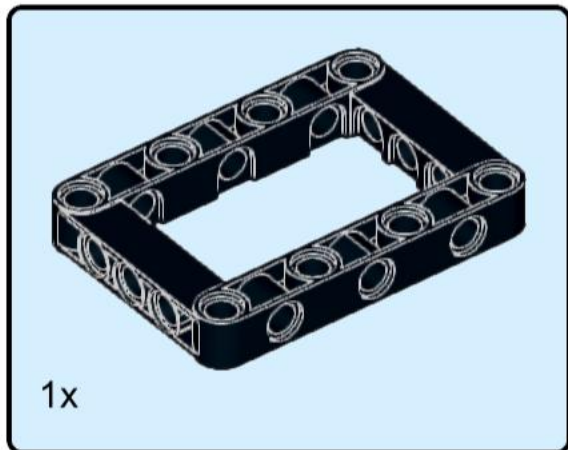
29



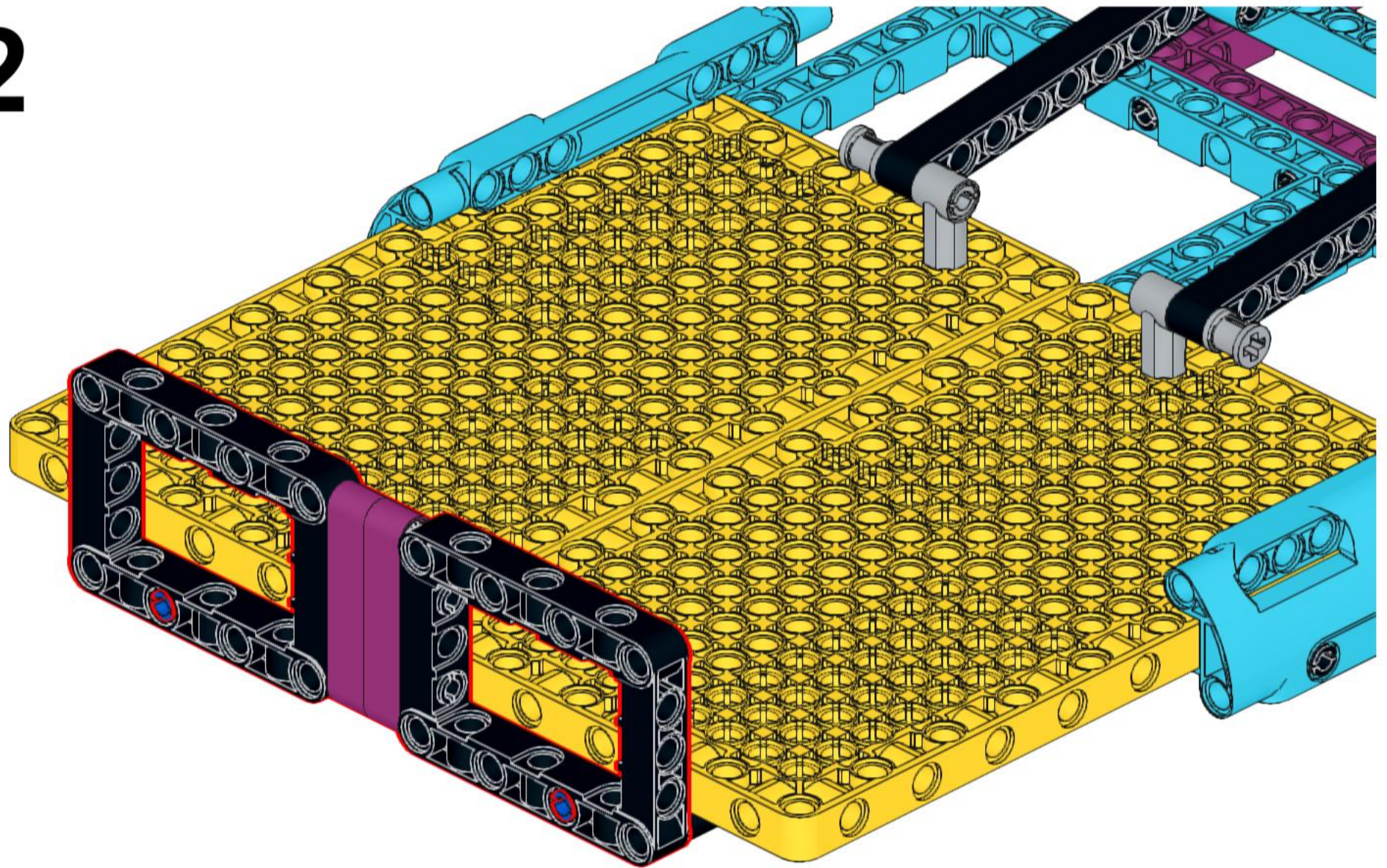
30



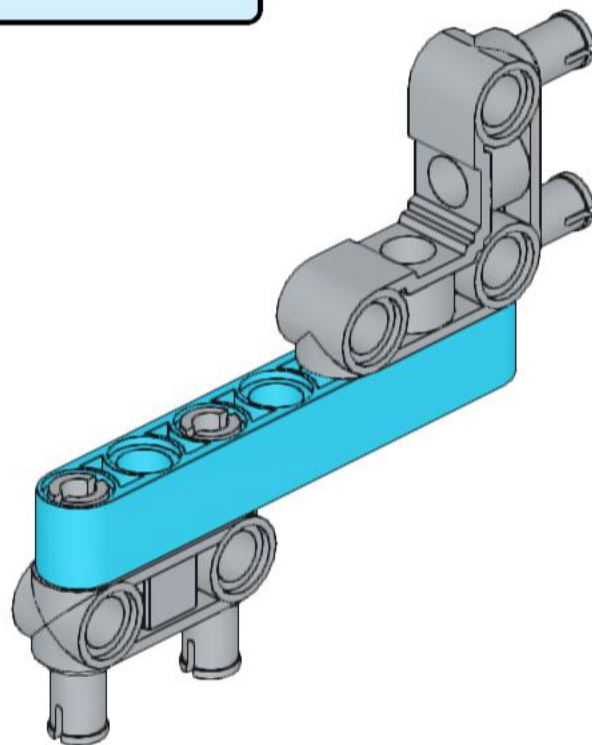
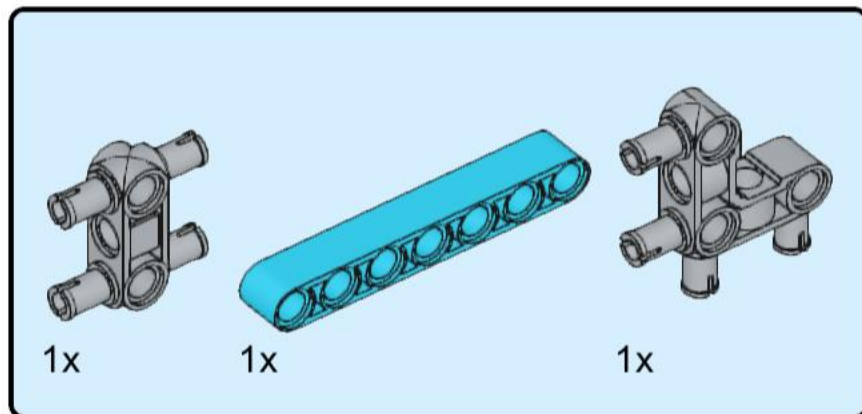
31



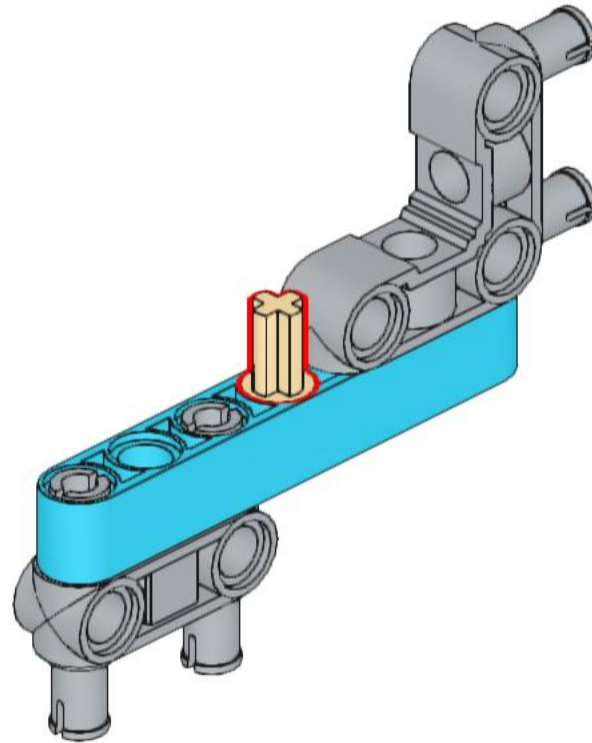
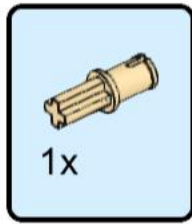
32



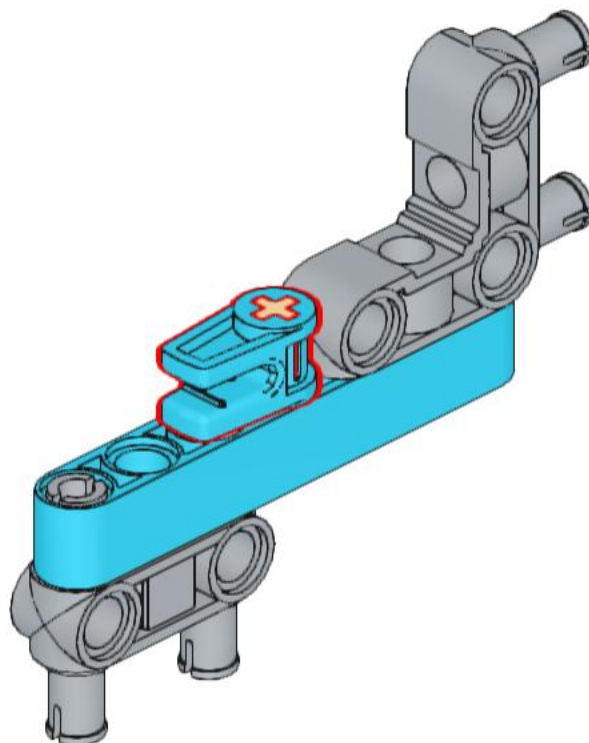
33



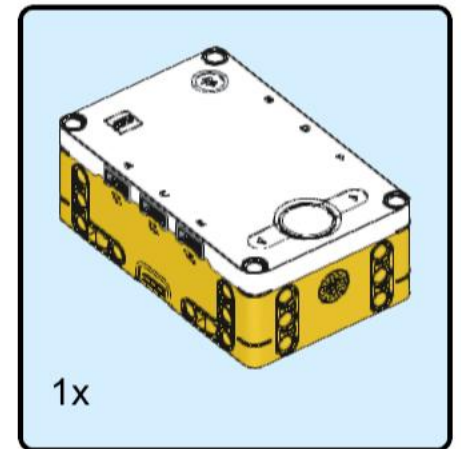
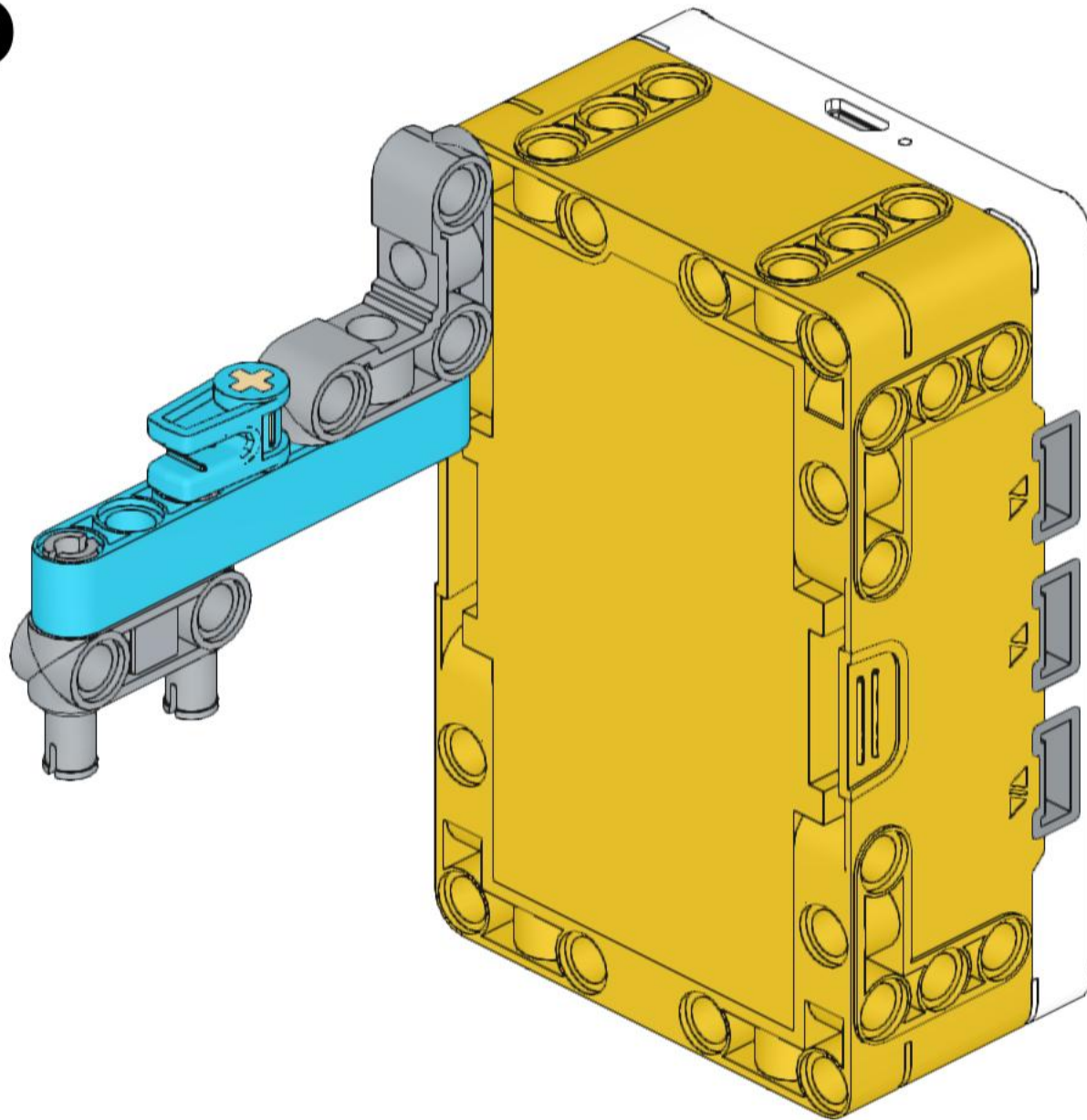
34

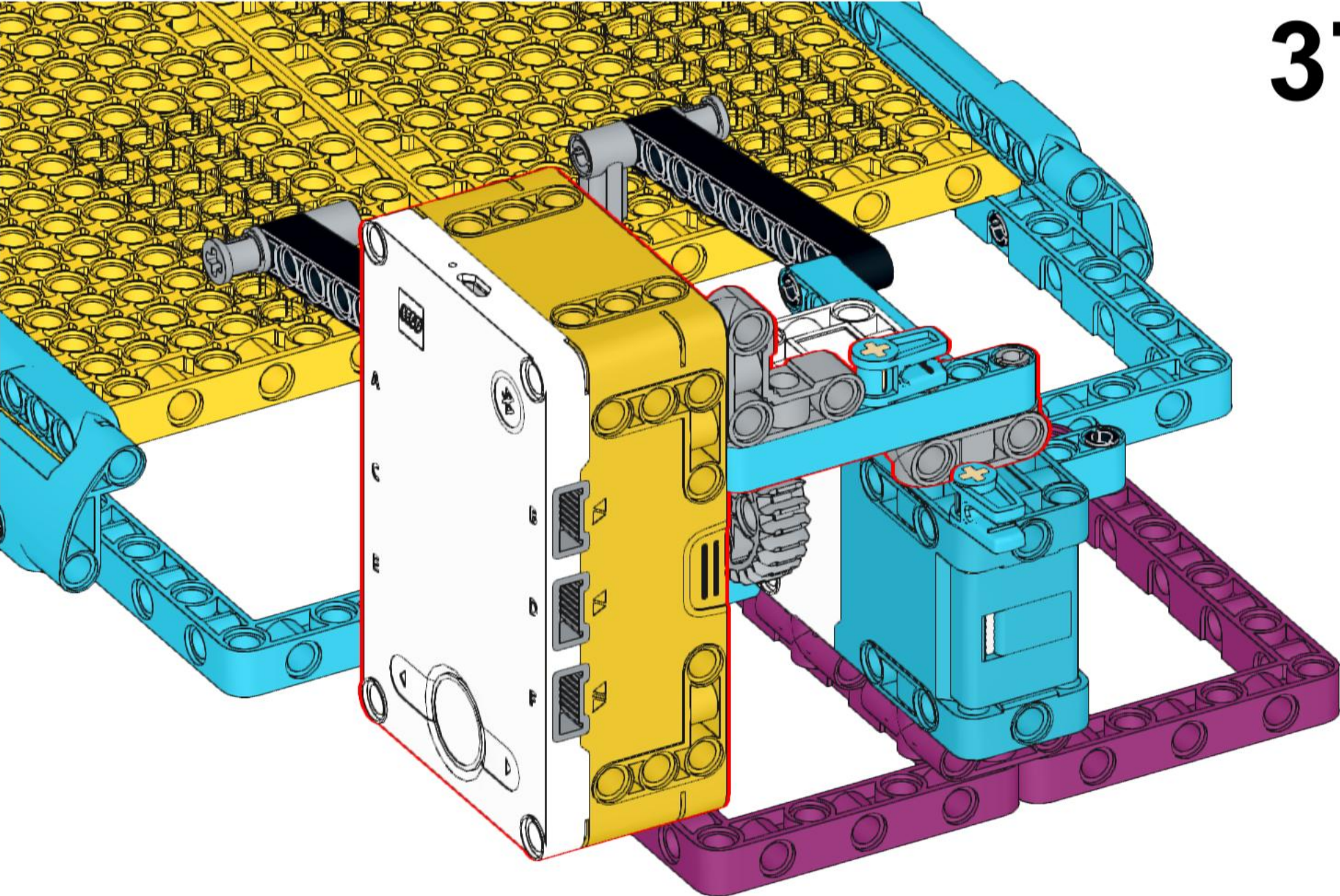


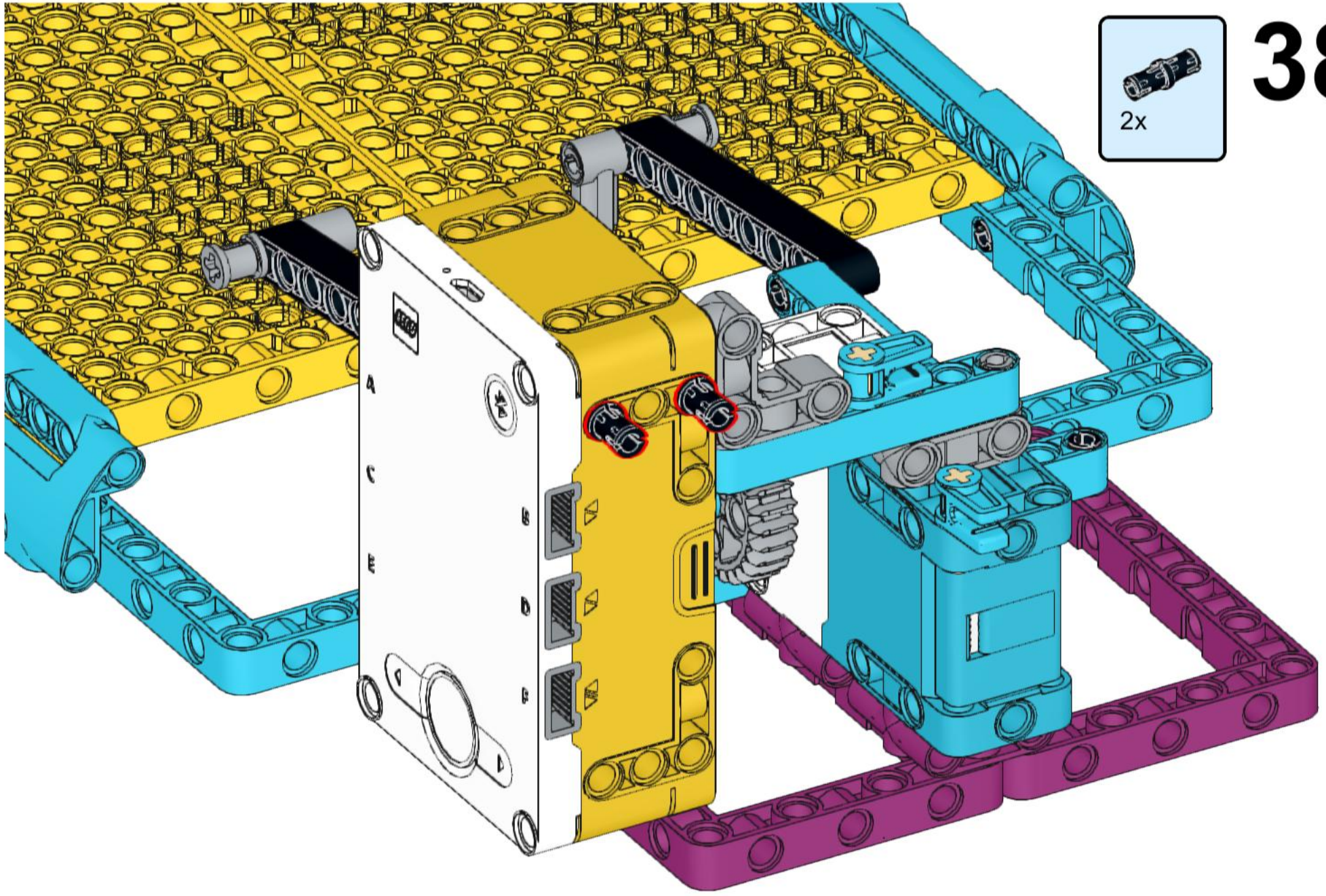
35



36



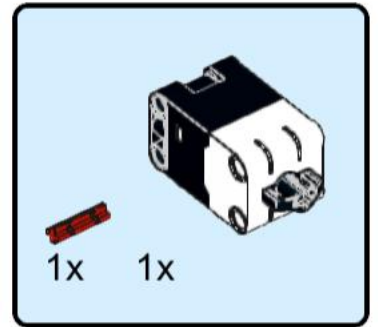
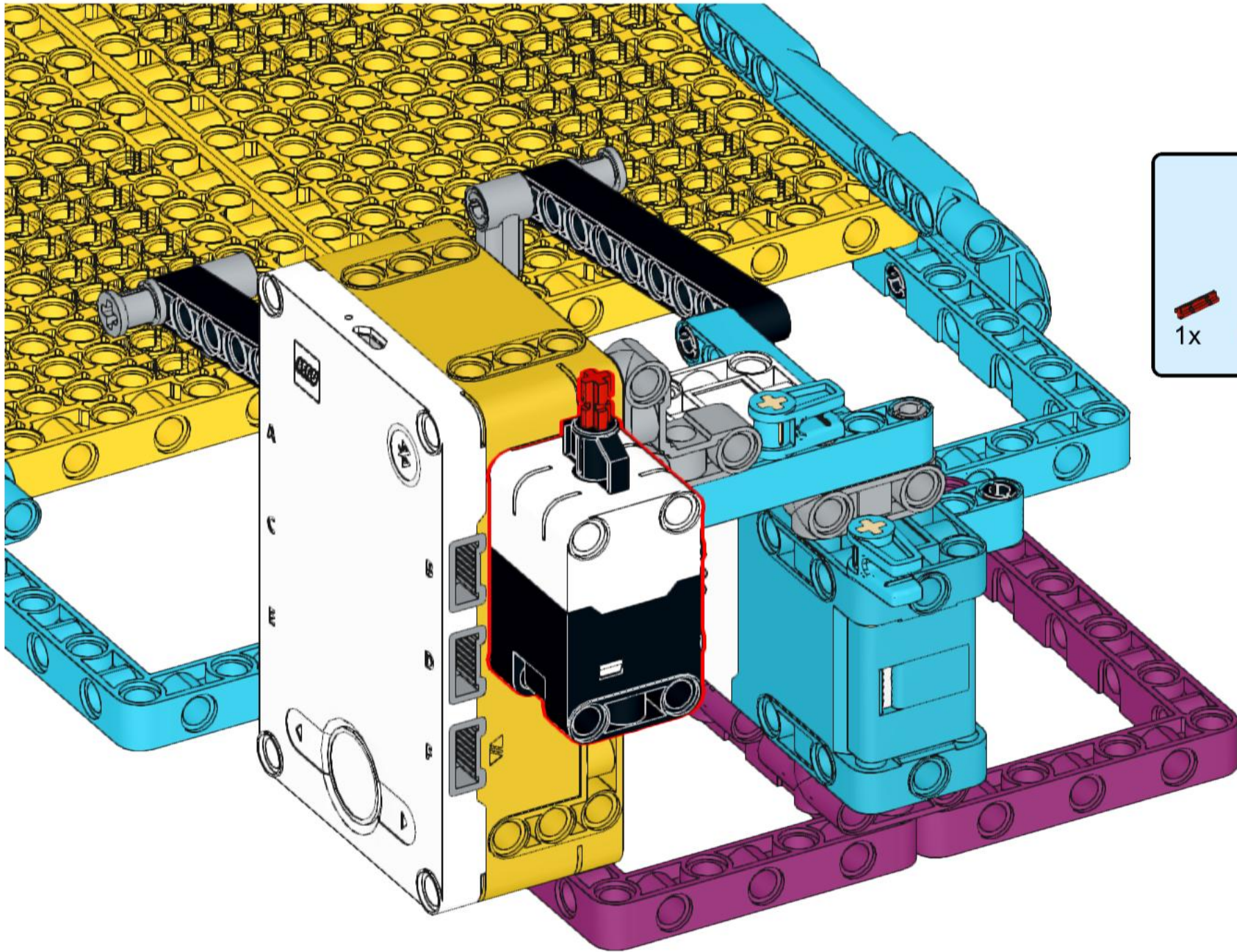




2x

38

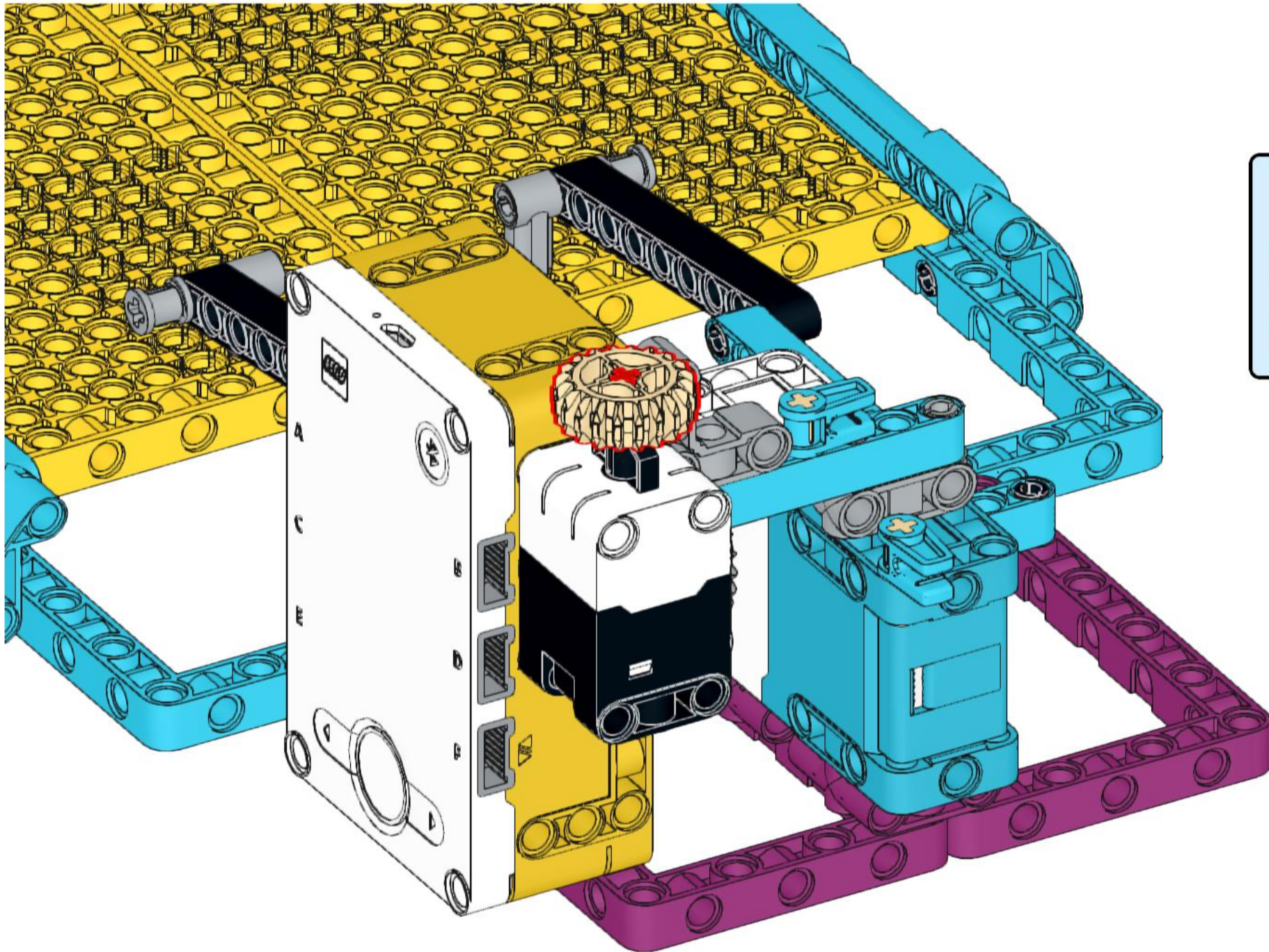
39



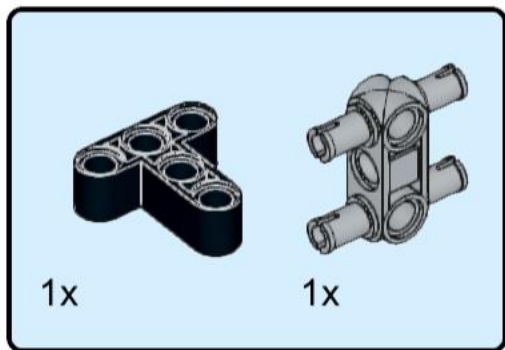
40



1x

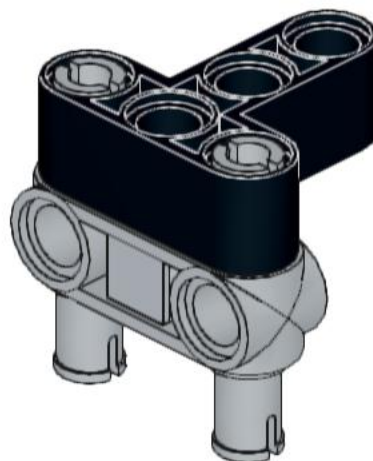


41



x4

Build 4 of these so you can use them to hold the structure on the base.



42

Position these 4 pieces around your structure once it is placed on the base to stop it sliding off.

