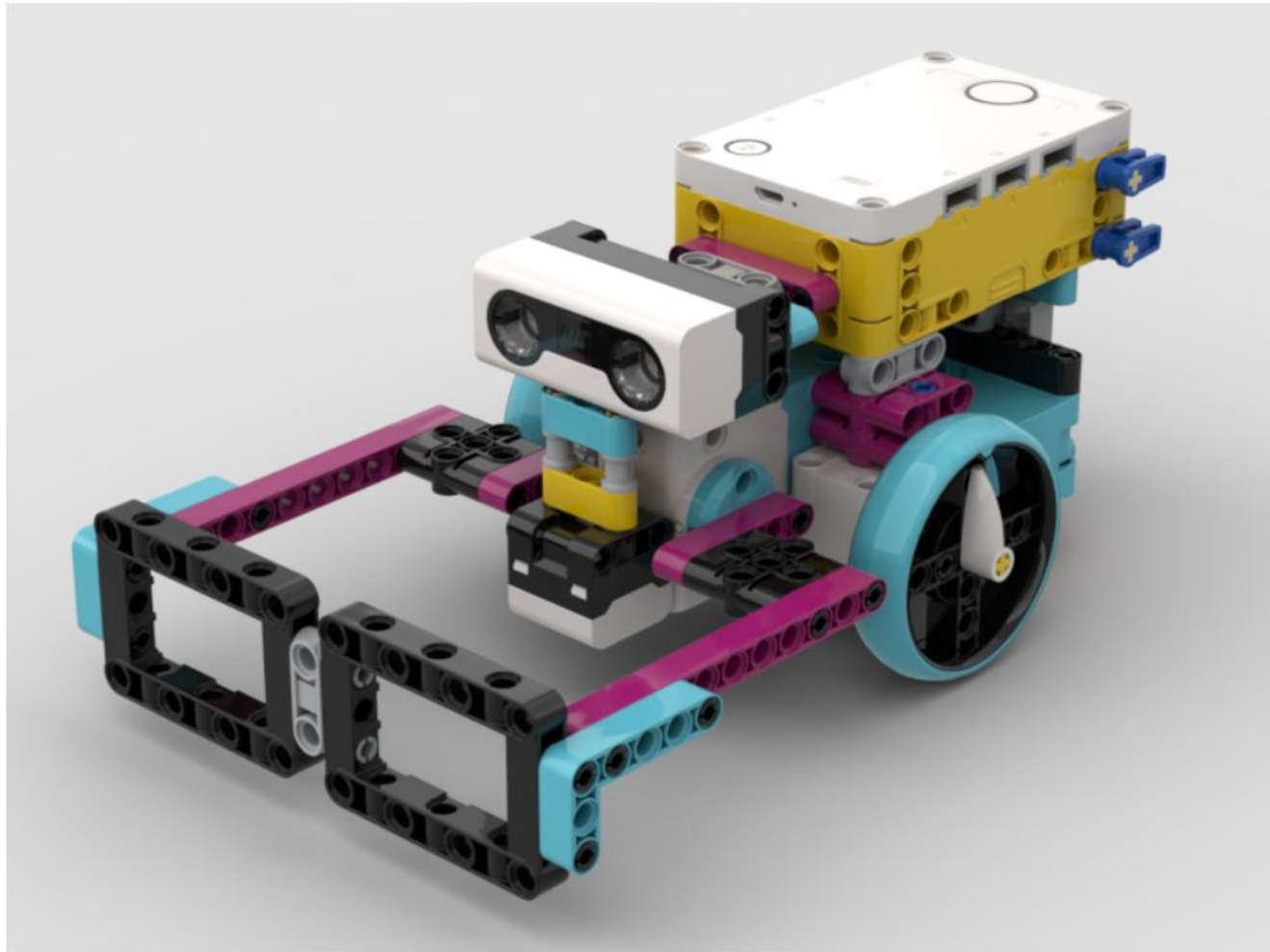
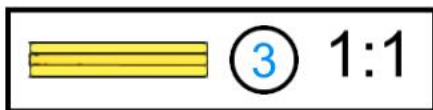
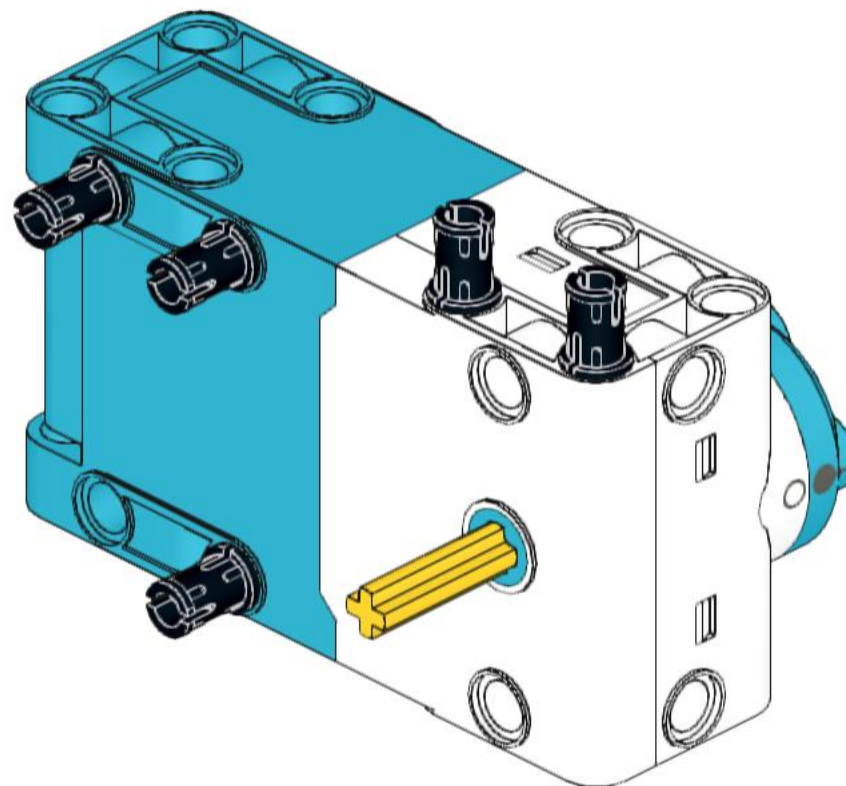
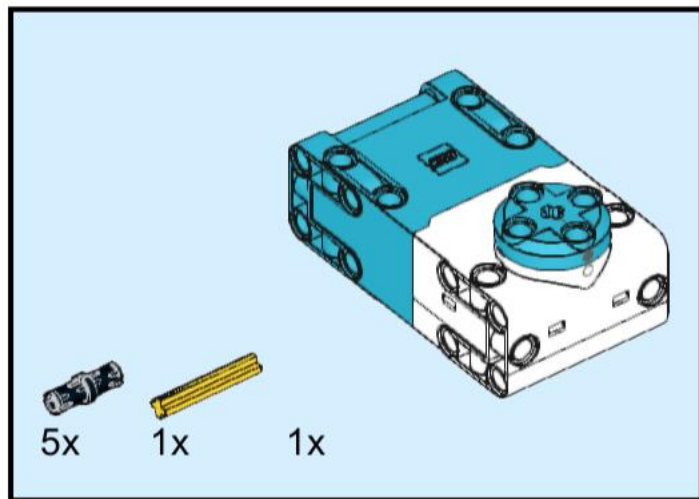


Lesson 3 - Robot Design Upgrade

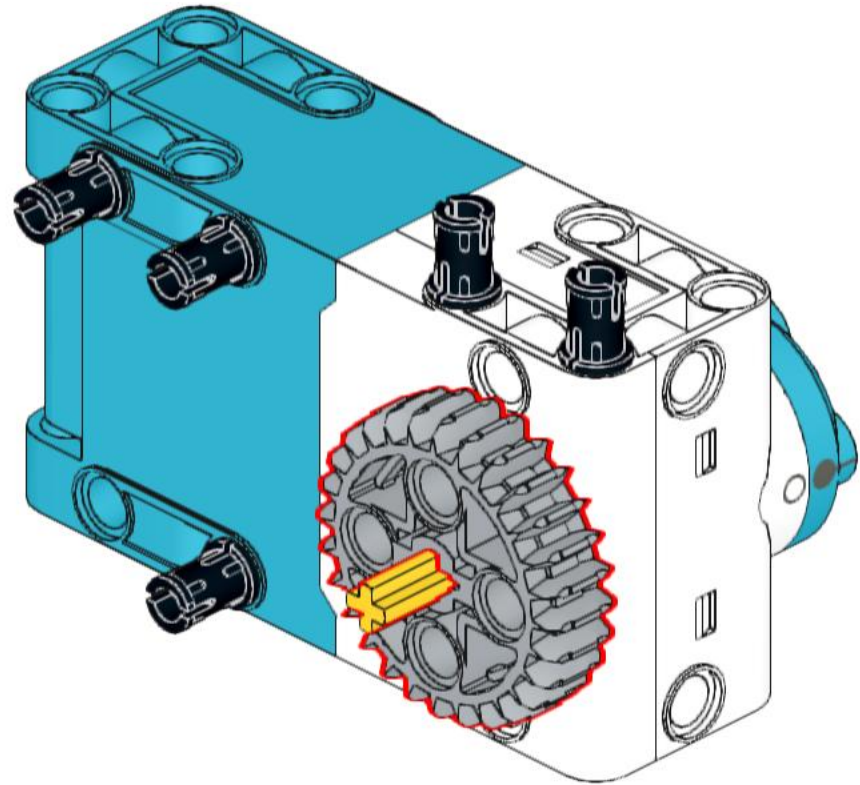
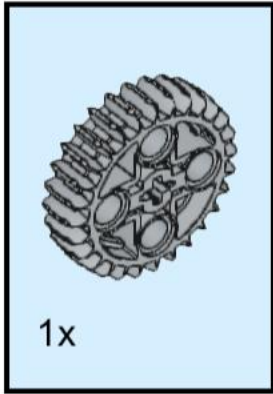


Building Instructions

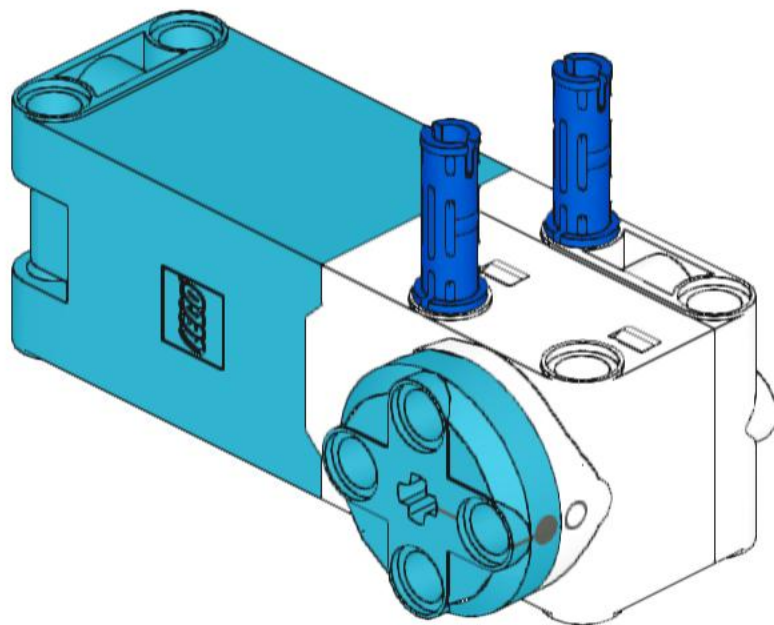
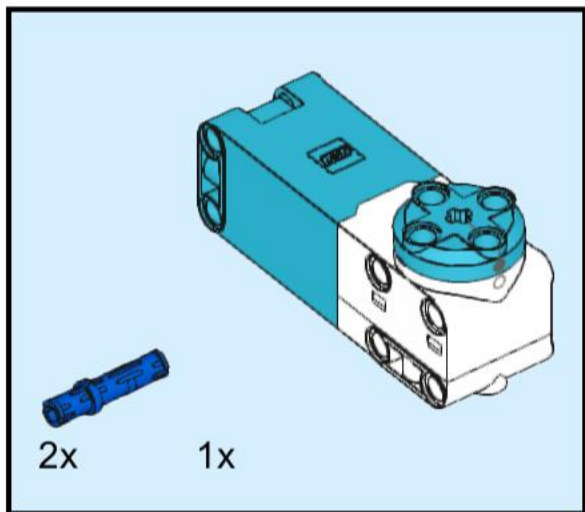
1



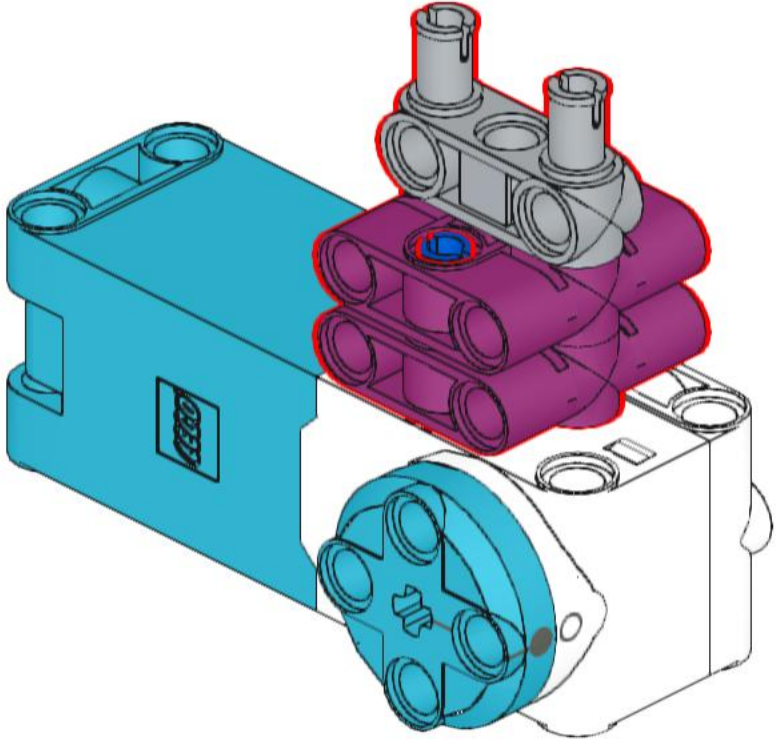
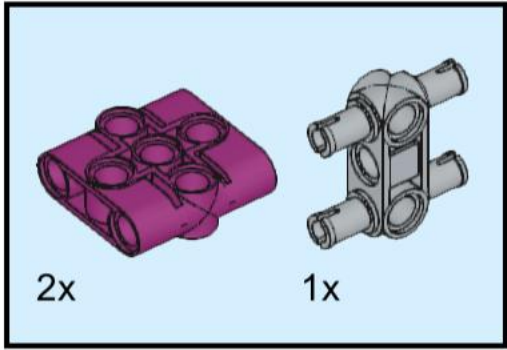
2



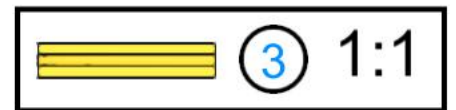
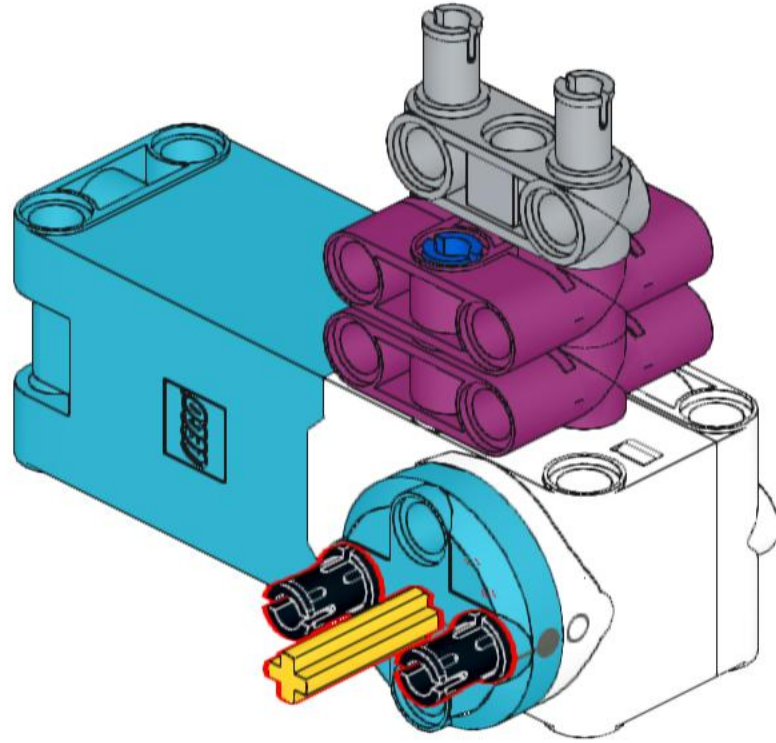
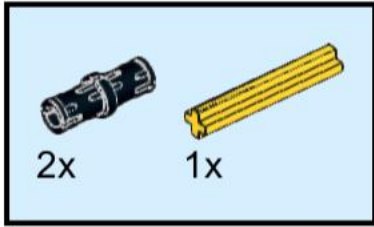
3



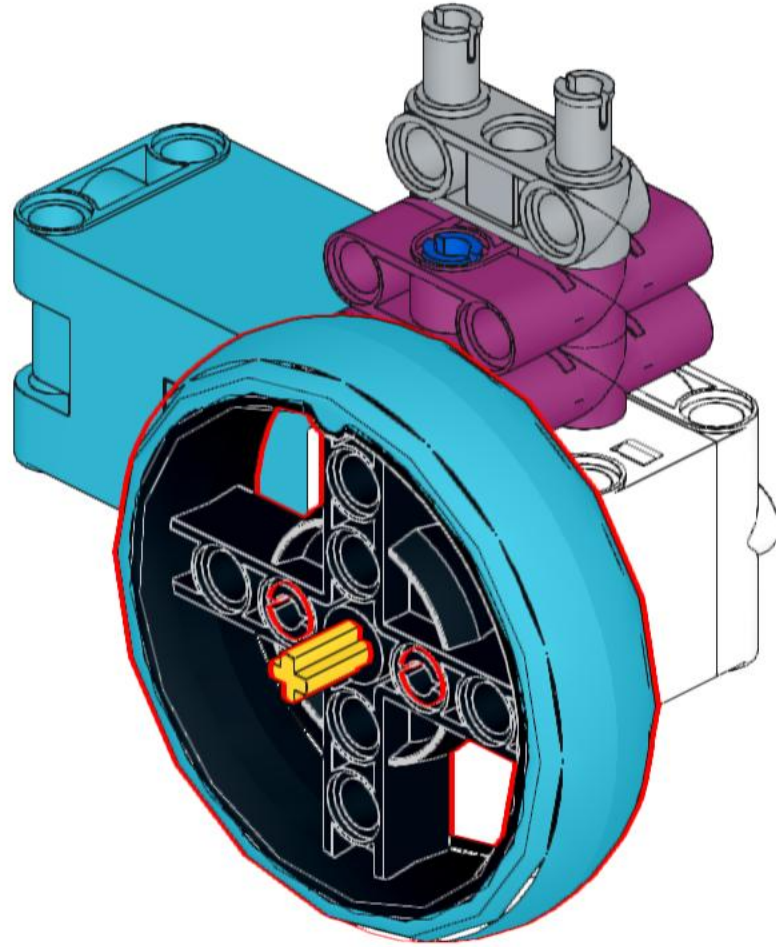
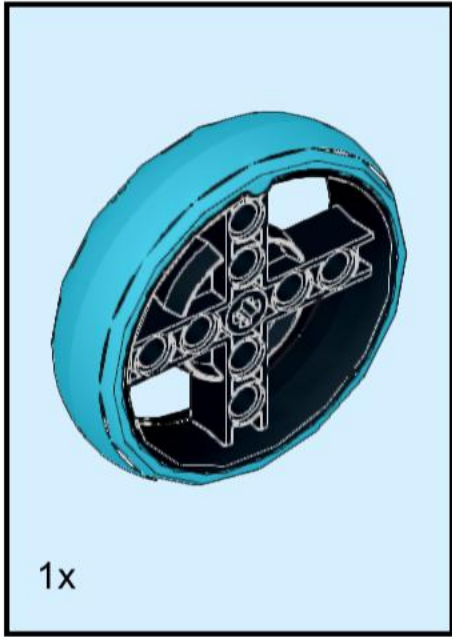
4



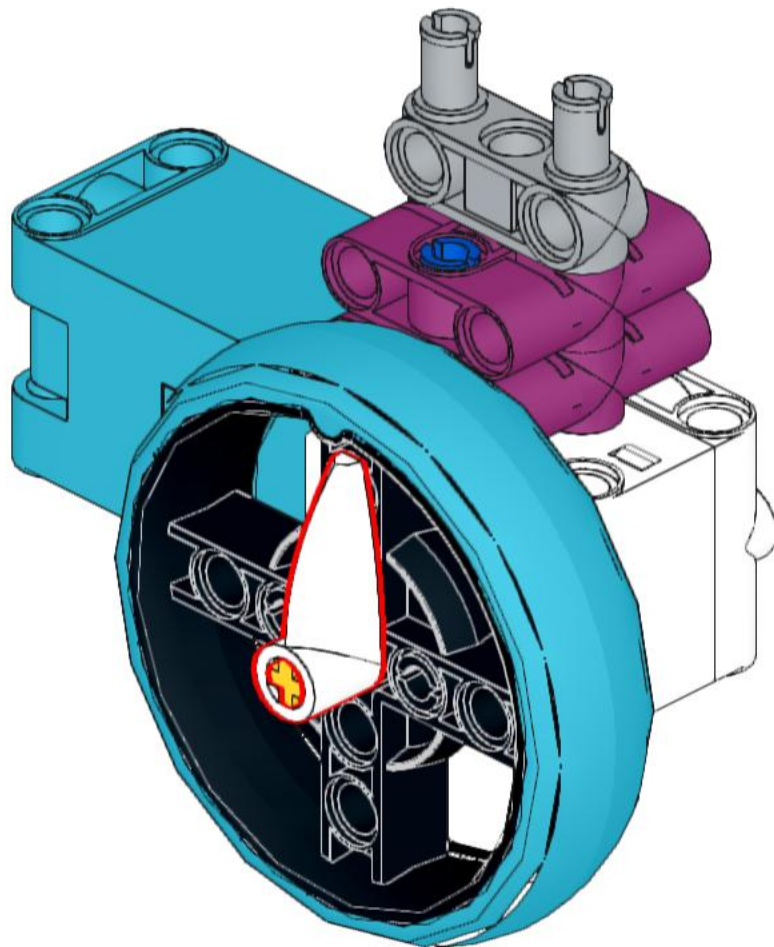
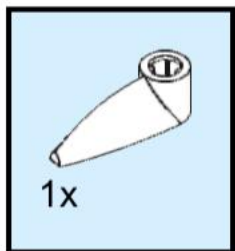
5



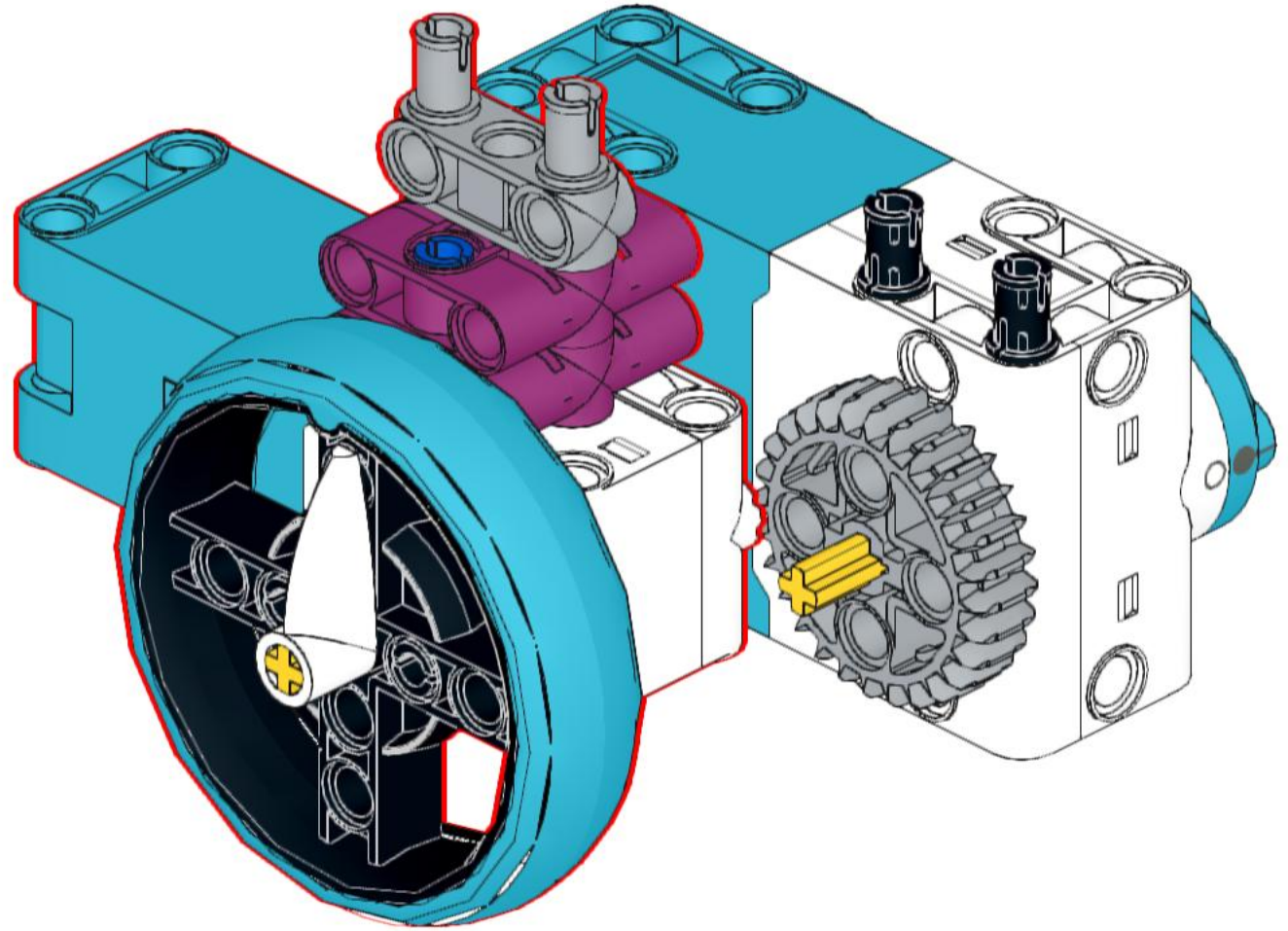
6



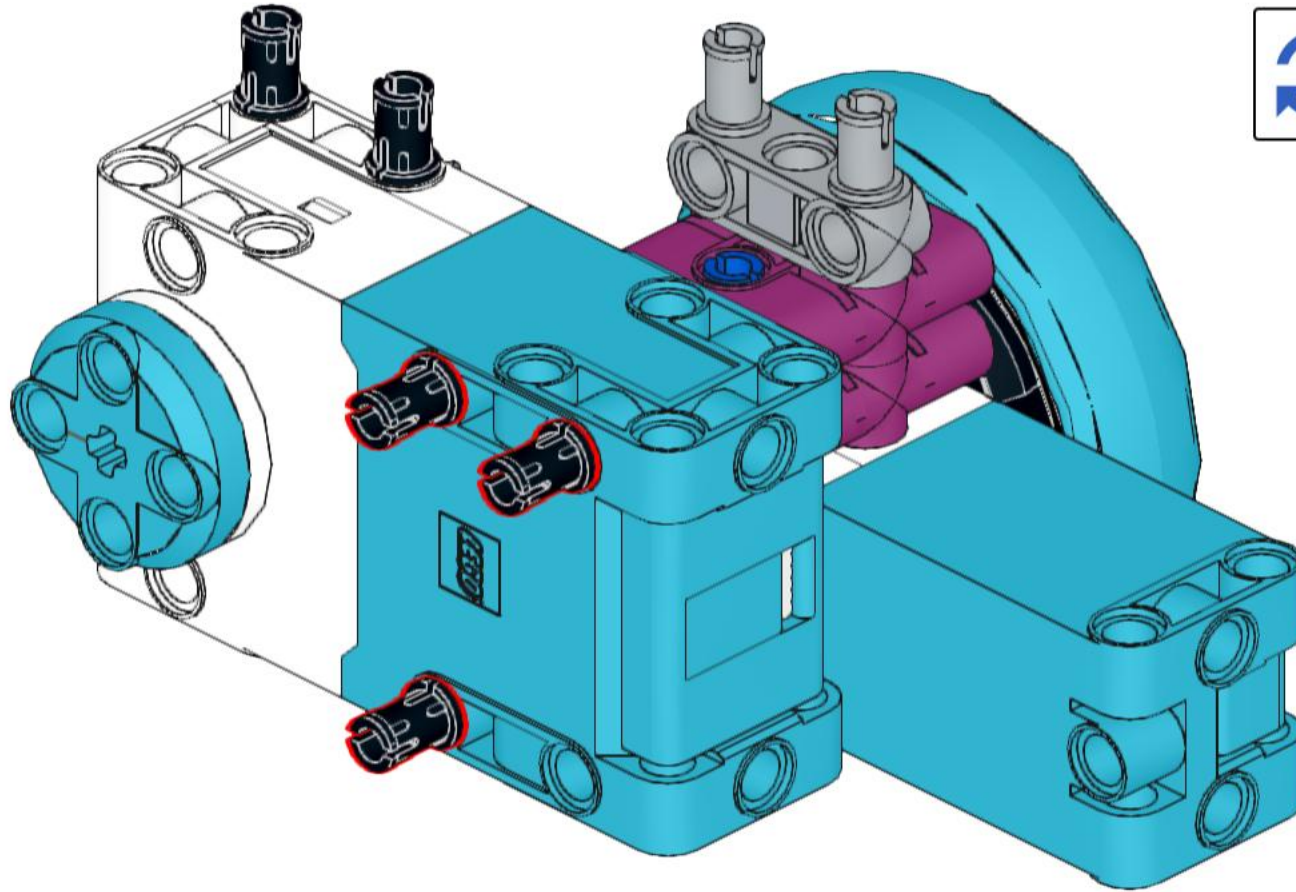
7



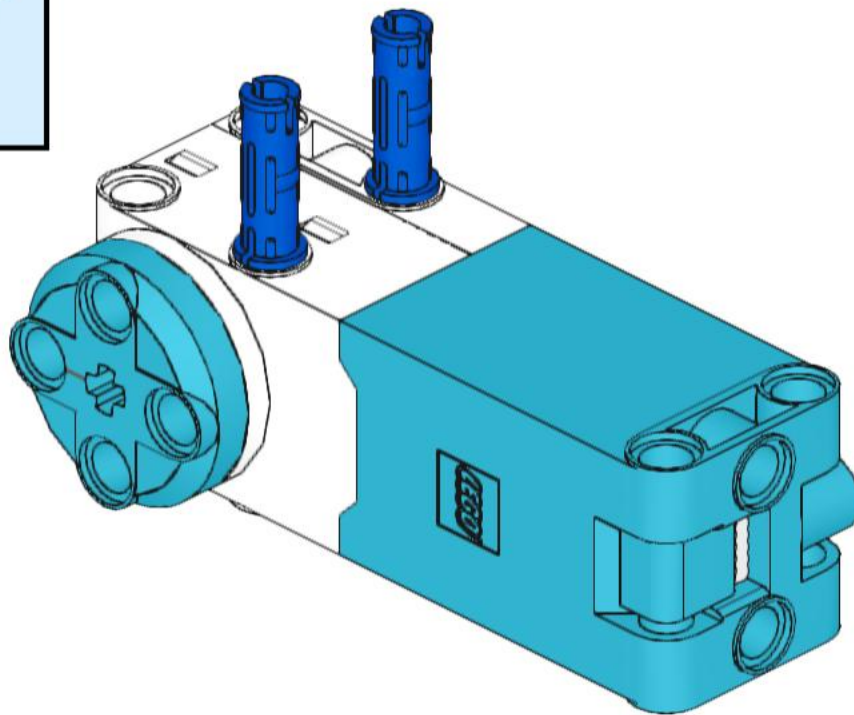
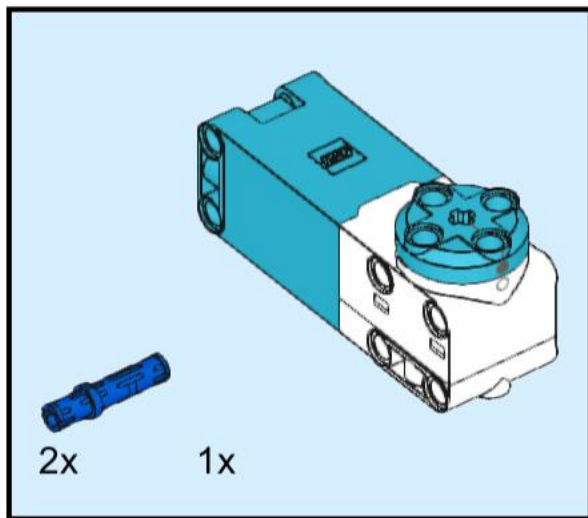
8



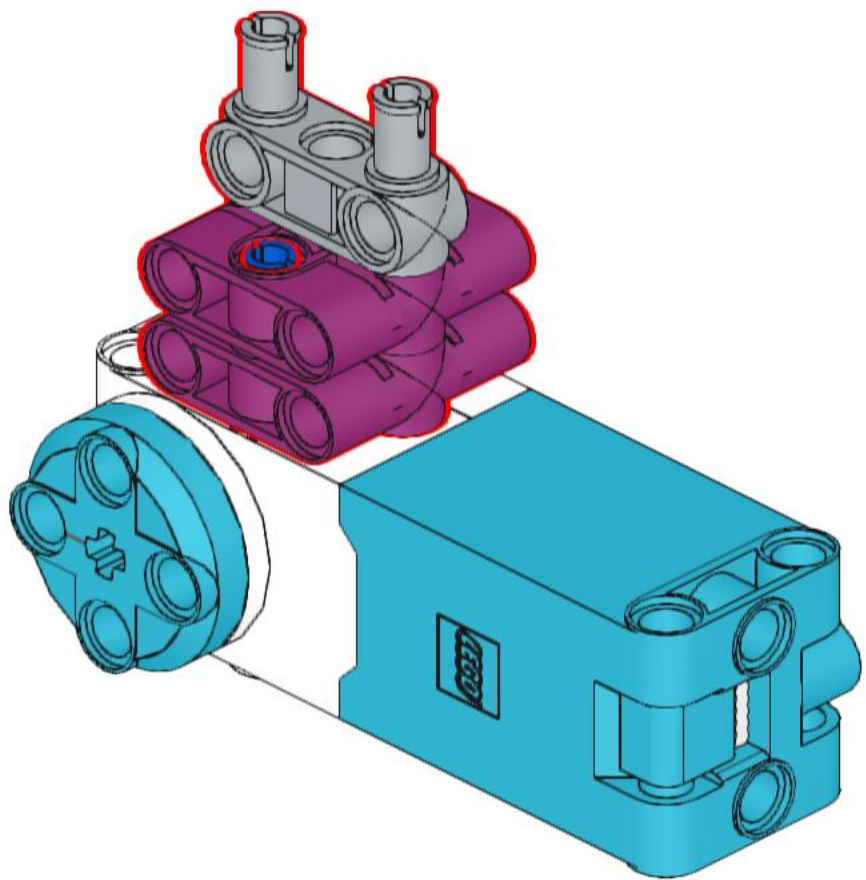
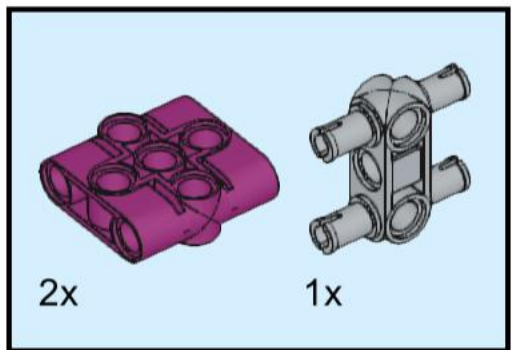
9



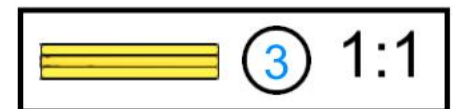
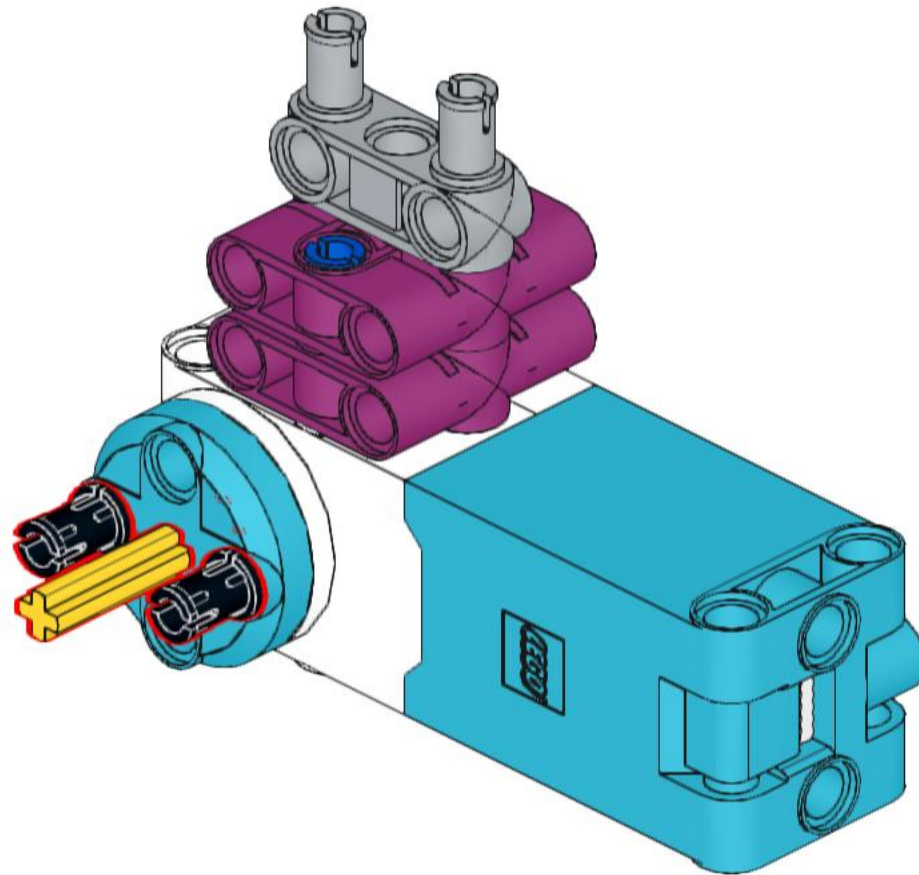
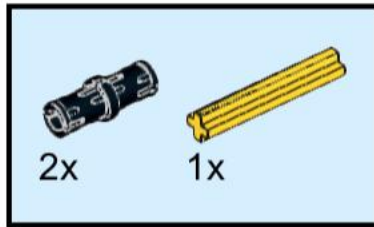
10



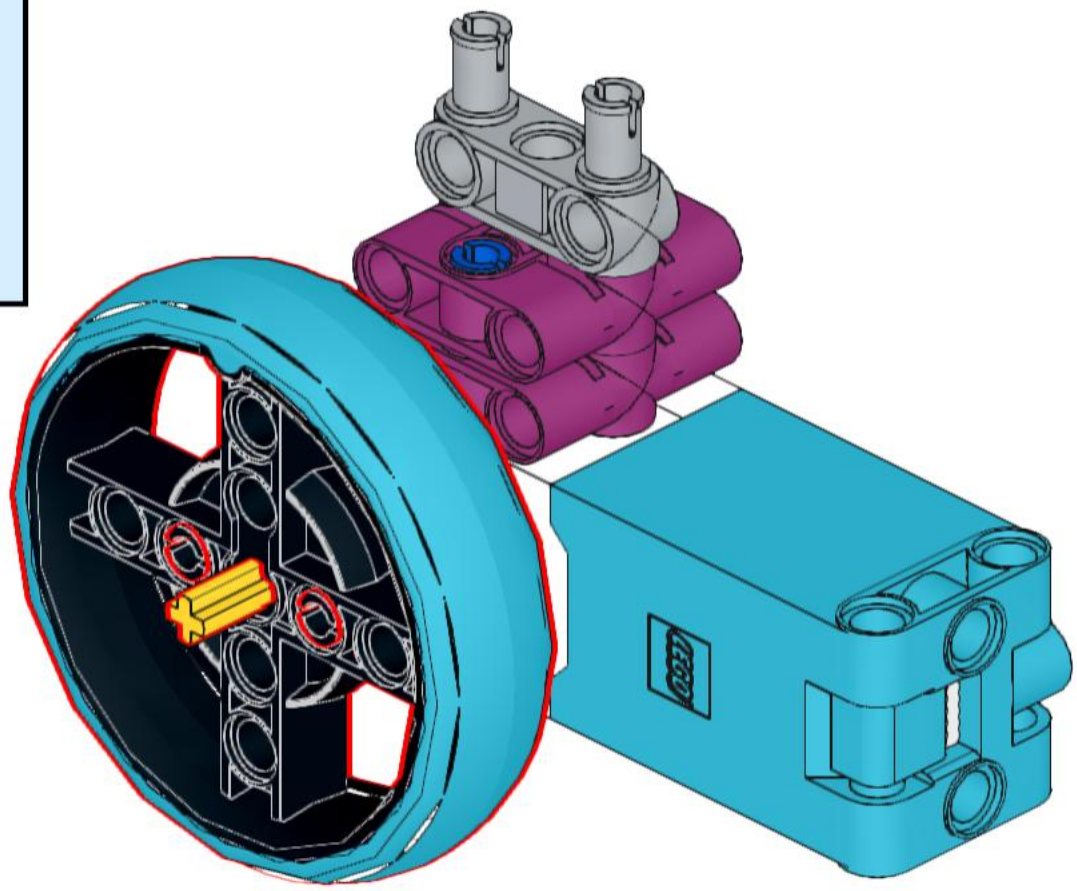
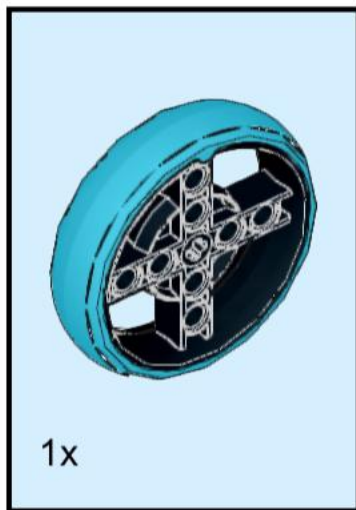
11



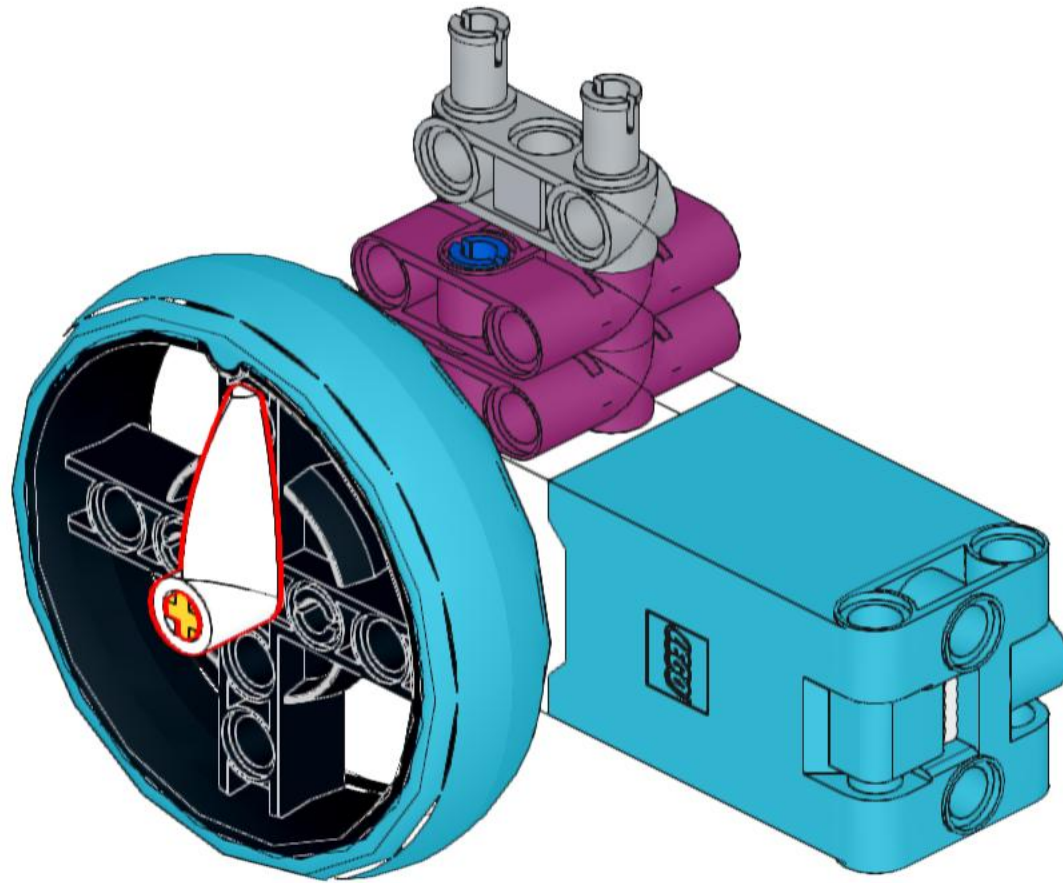
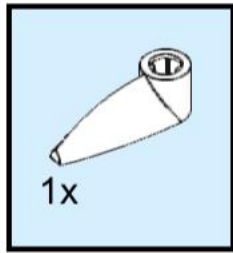
12



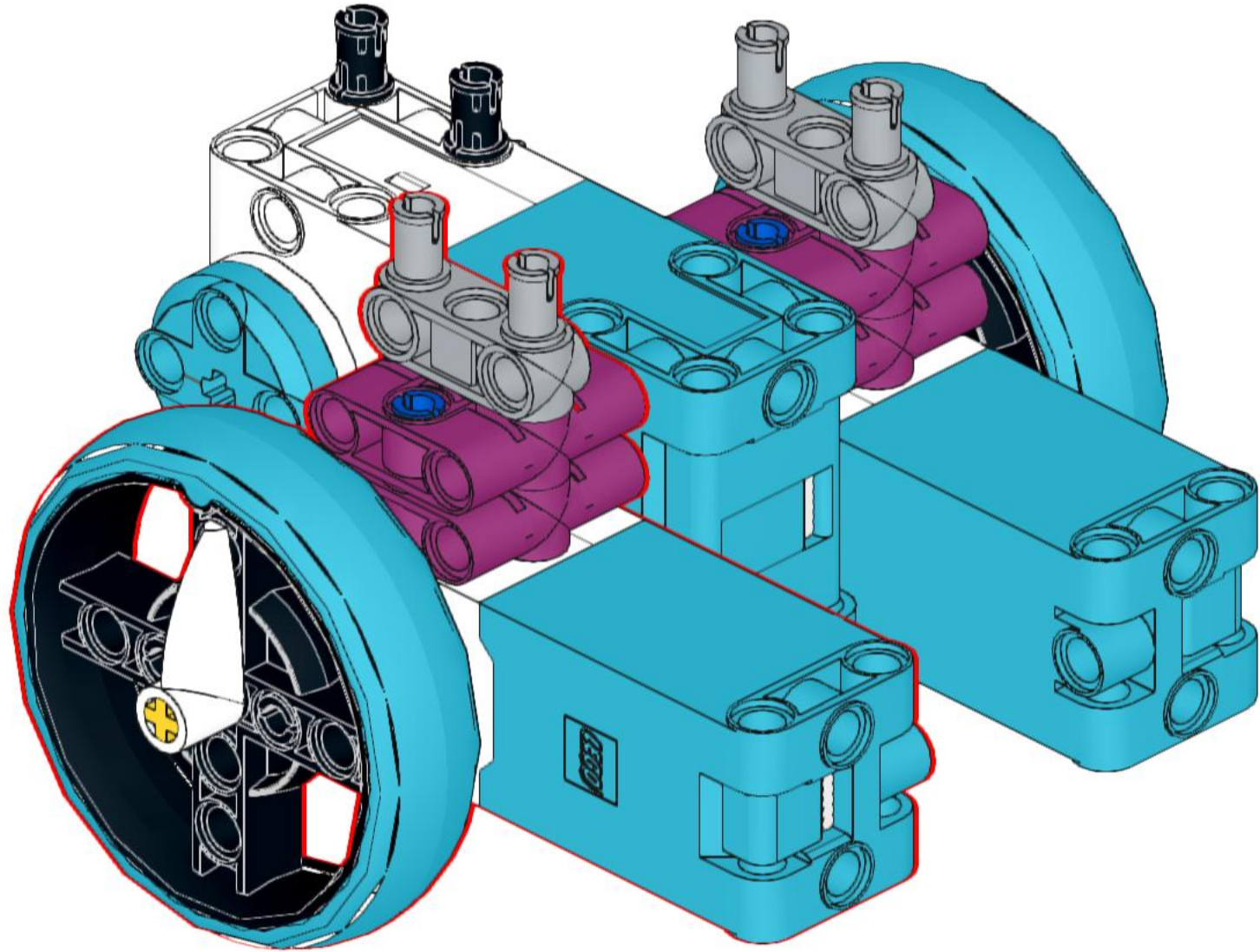
13



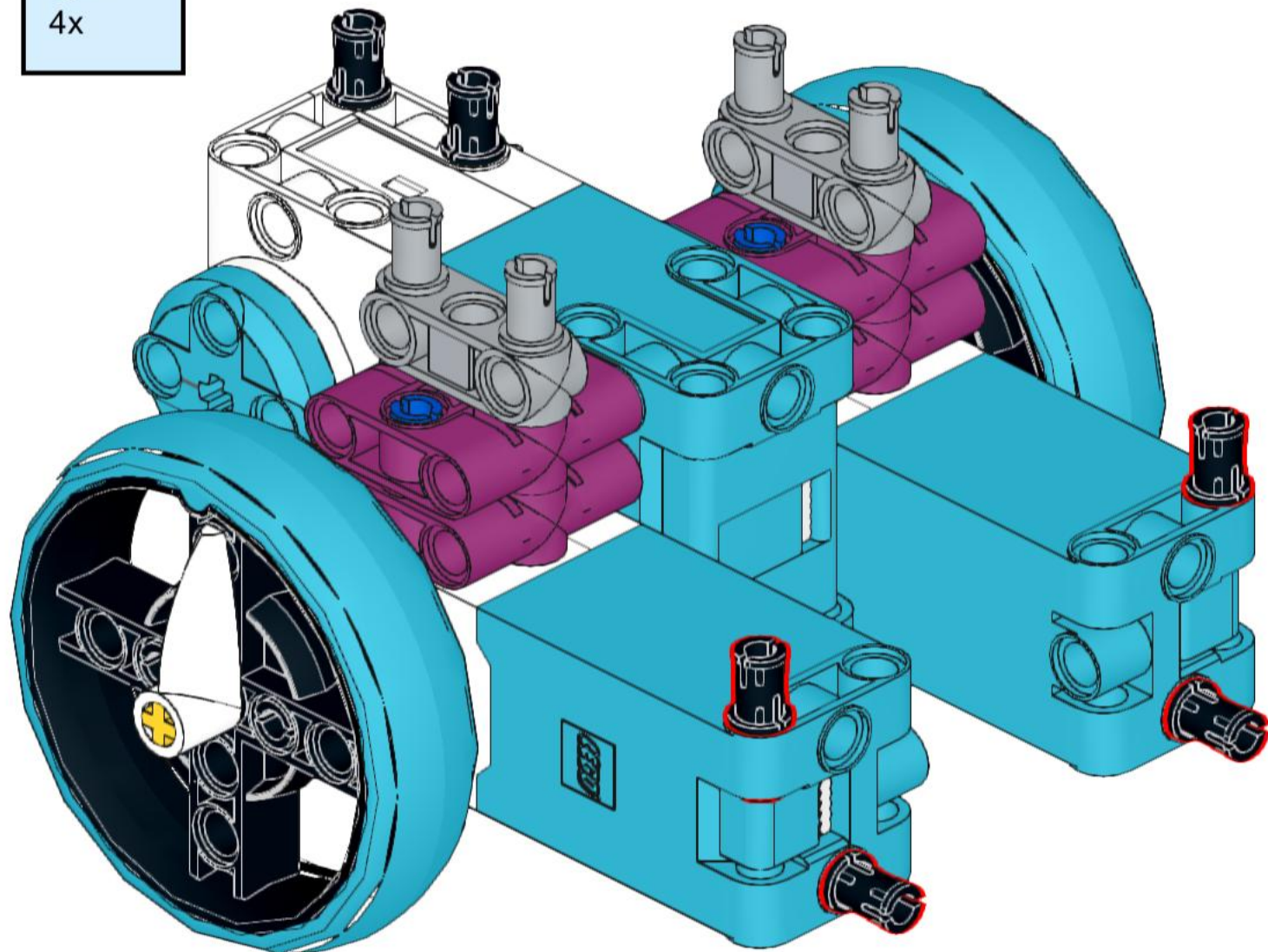
14



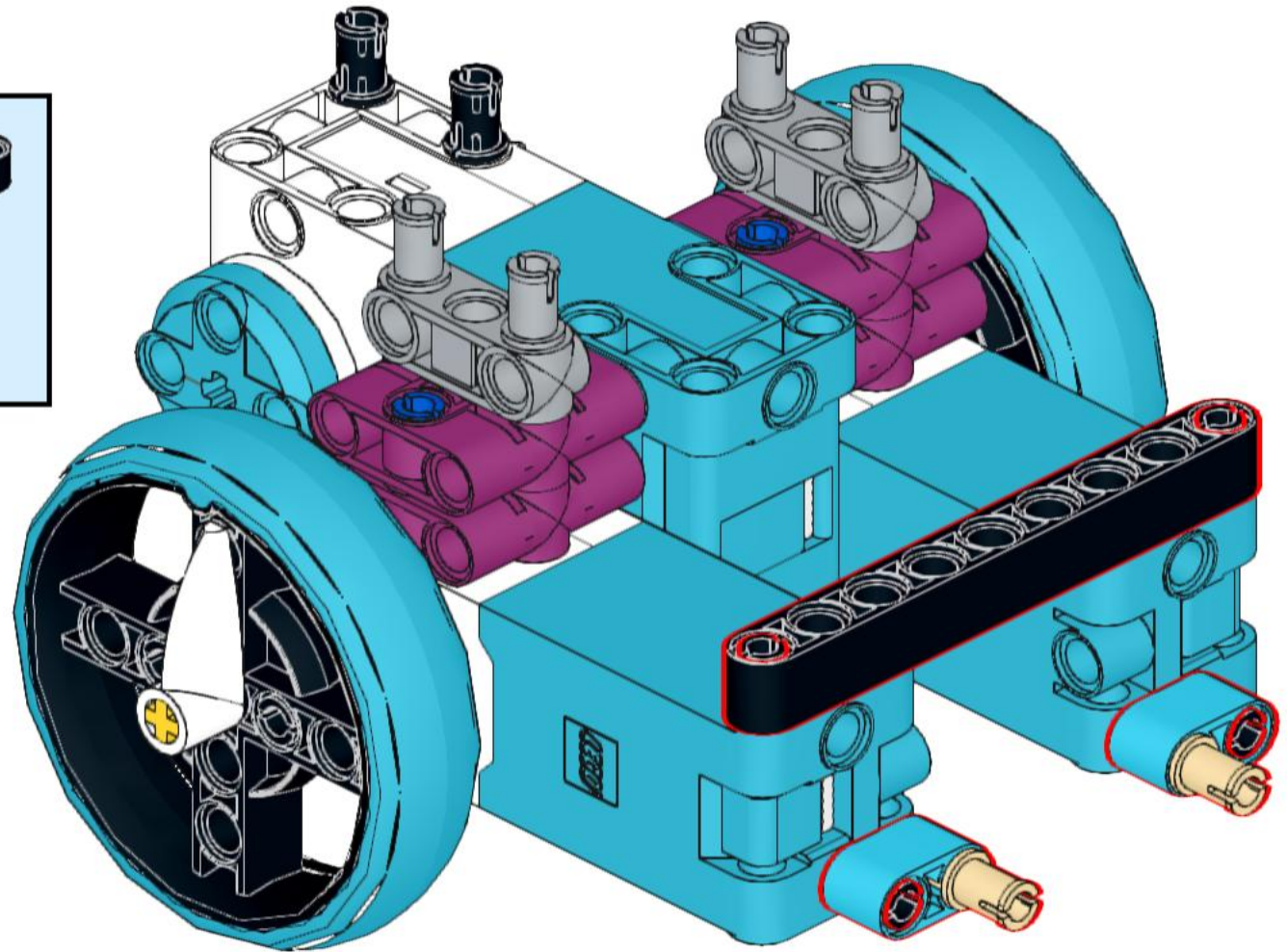
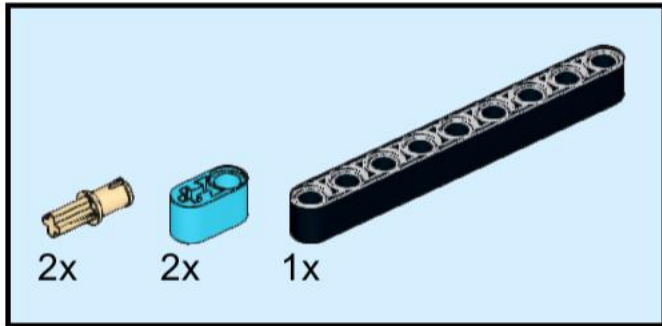
15



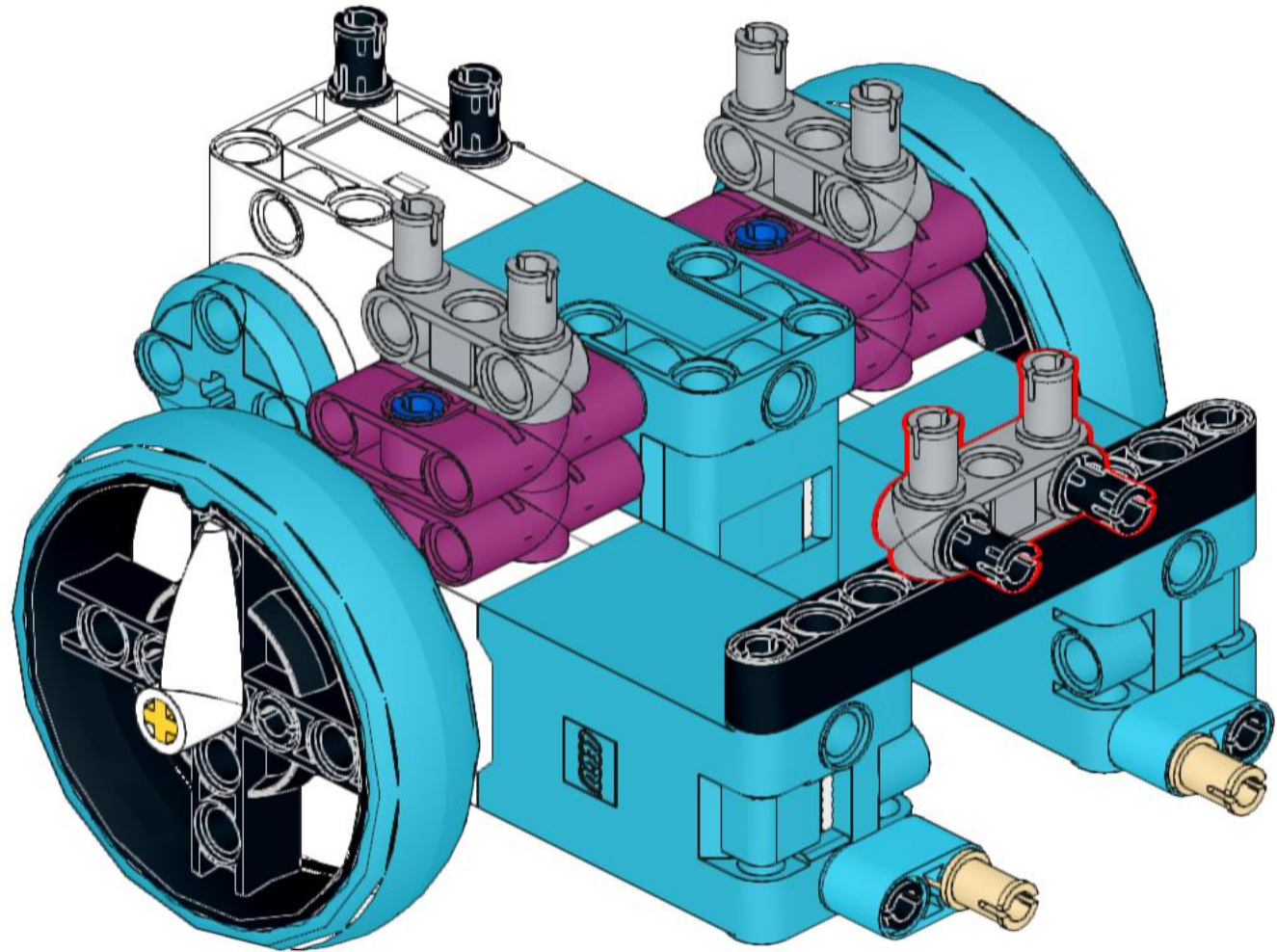
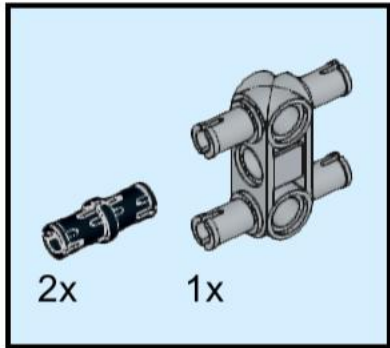
16



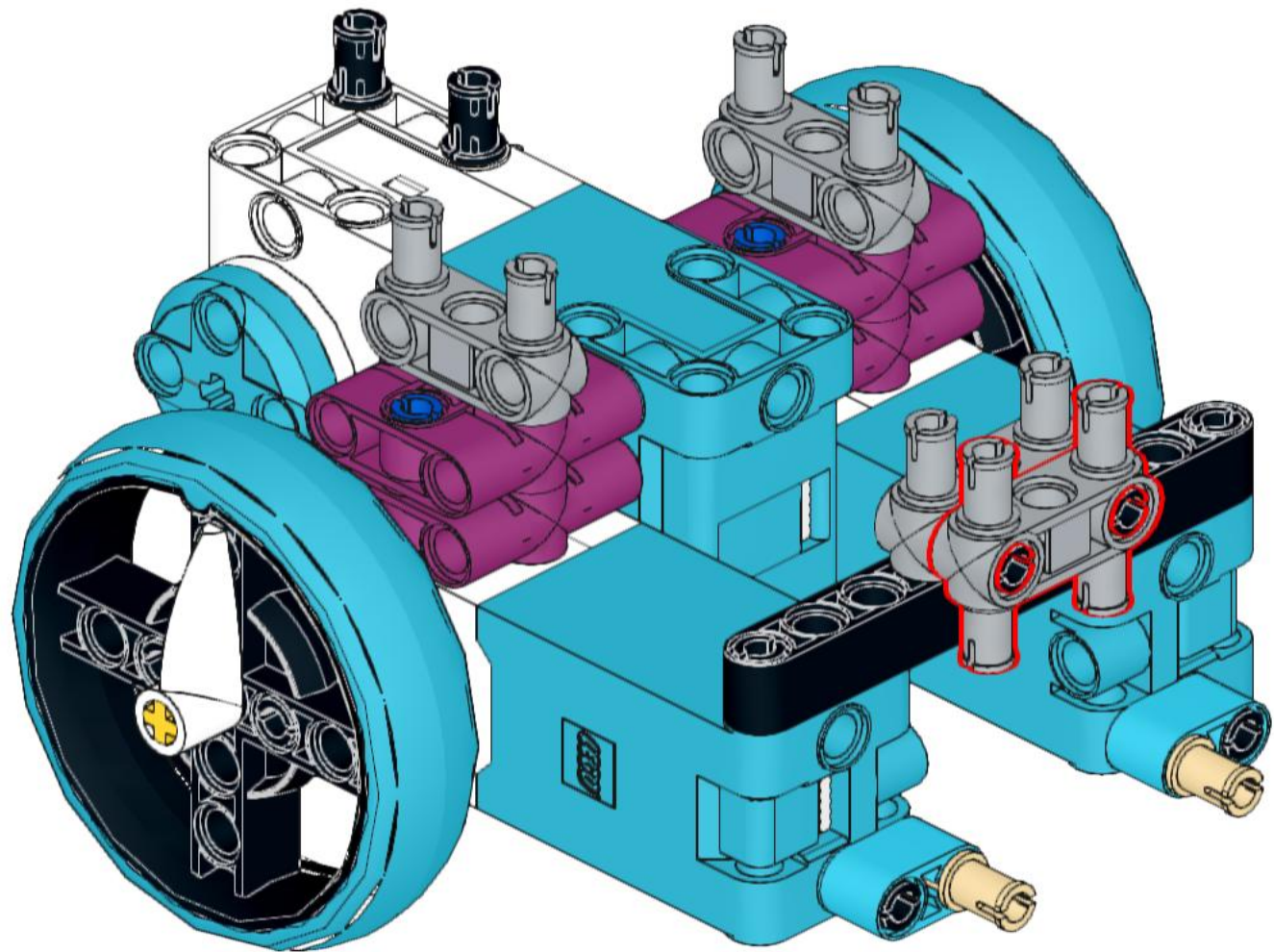
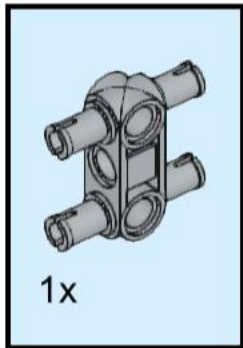
17



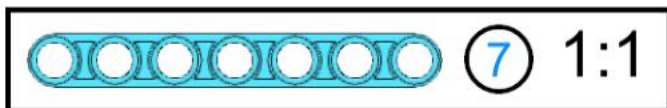
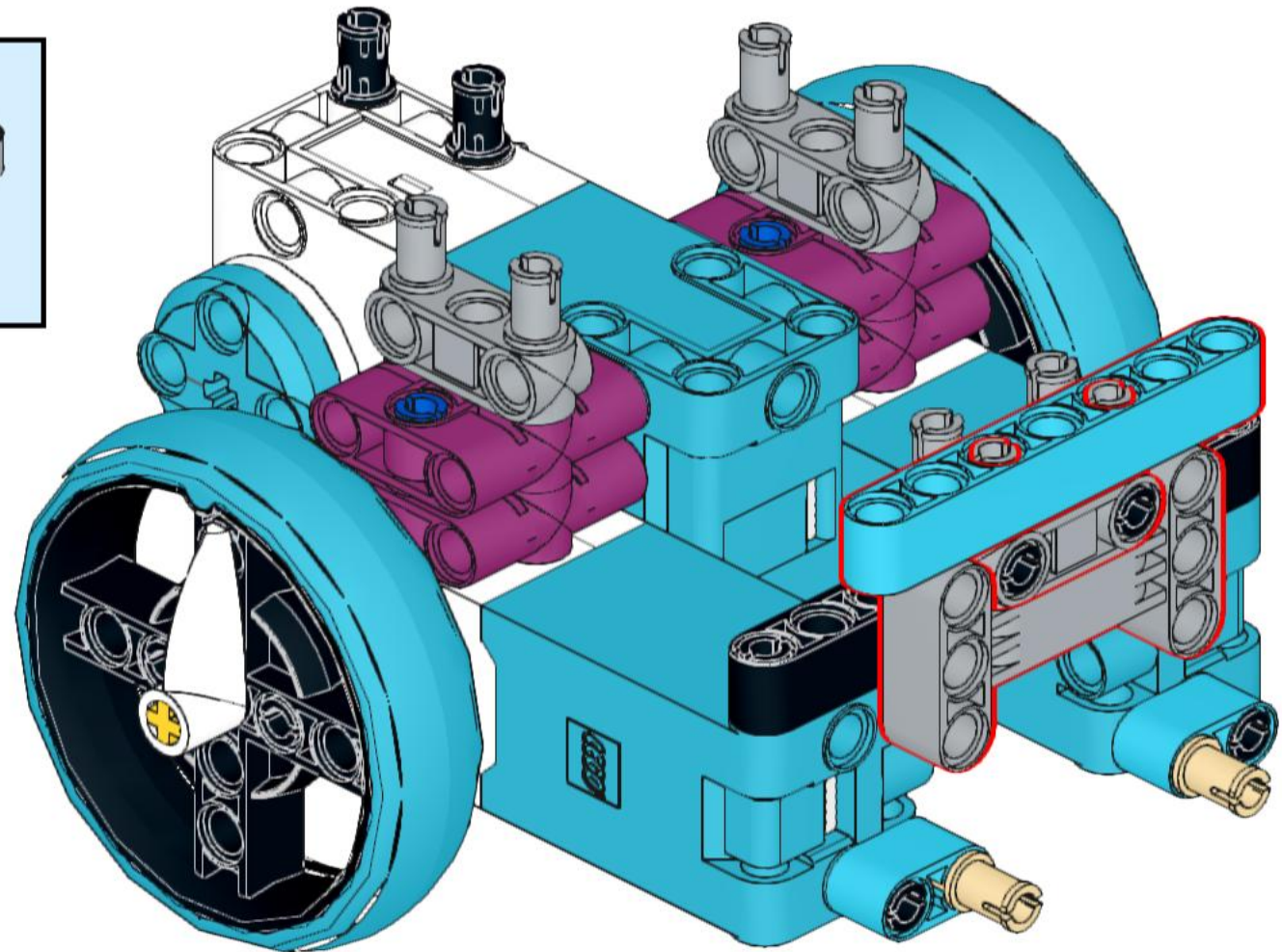
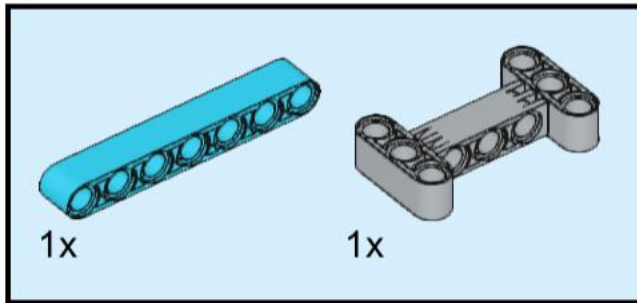
18



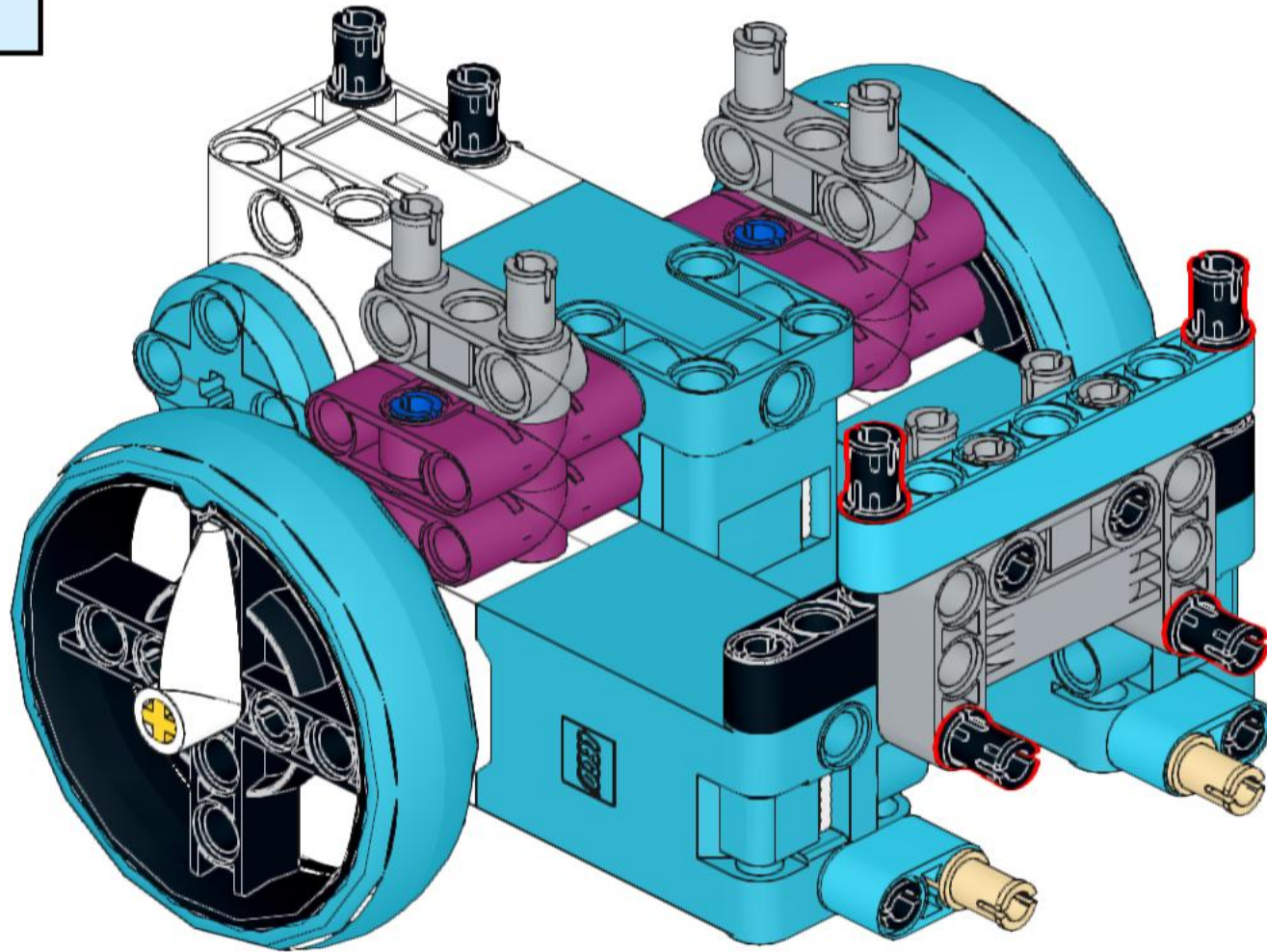
19



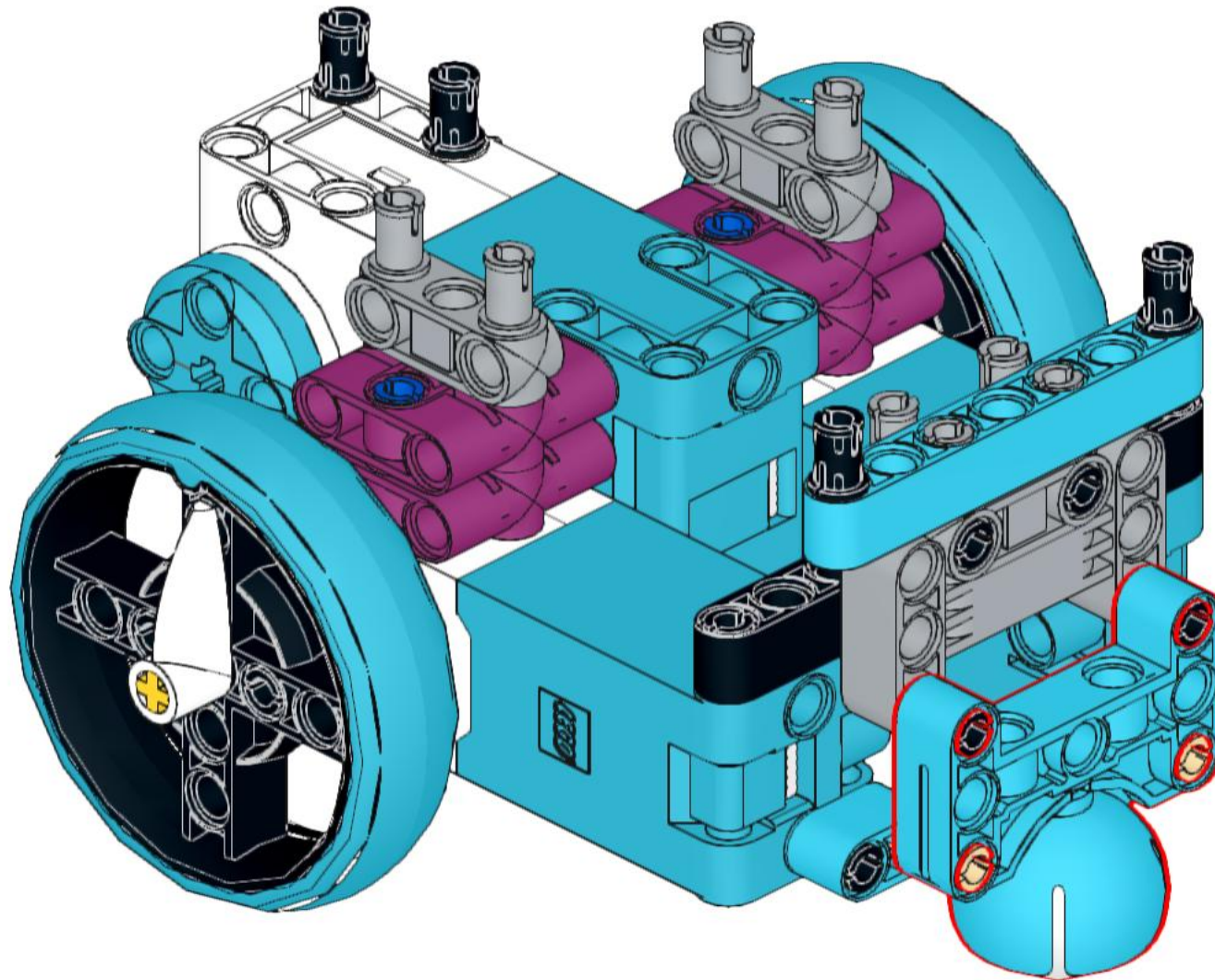
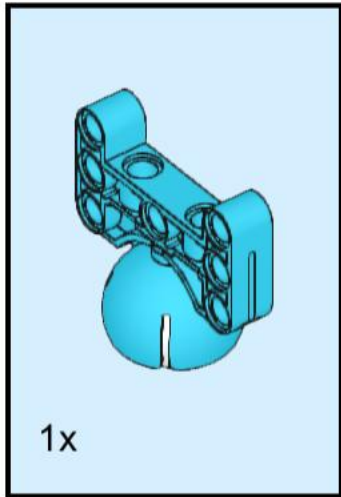
20



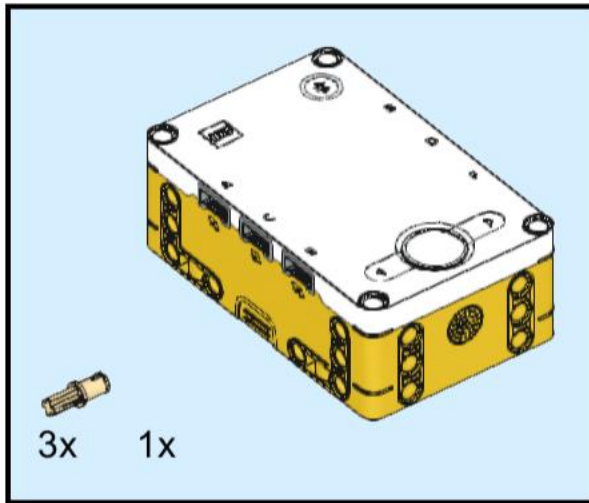
21



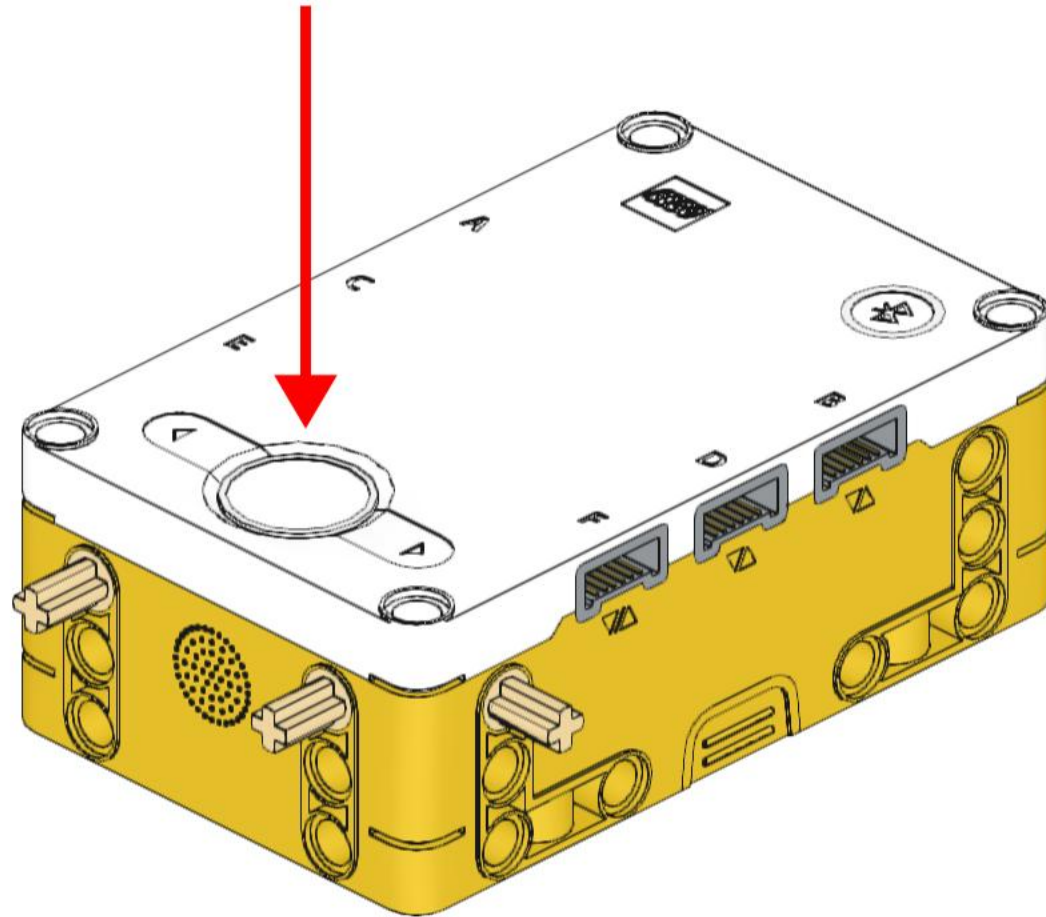
22



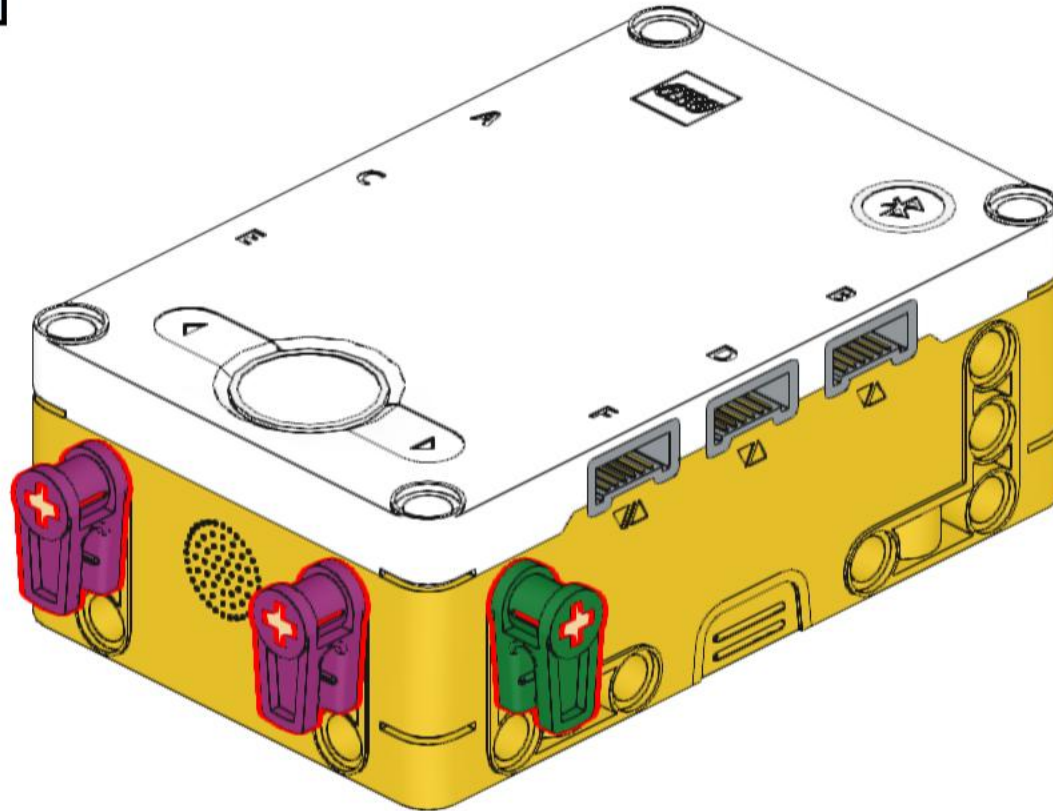
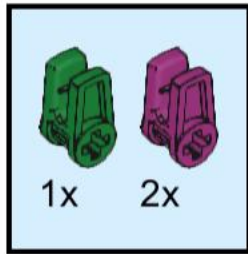
23



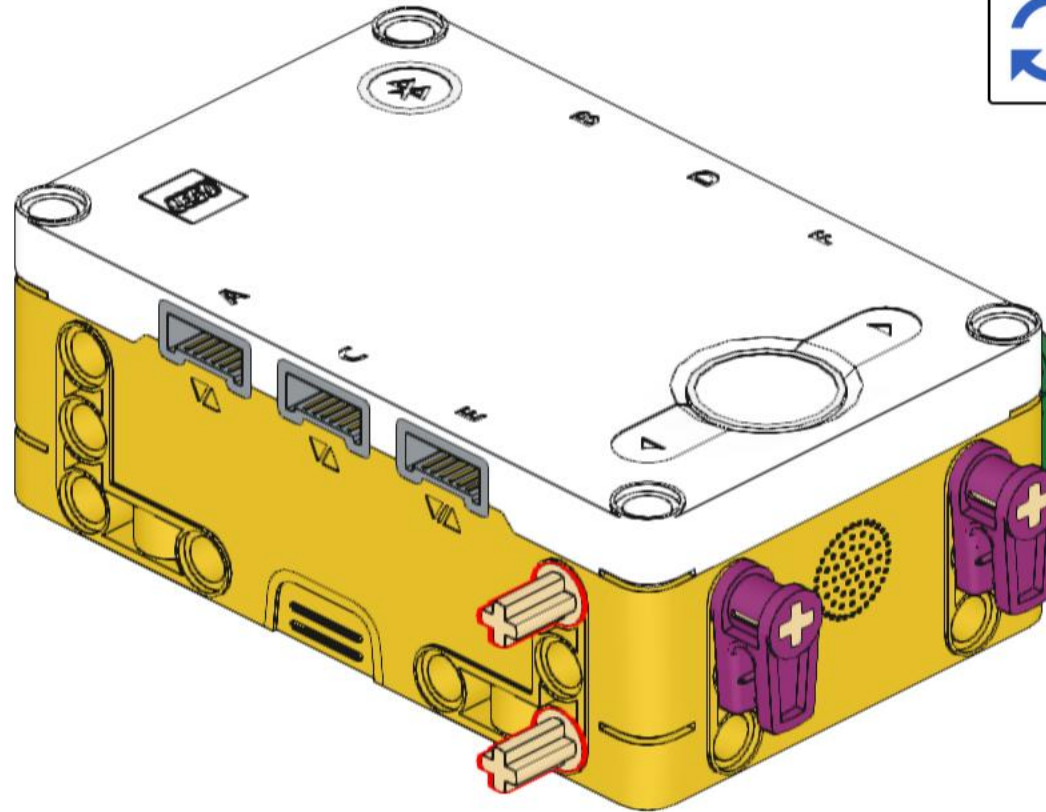
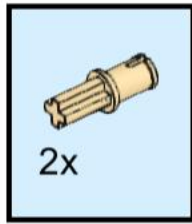
Check the main button of the brick is at this end when fitting these pins.



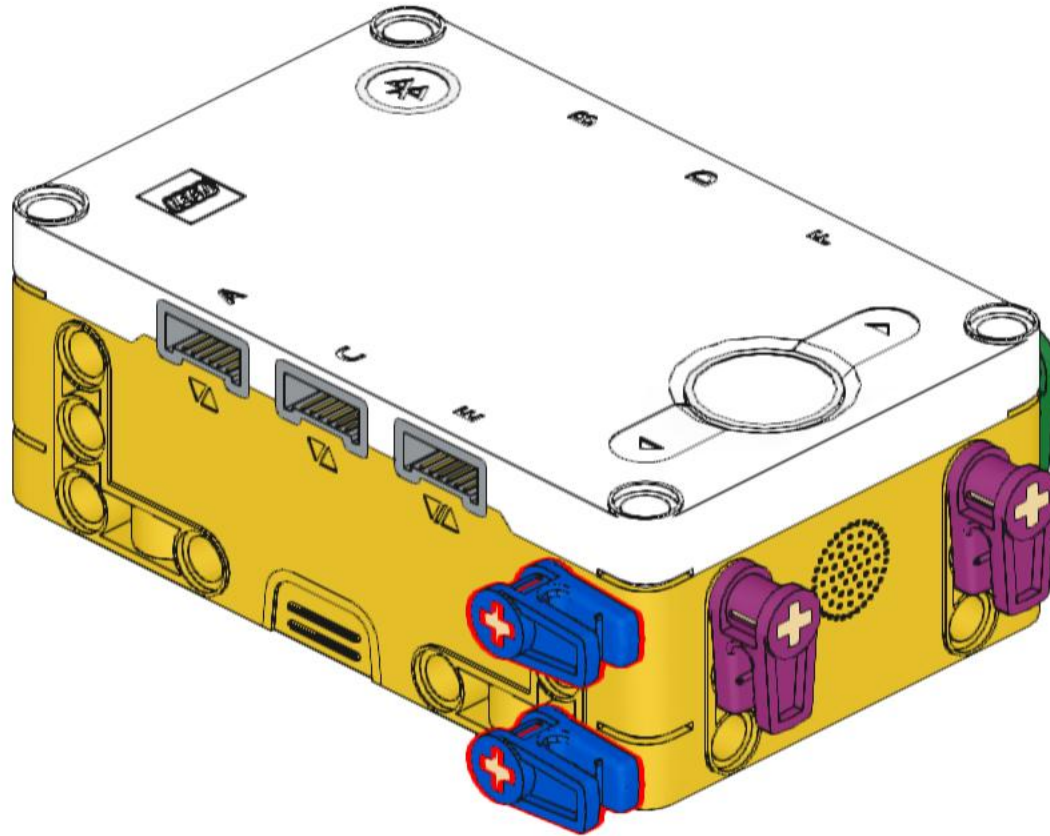
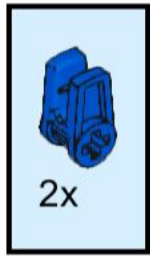
24



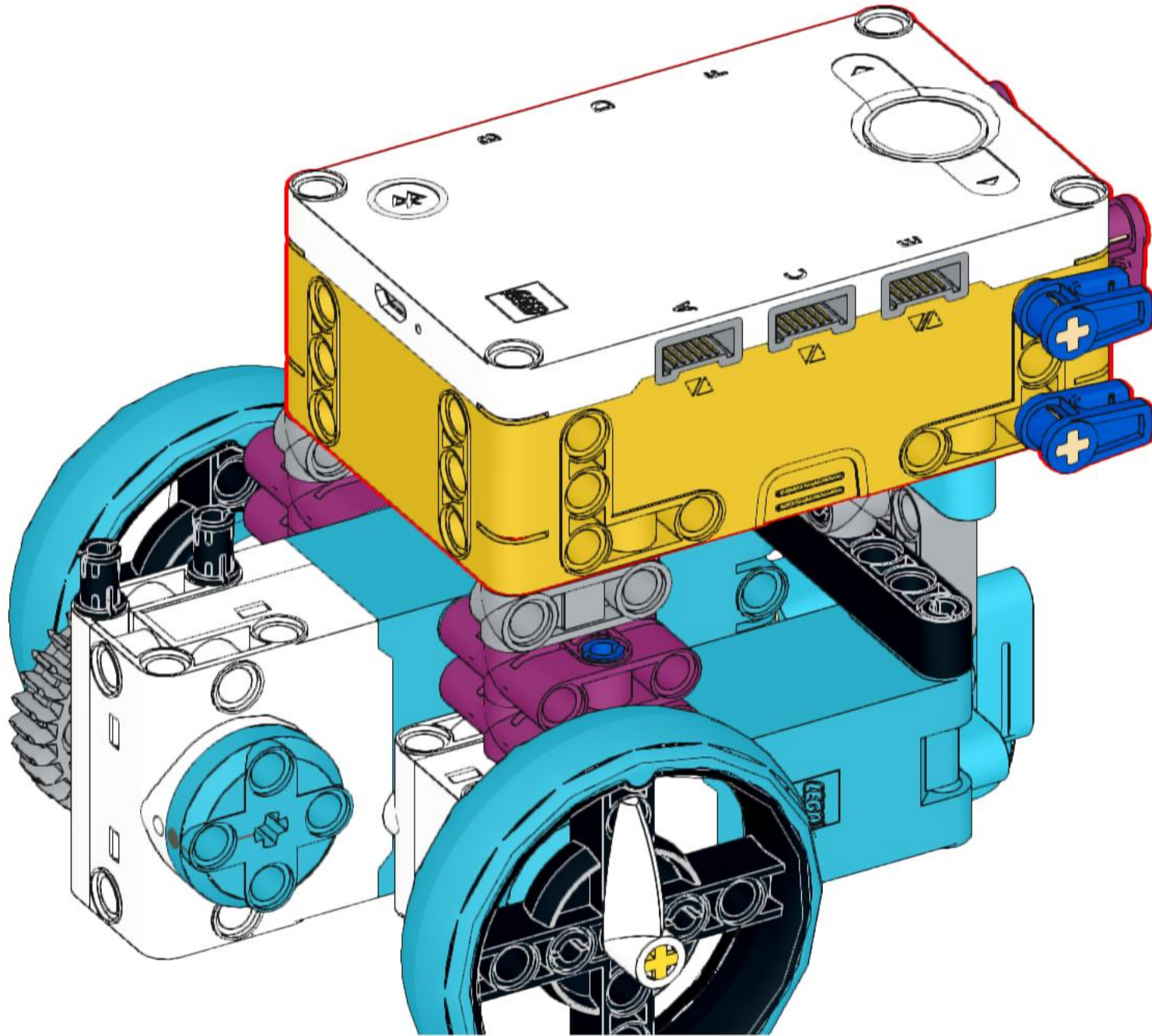
25



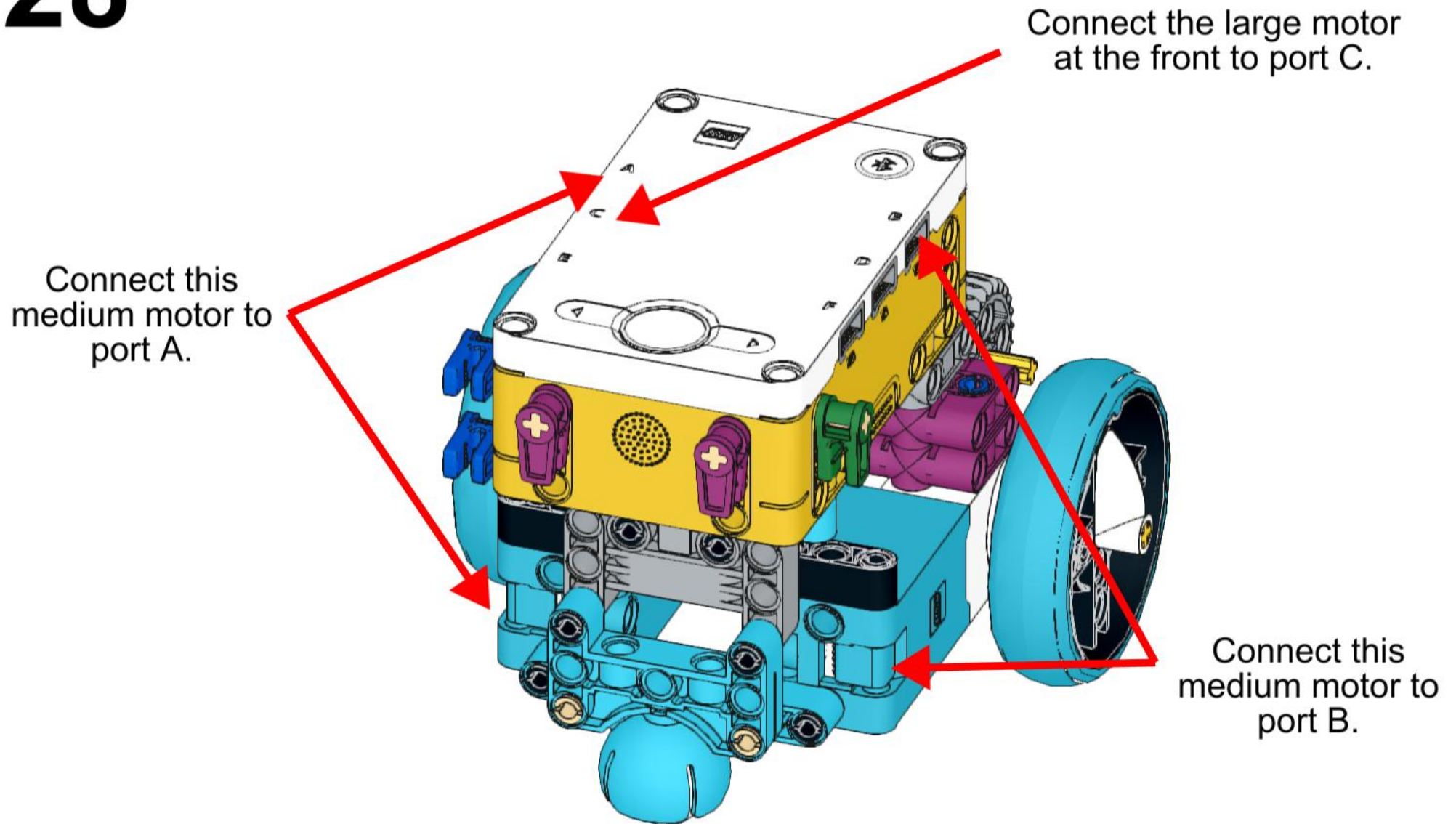
26



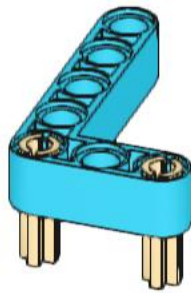
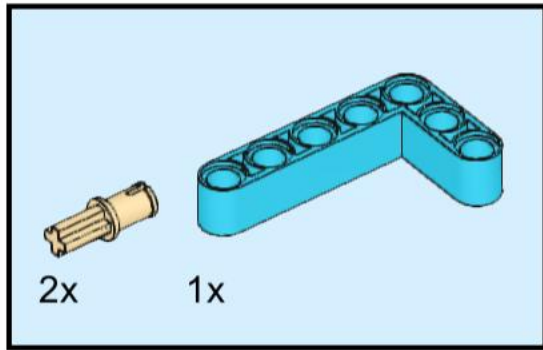
27



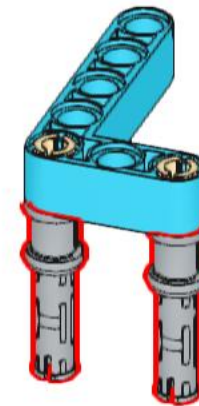
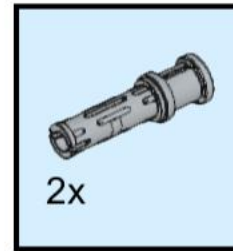
28



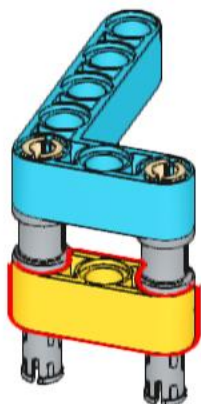
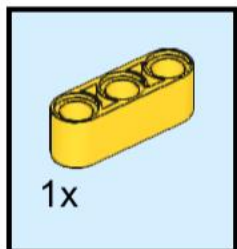
29



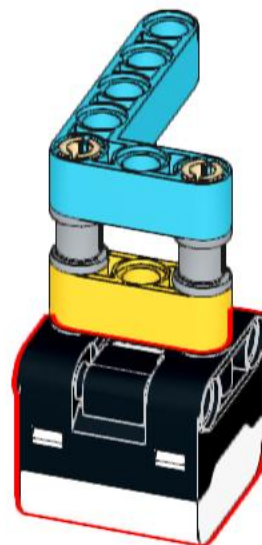
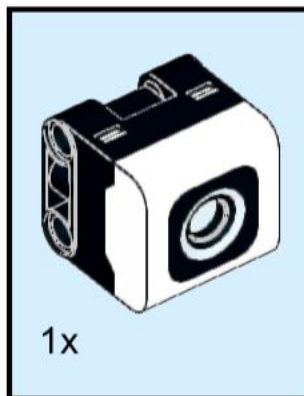
30



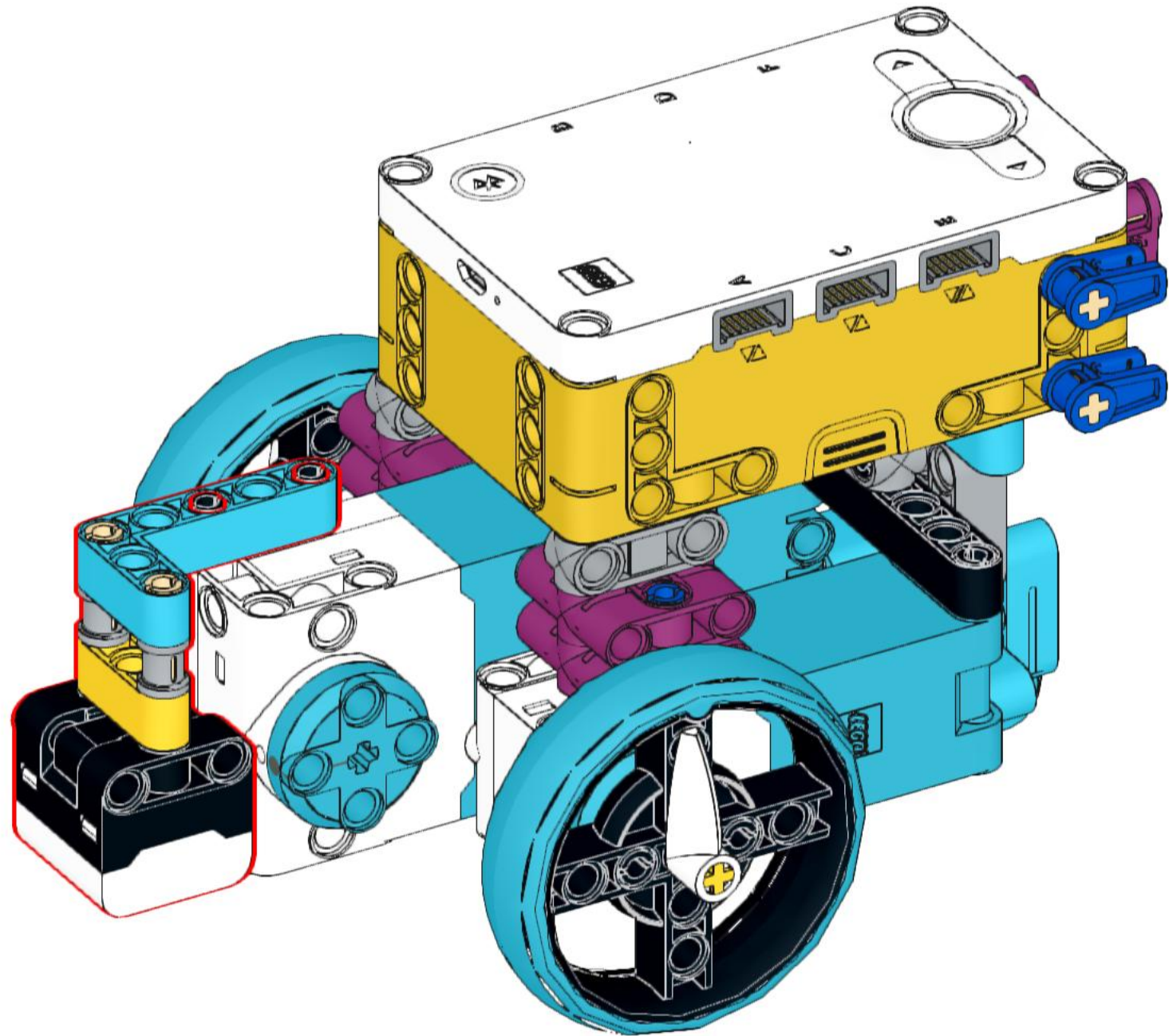
31



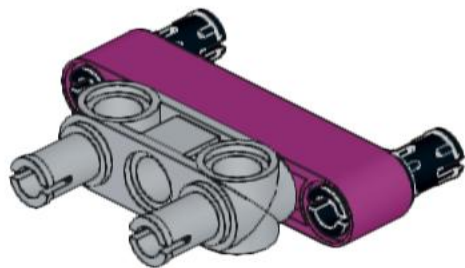
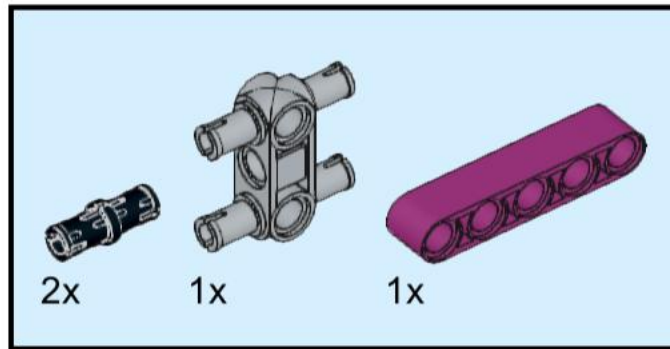
32



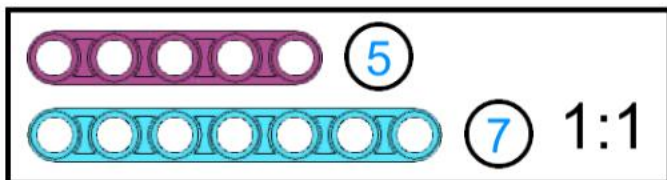
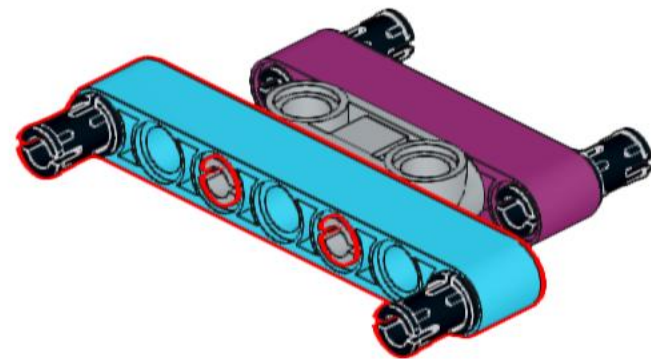
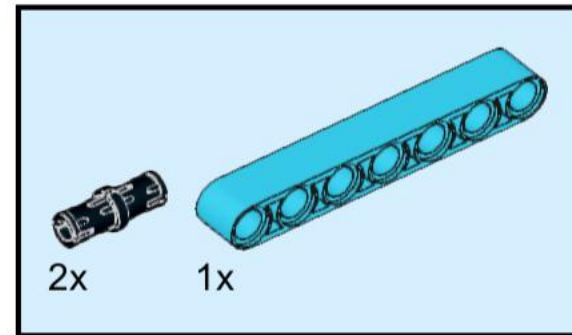
33



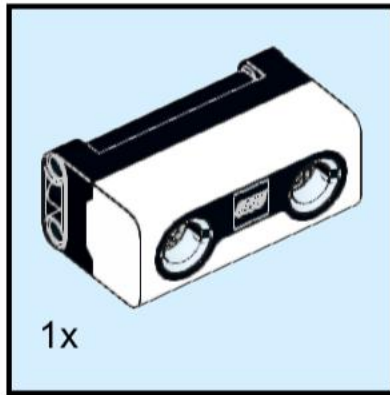
34



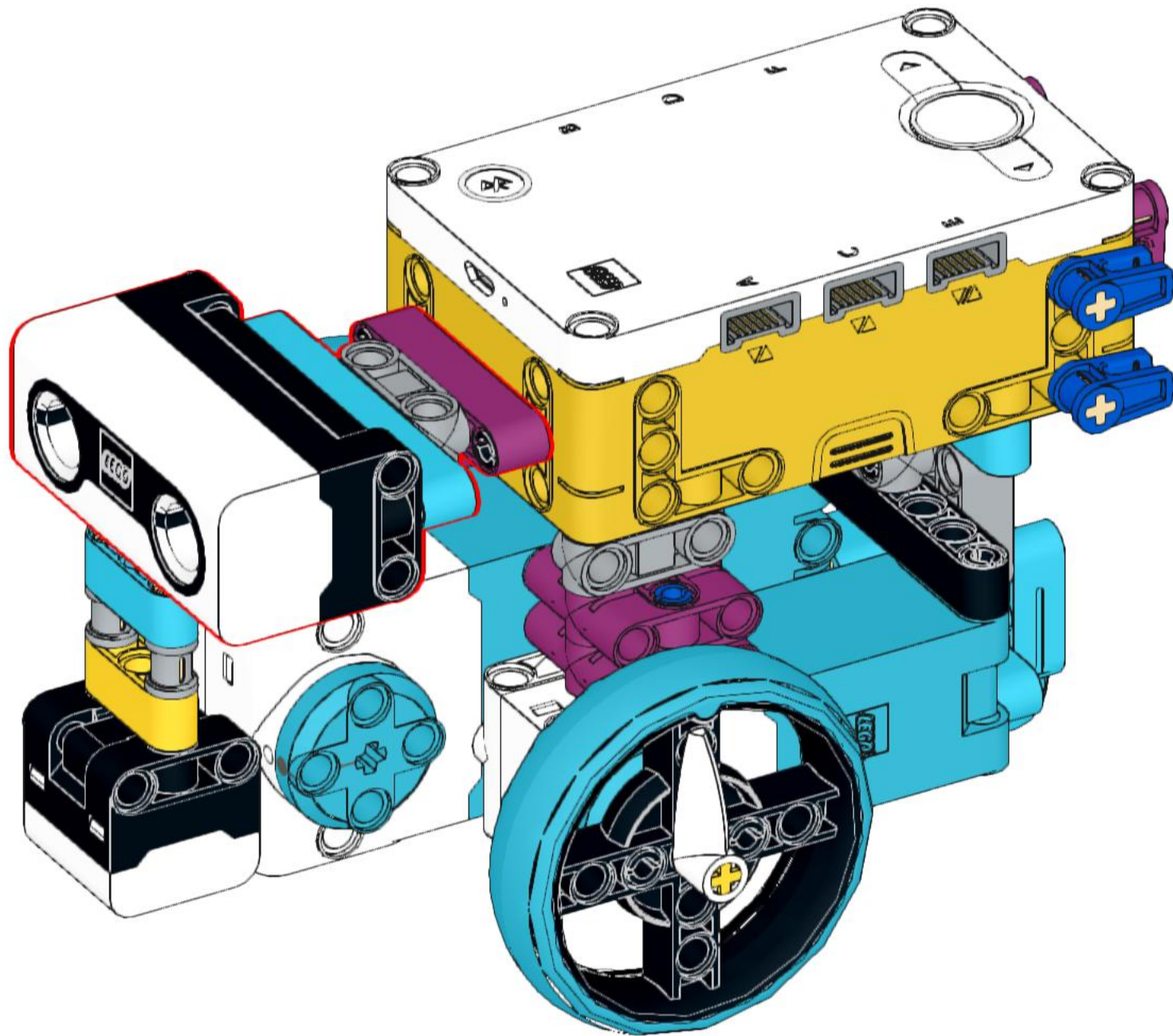
35



36

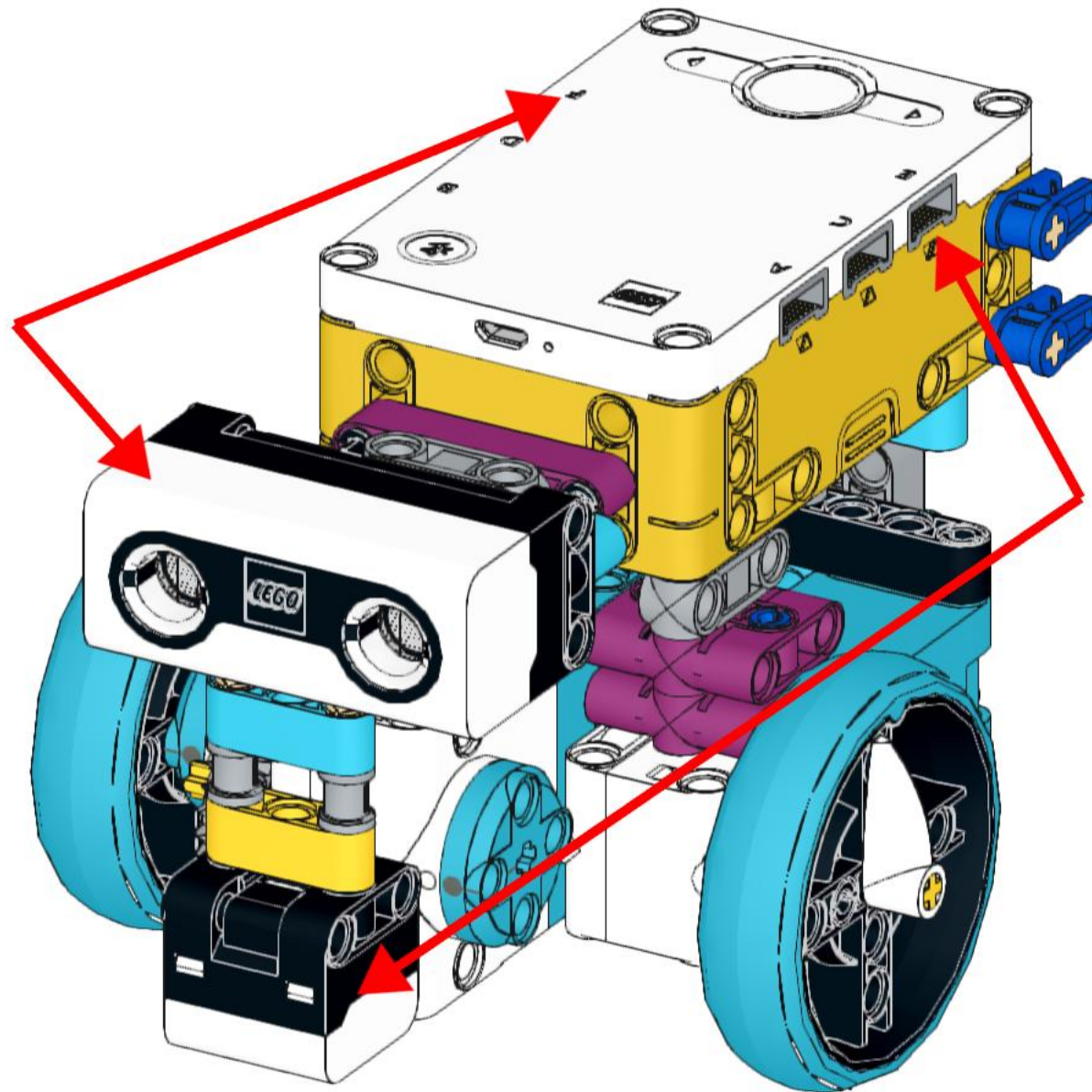


37



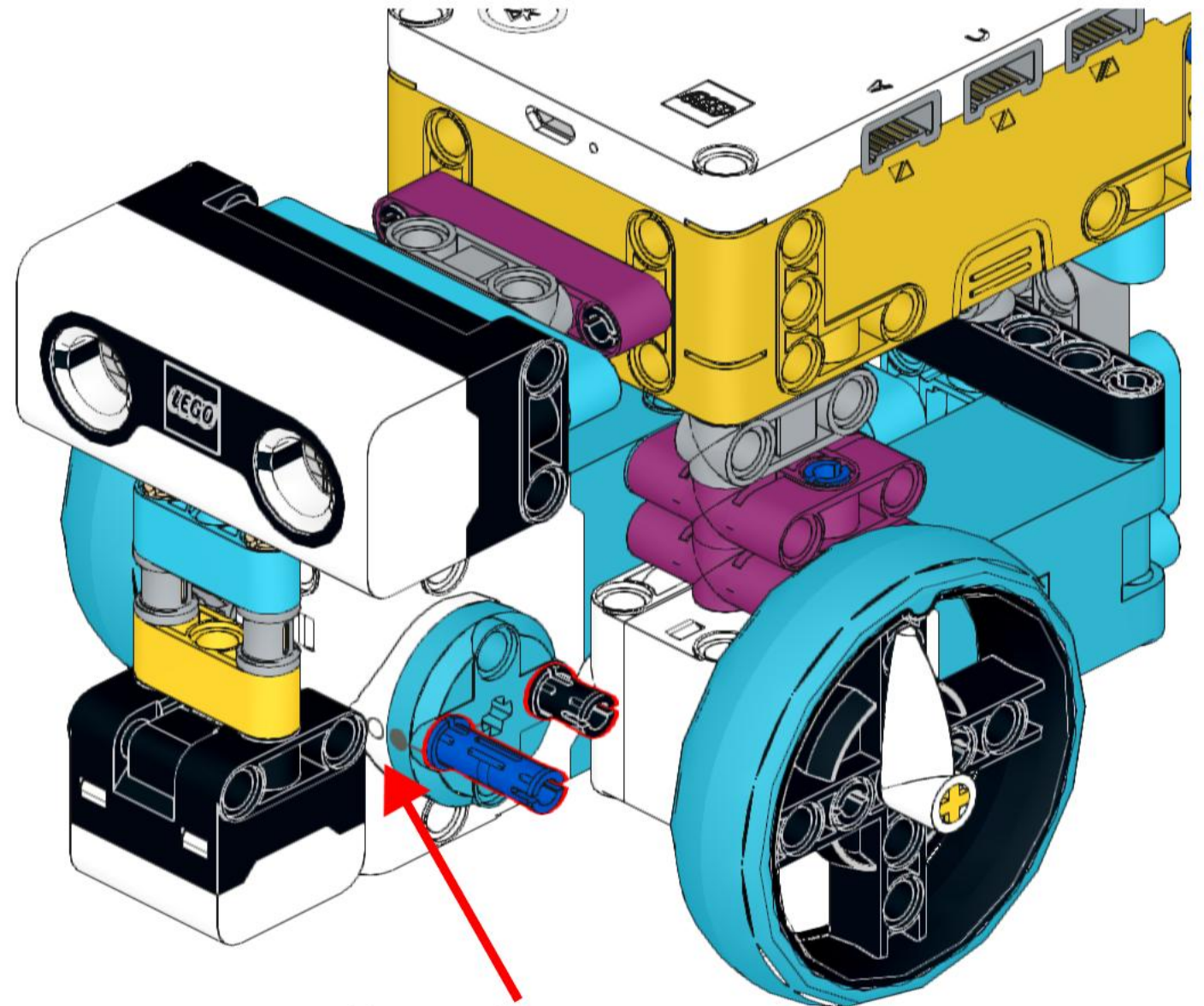
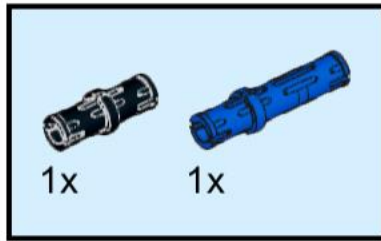
38

Connect the distance sensor to port F.



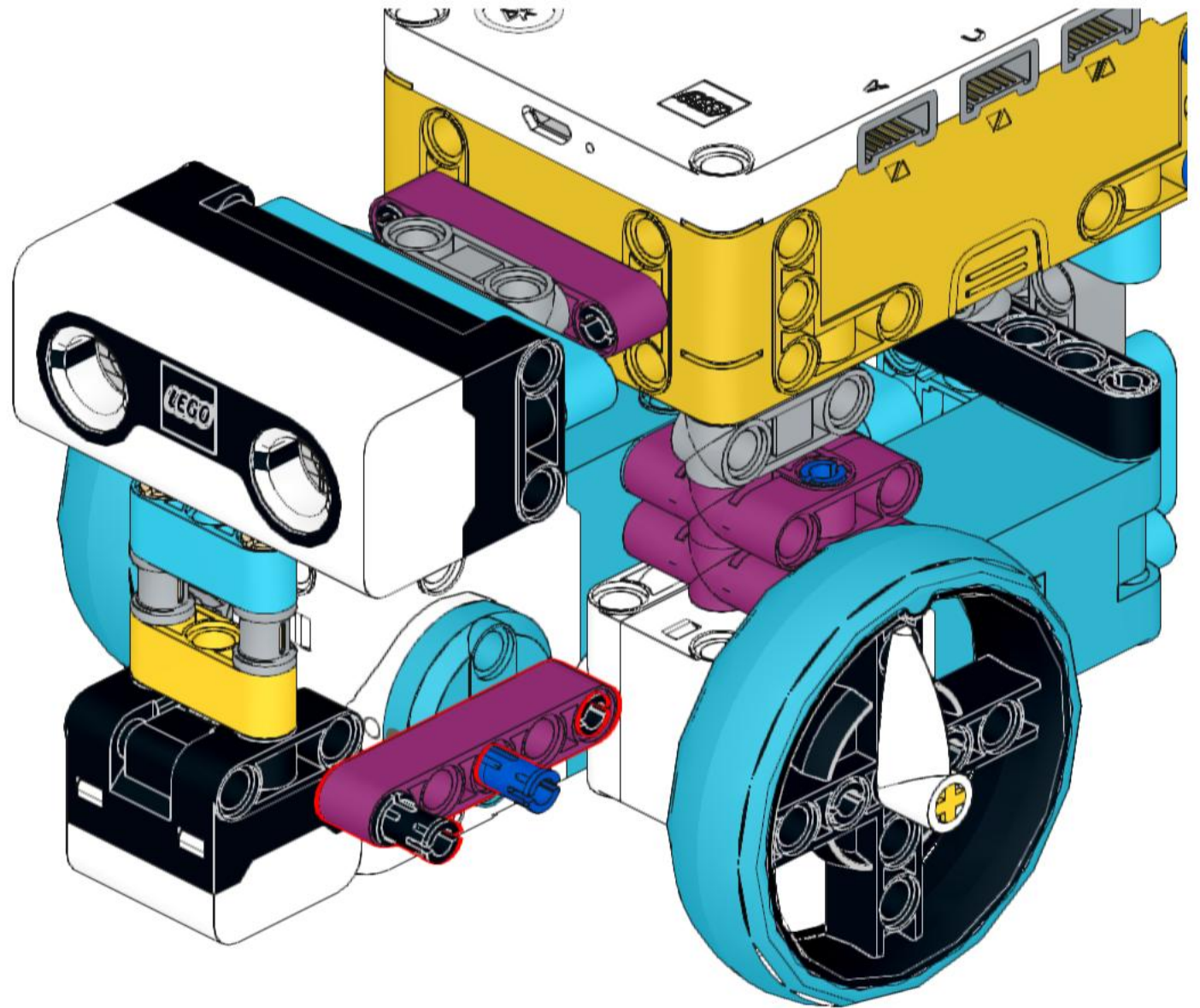
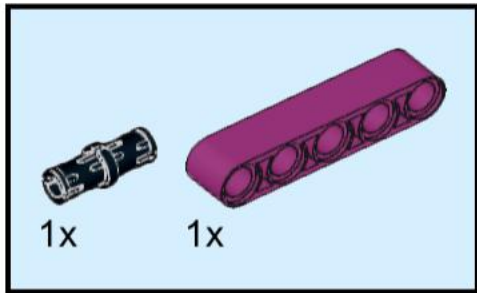
Connect the colour sensor to port E.

39

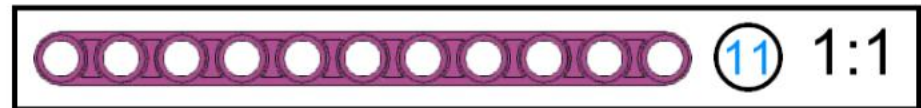
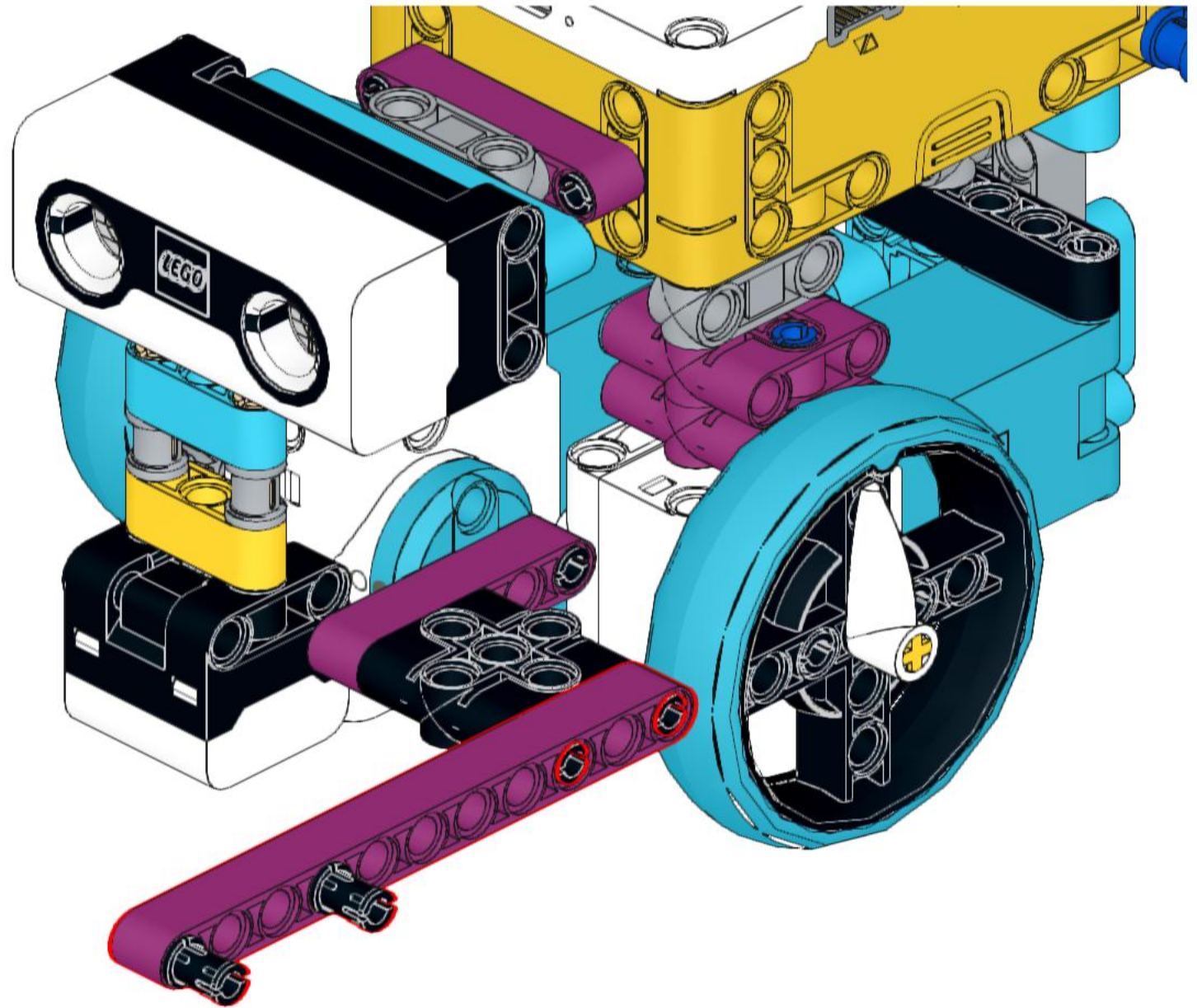
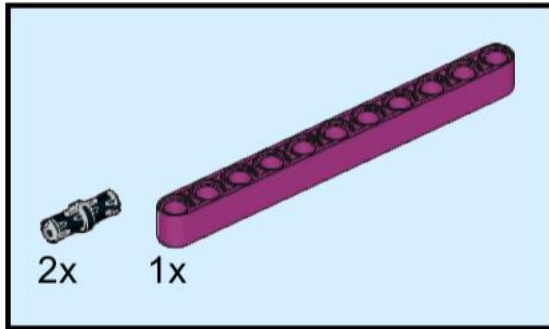


Ensure the grey dot and grey circle are lined up before fitting these 2 pins.

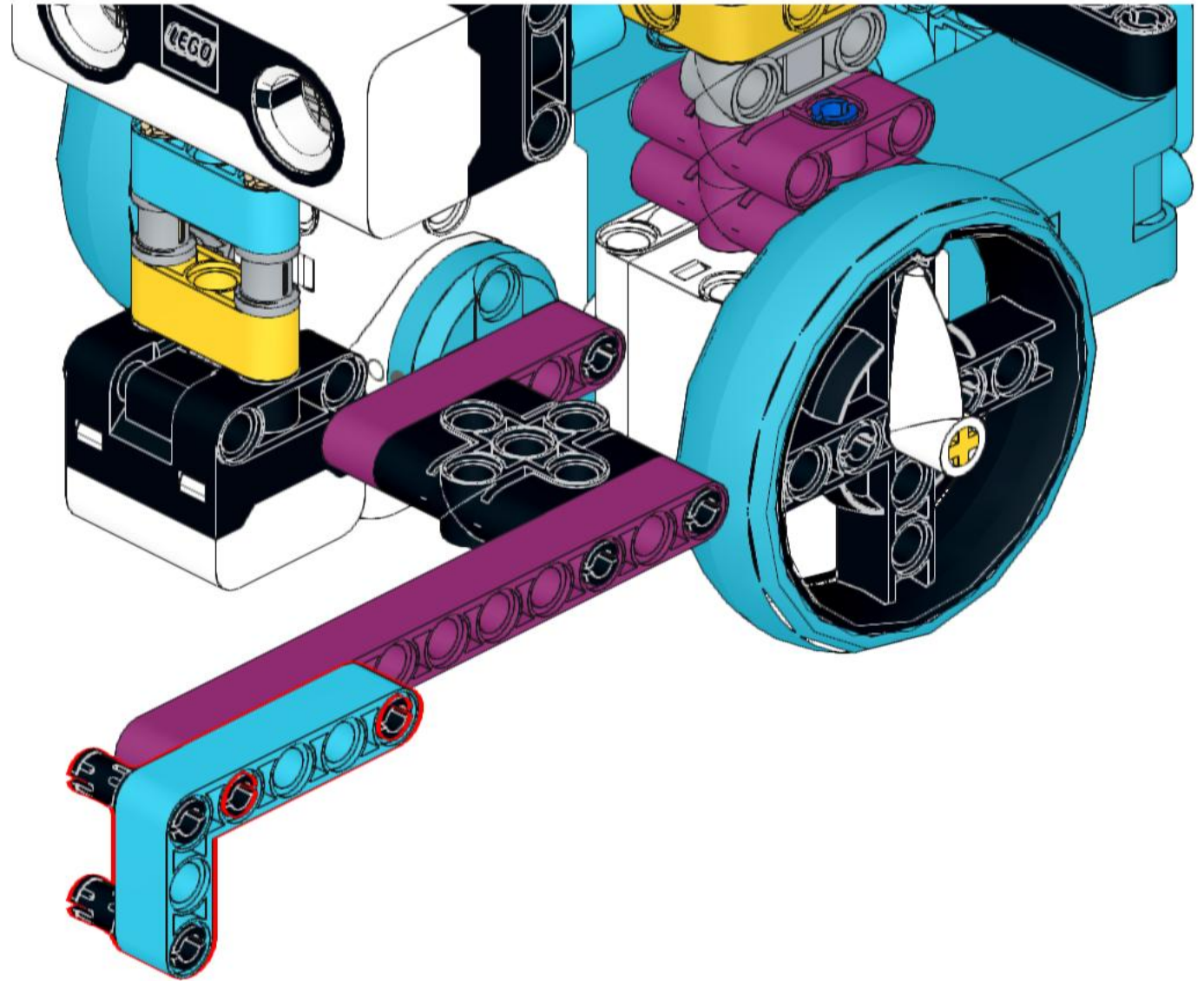
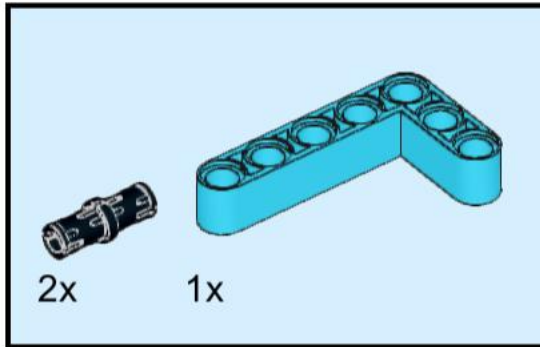
40



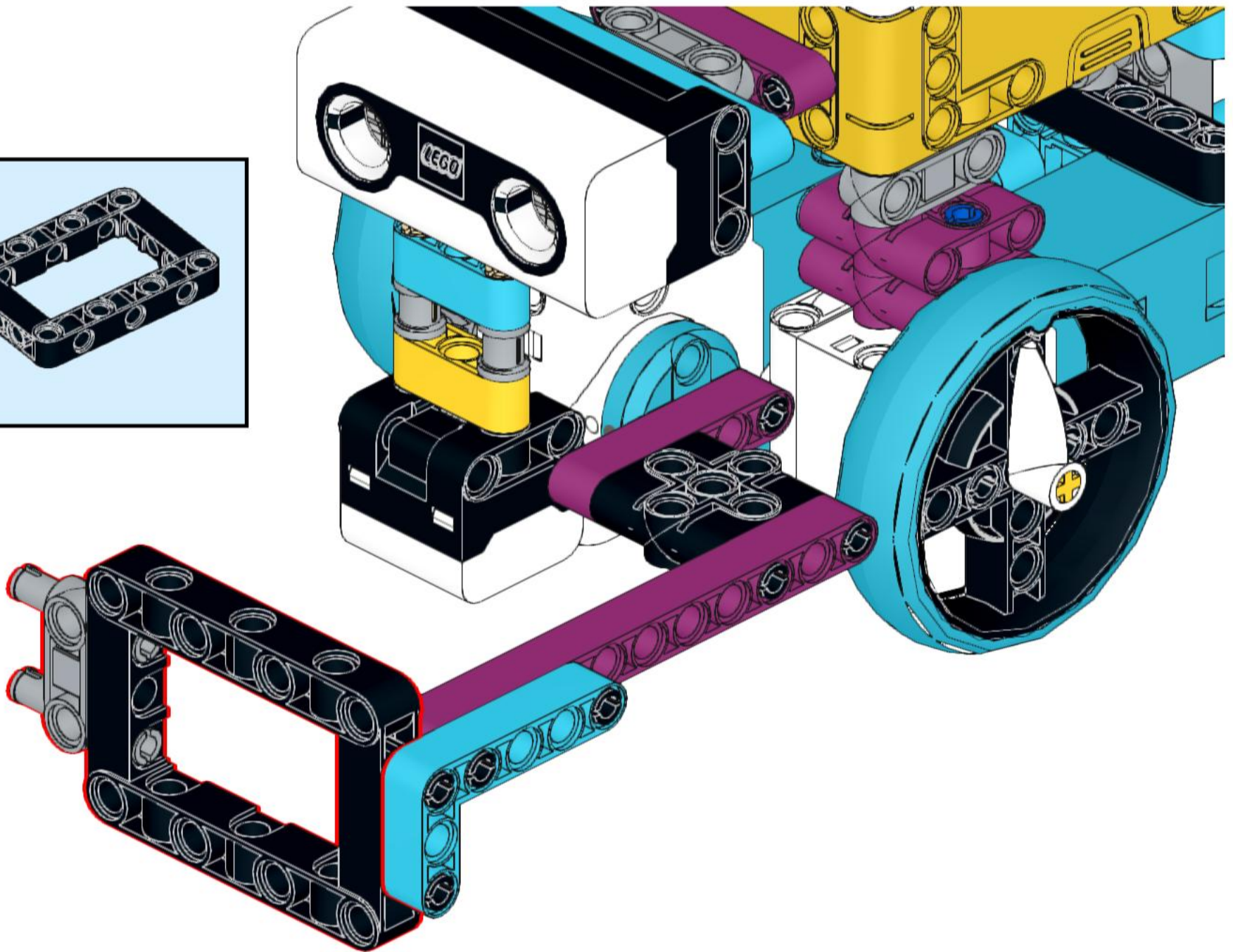
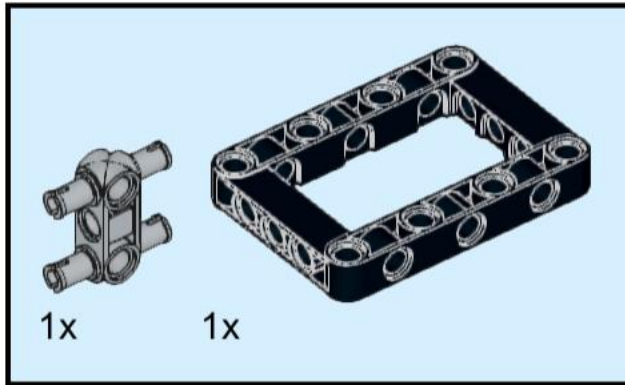
42



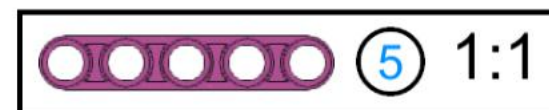
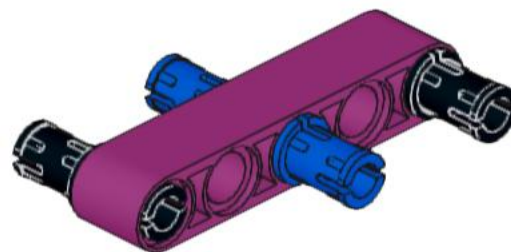
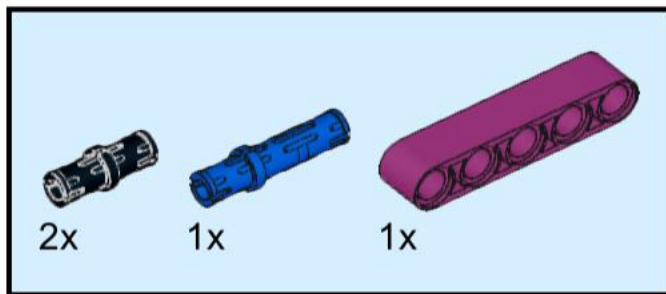
43



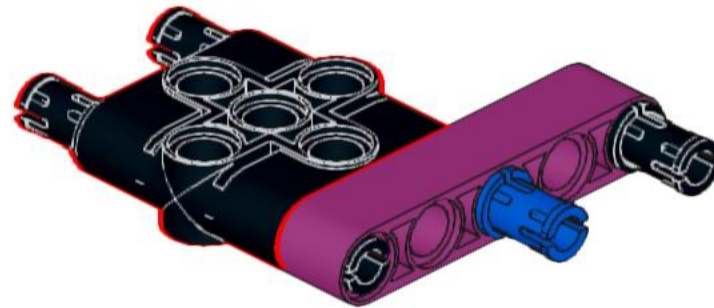
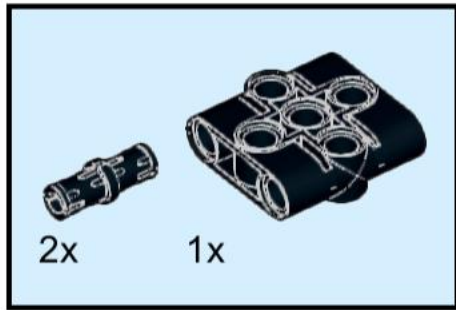
44



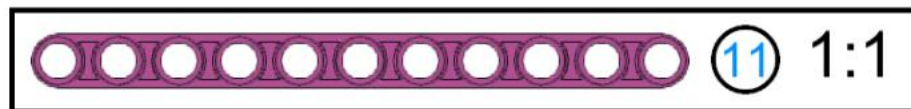
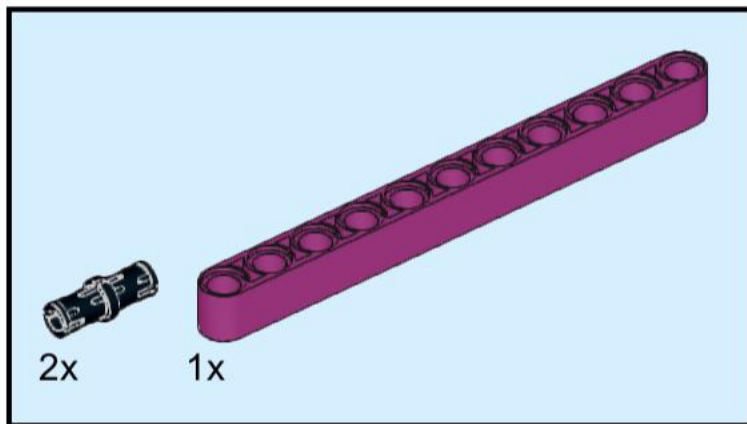
45



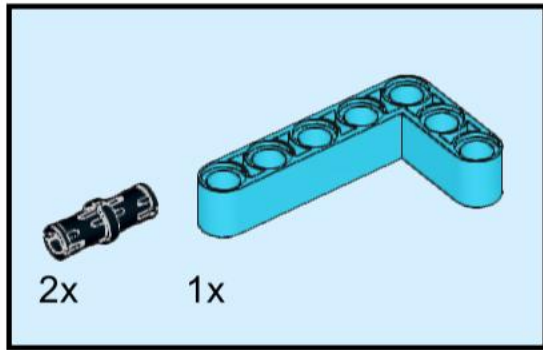
46



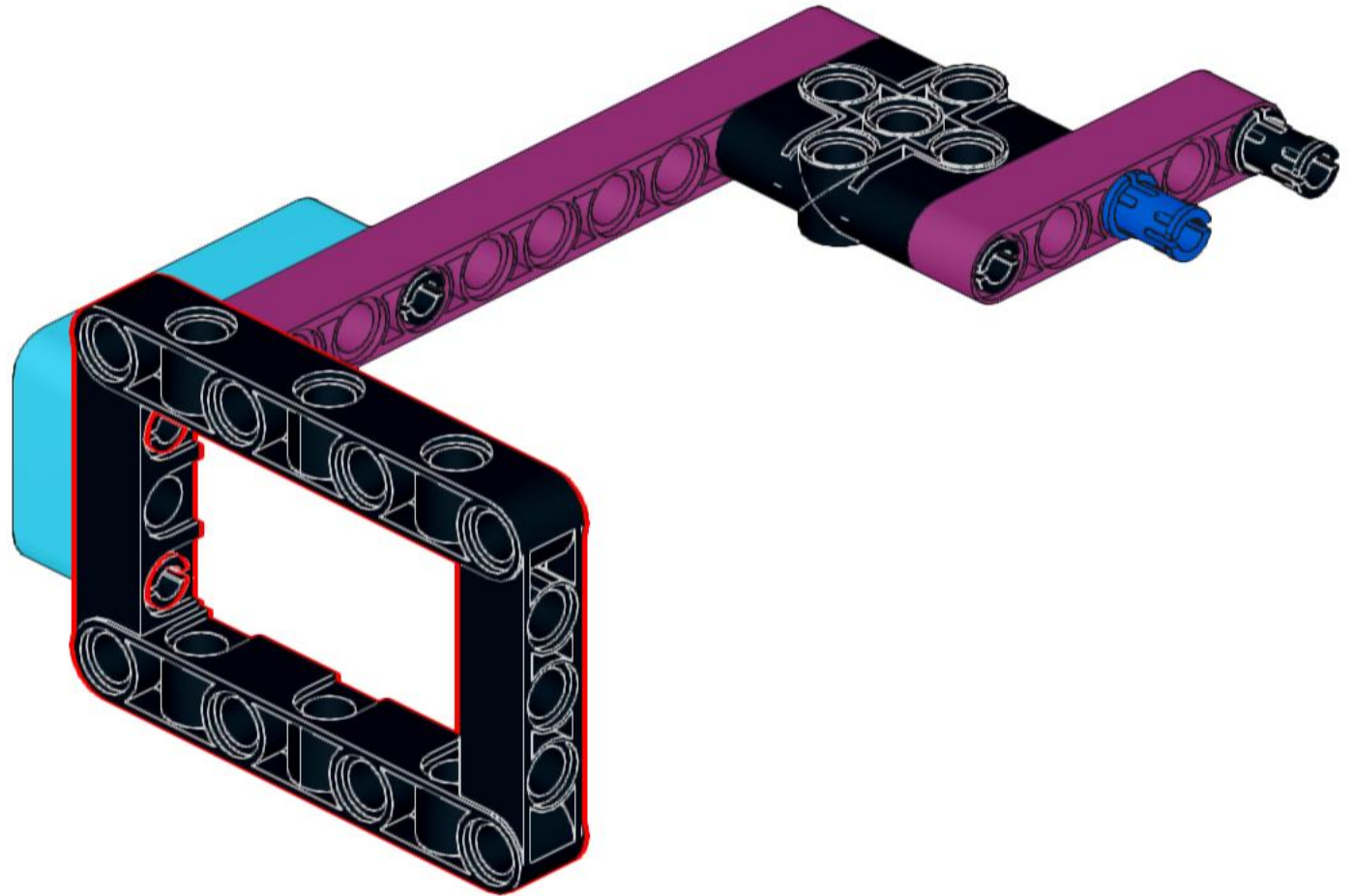
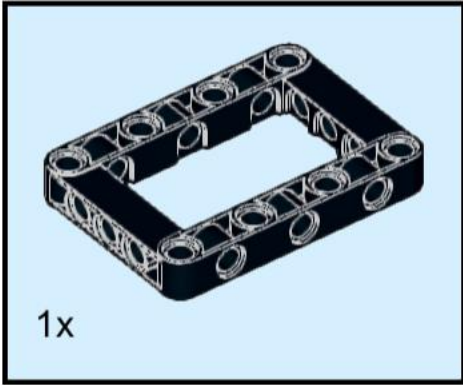
47

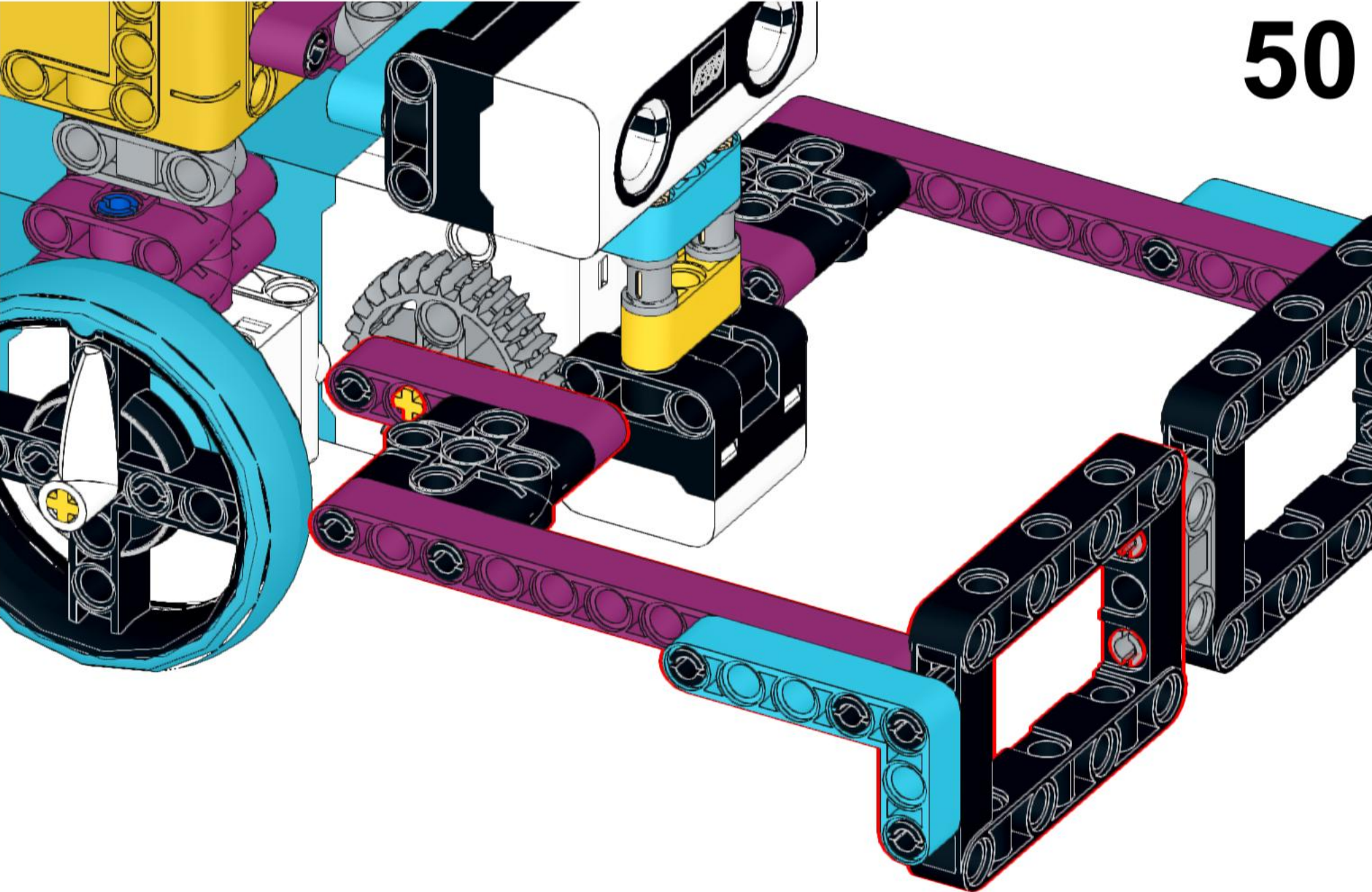


48



49





51

Use the cable clips on the rear of the main brick to tidy up the cables and keep them out of the way of the wheels.

