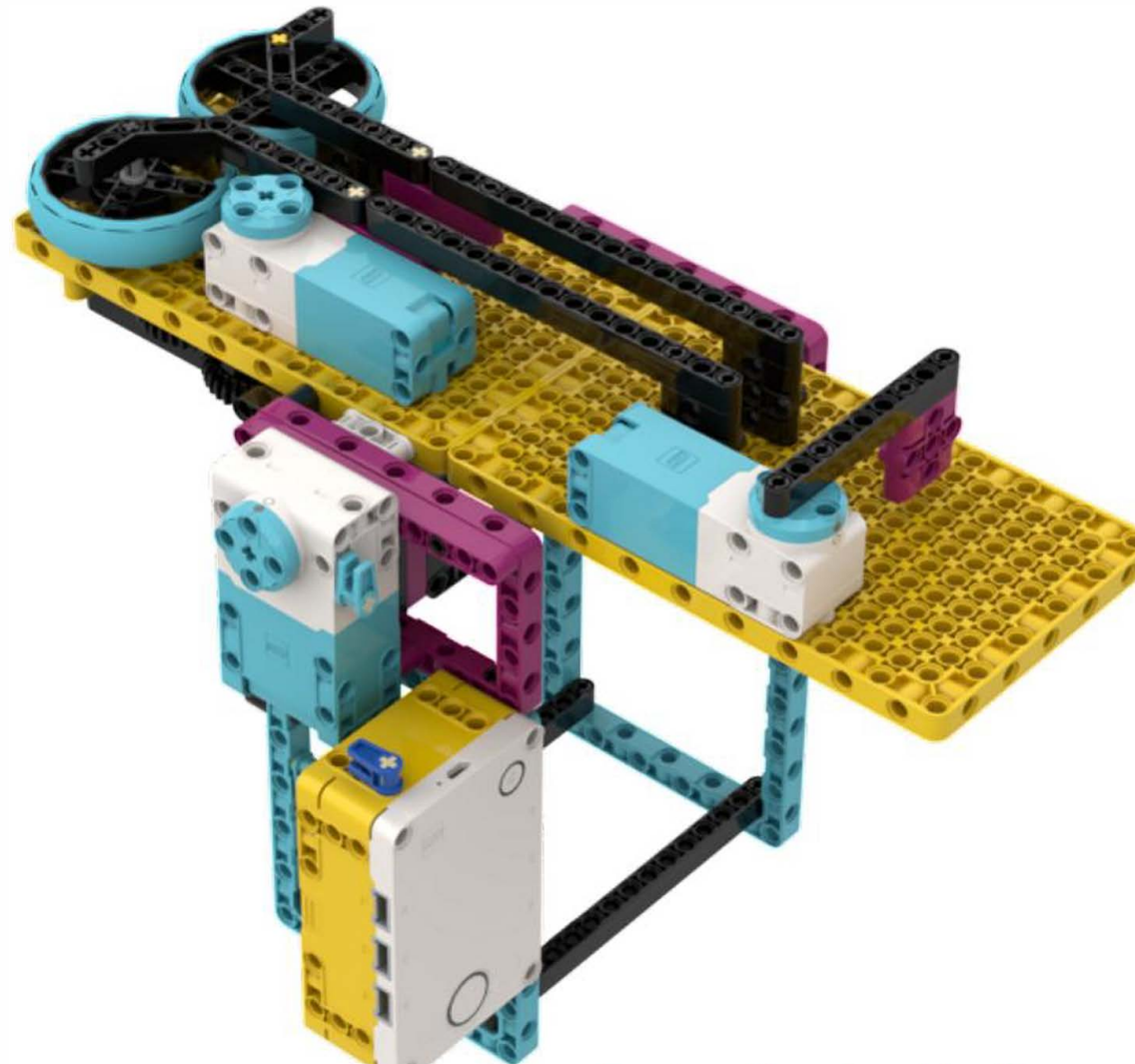


SPIKE PRIME ROCKET LAUNCHER

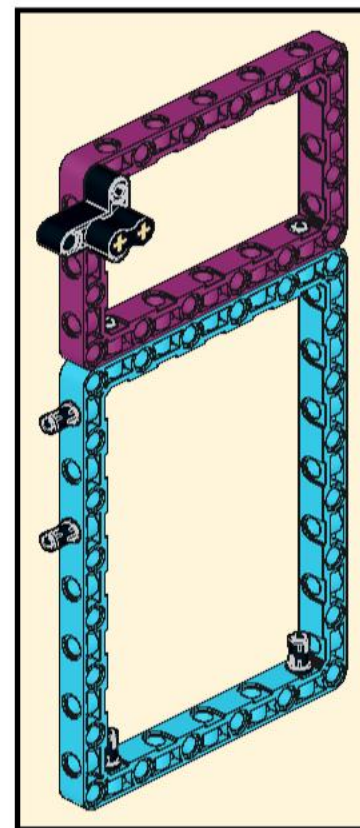
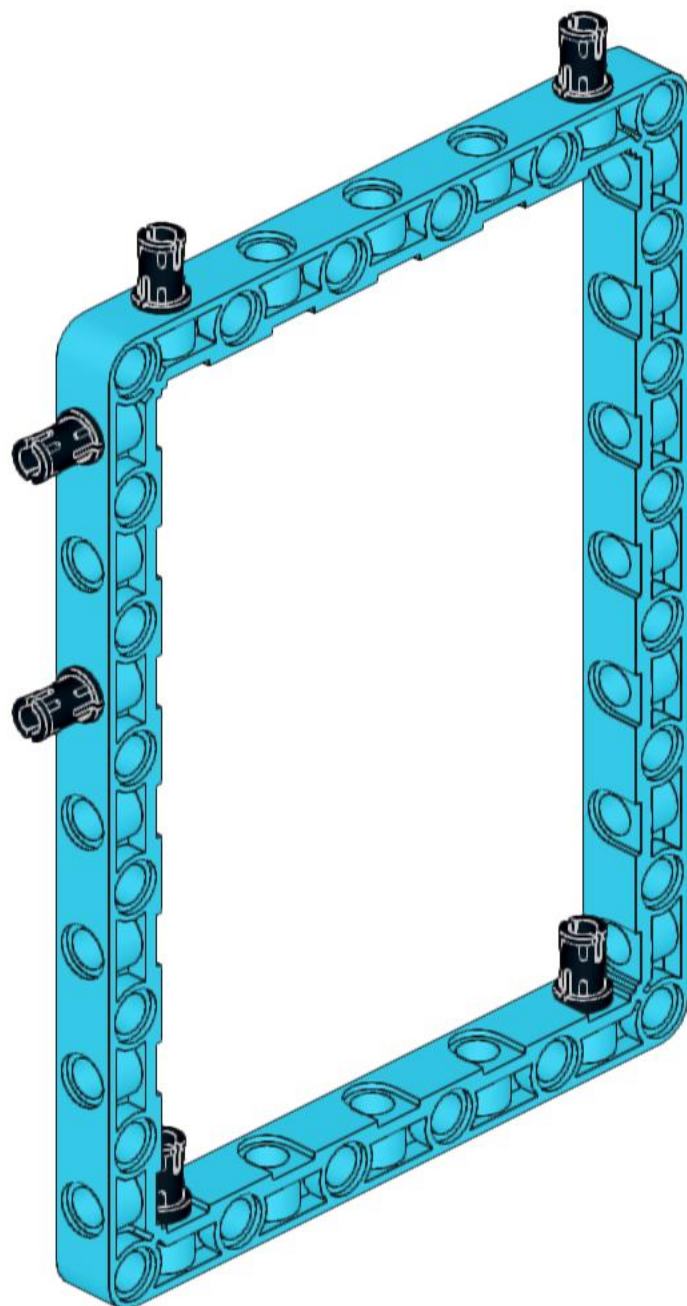
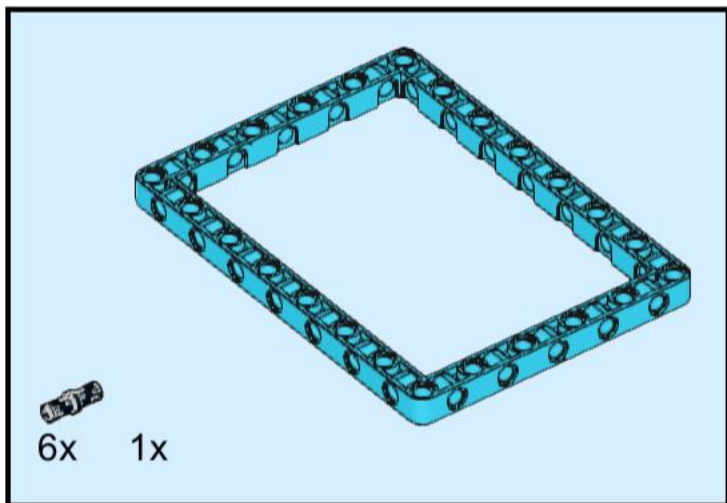
BUILDING INSTRUCTIONS



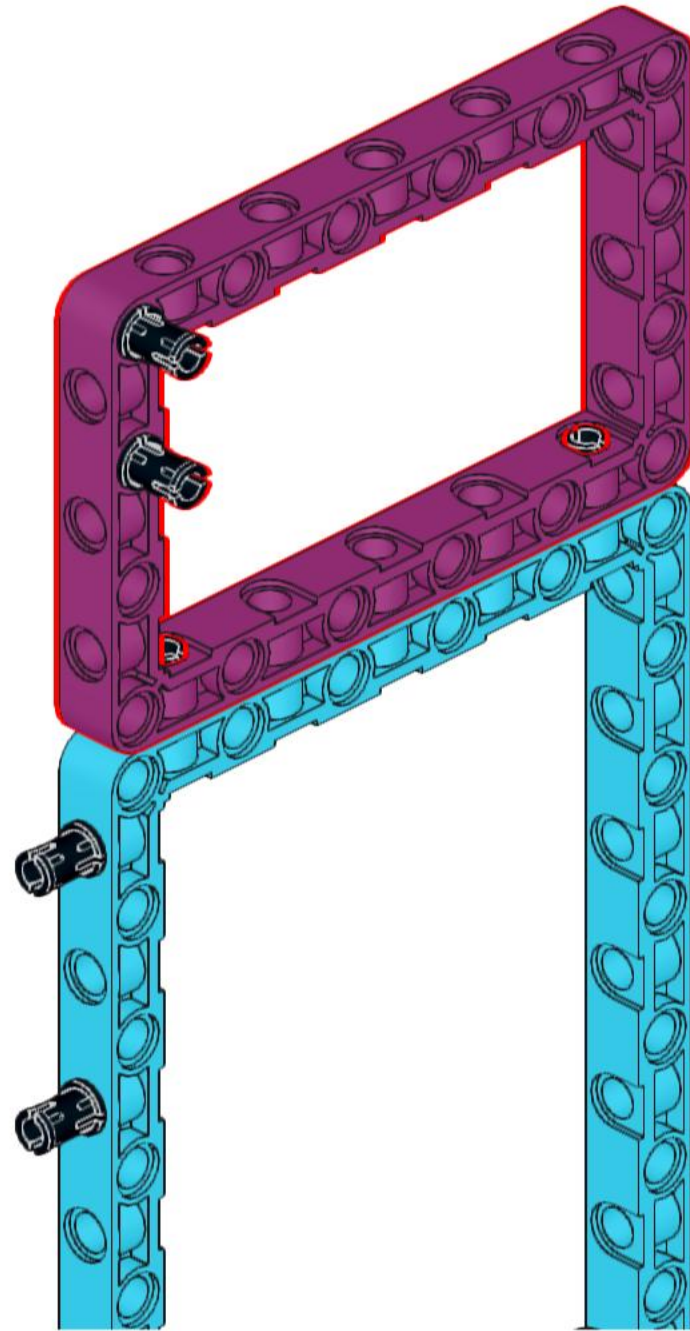
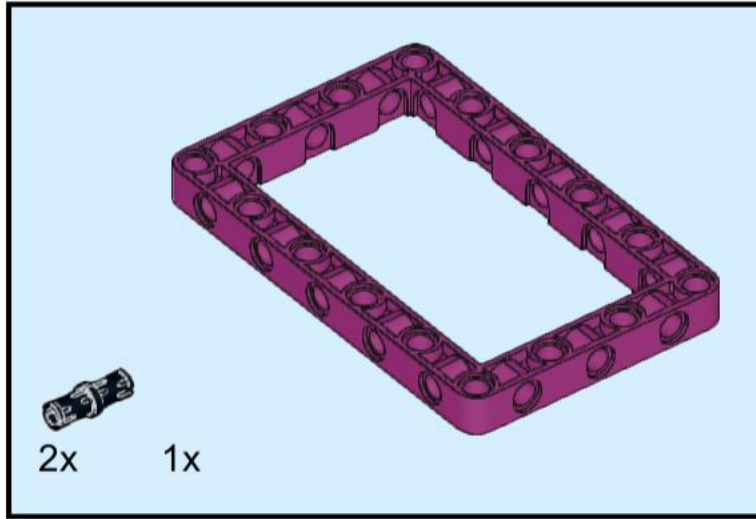
Developed in partnership with



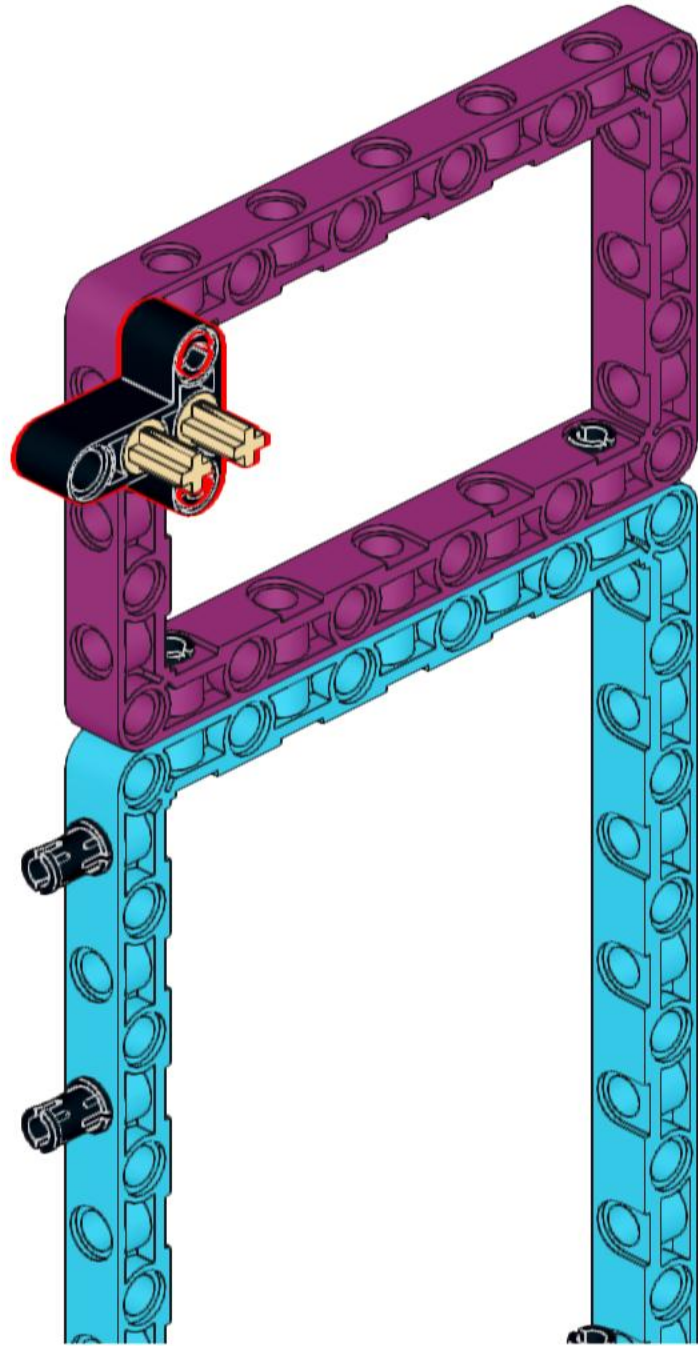
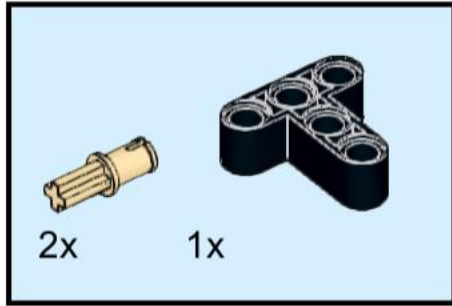
1



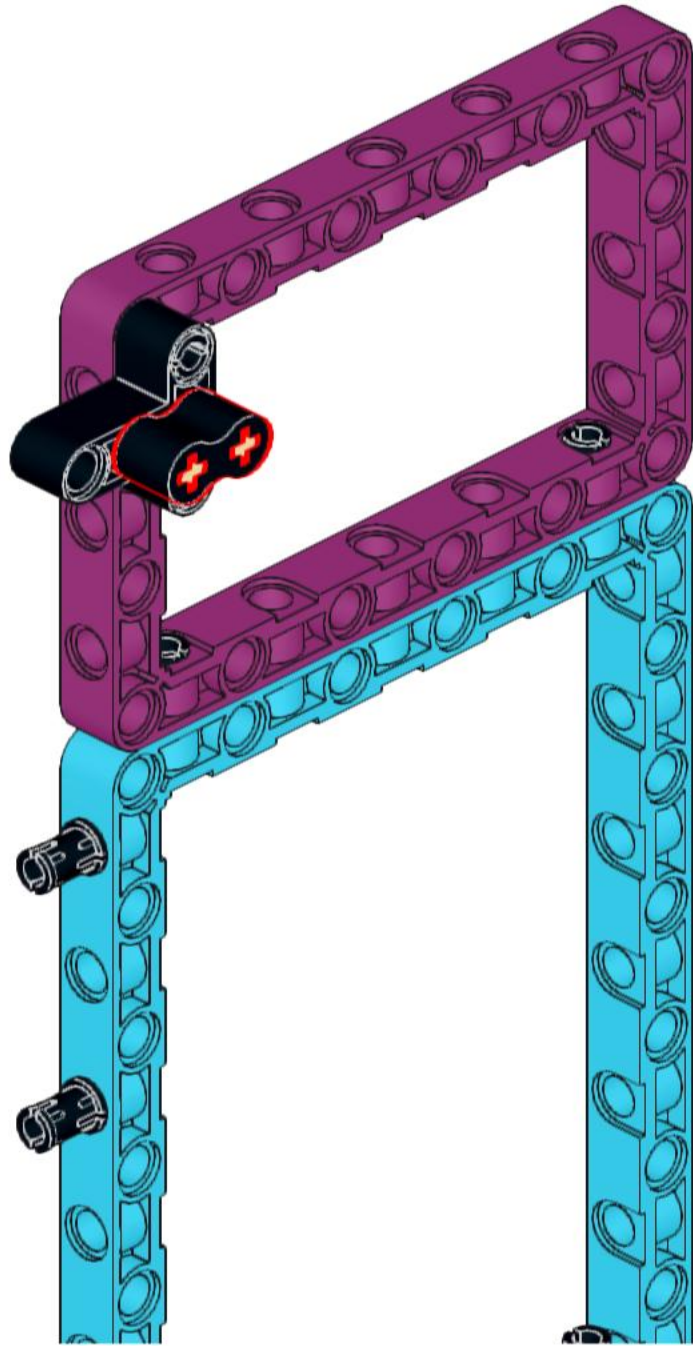
2



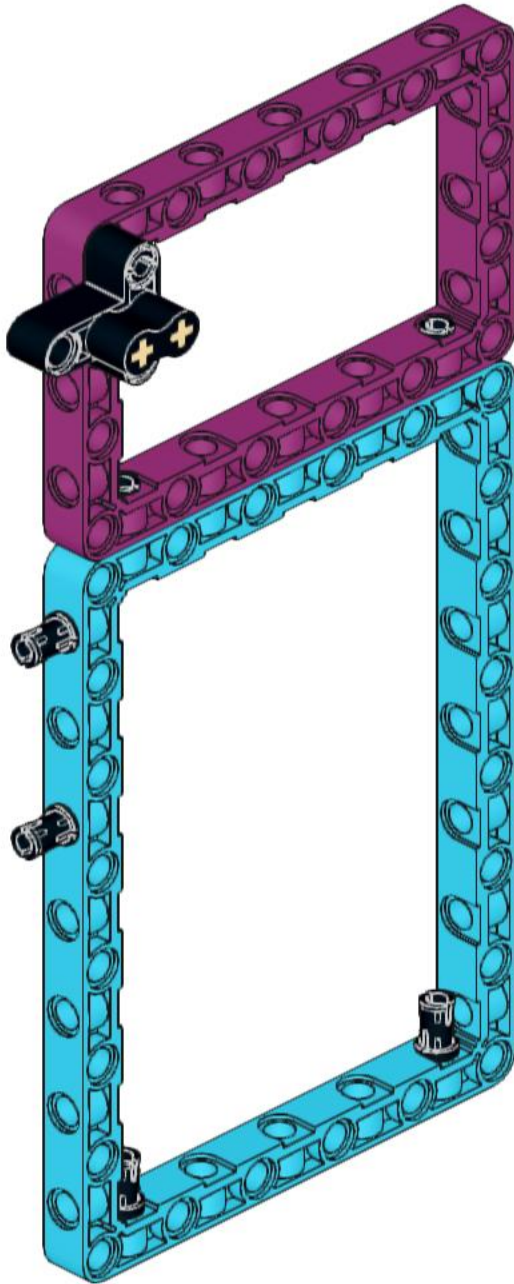
3



4

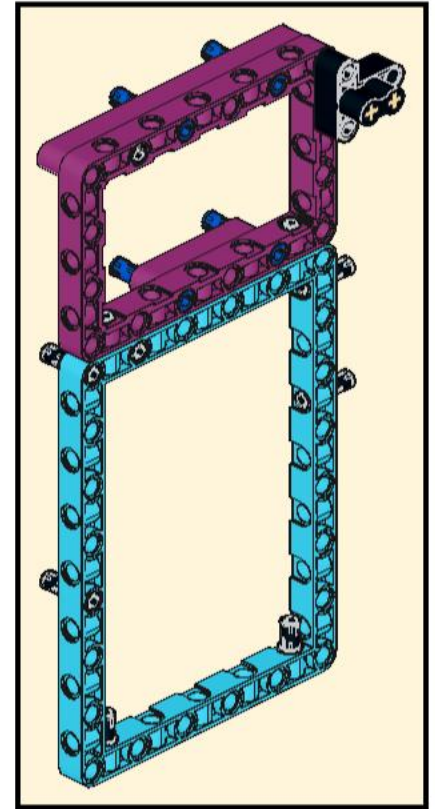
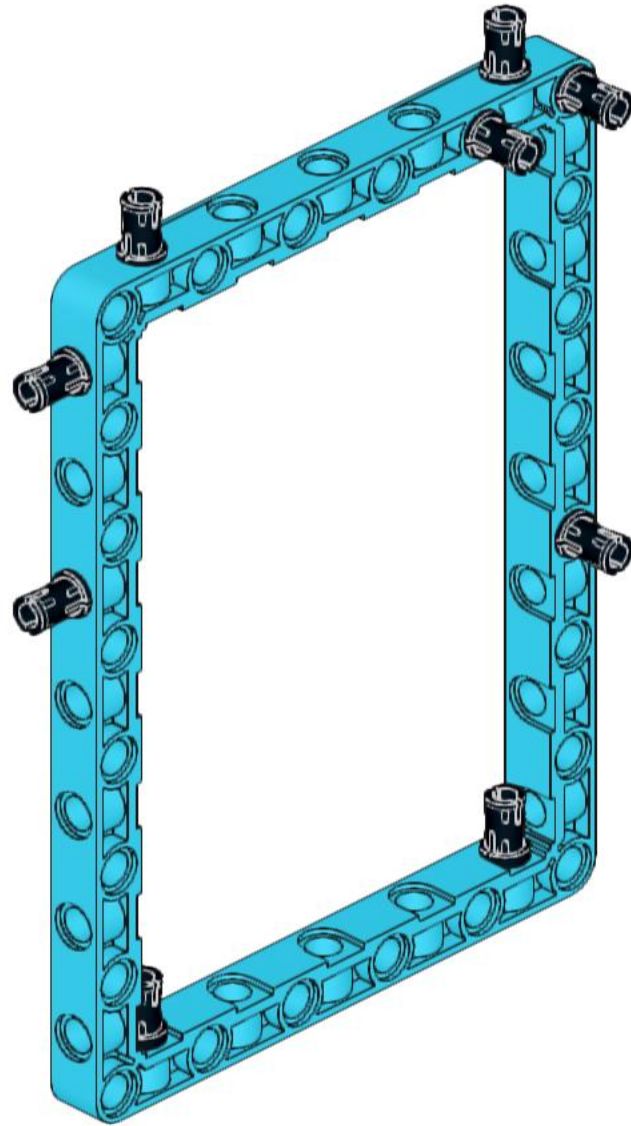
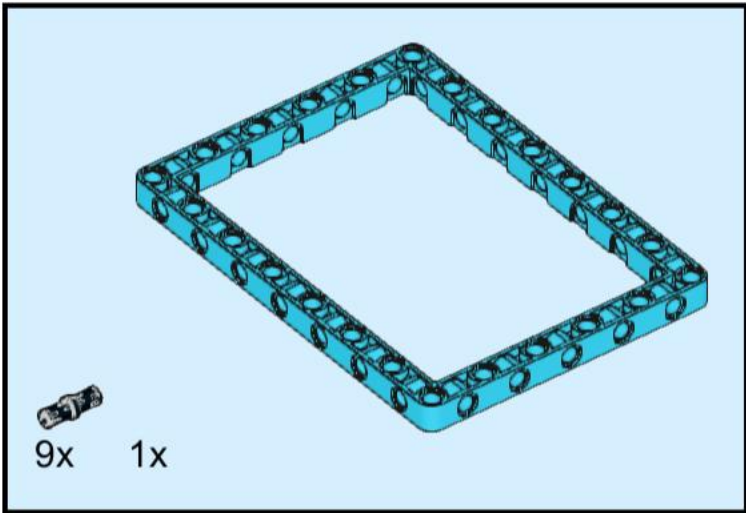


5

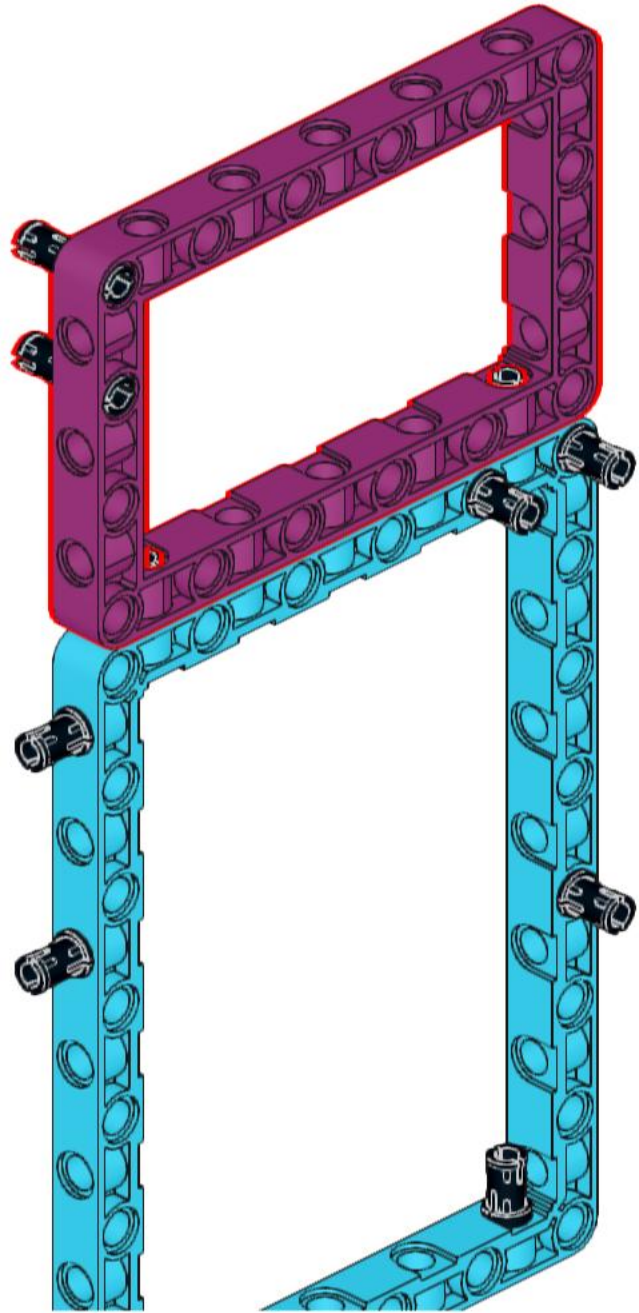
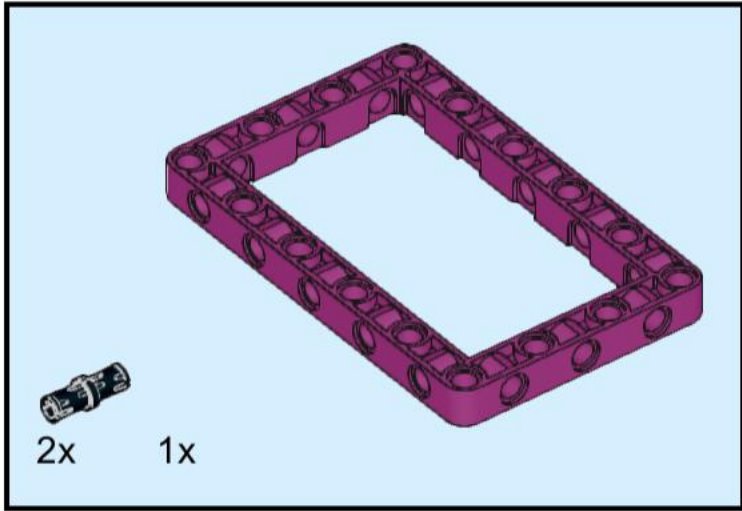


Place this completed section to one side while you build the next section.

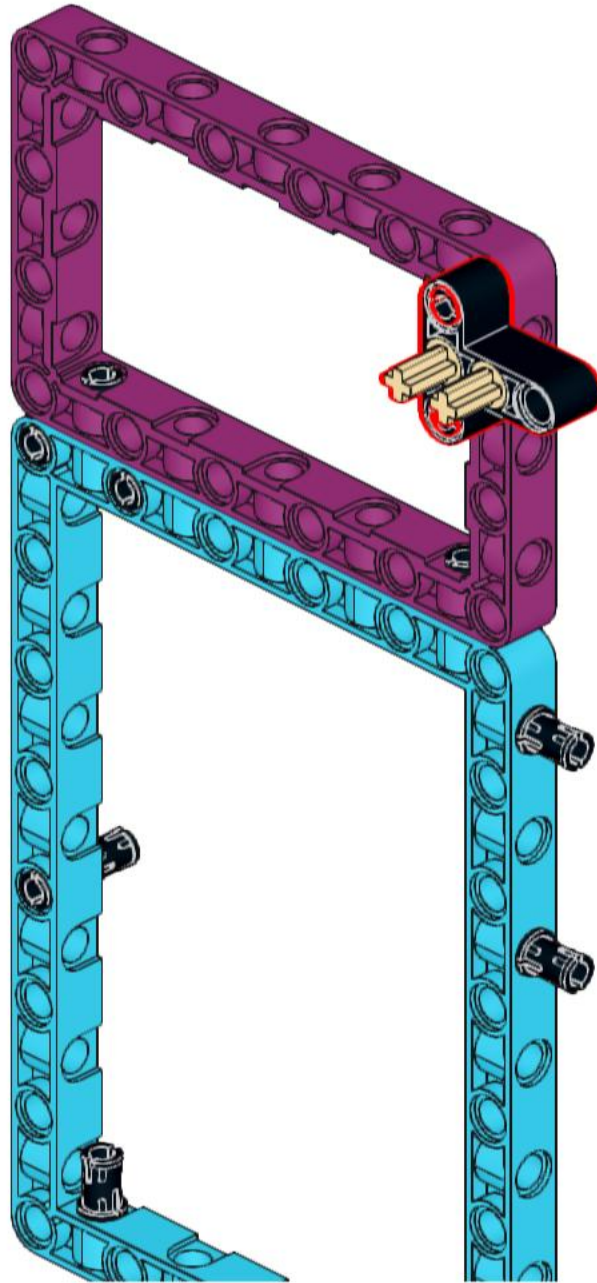
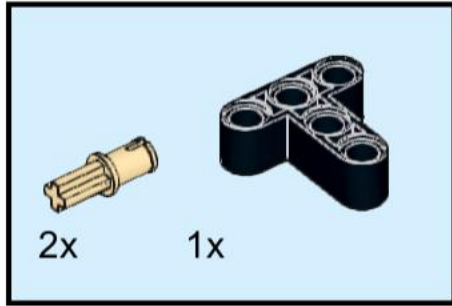
6



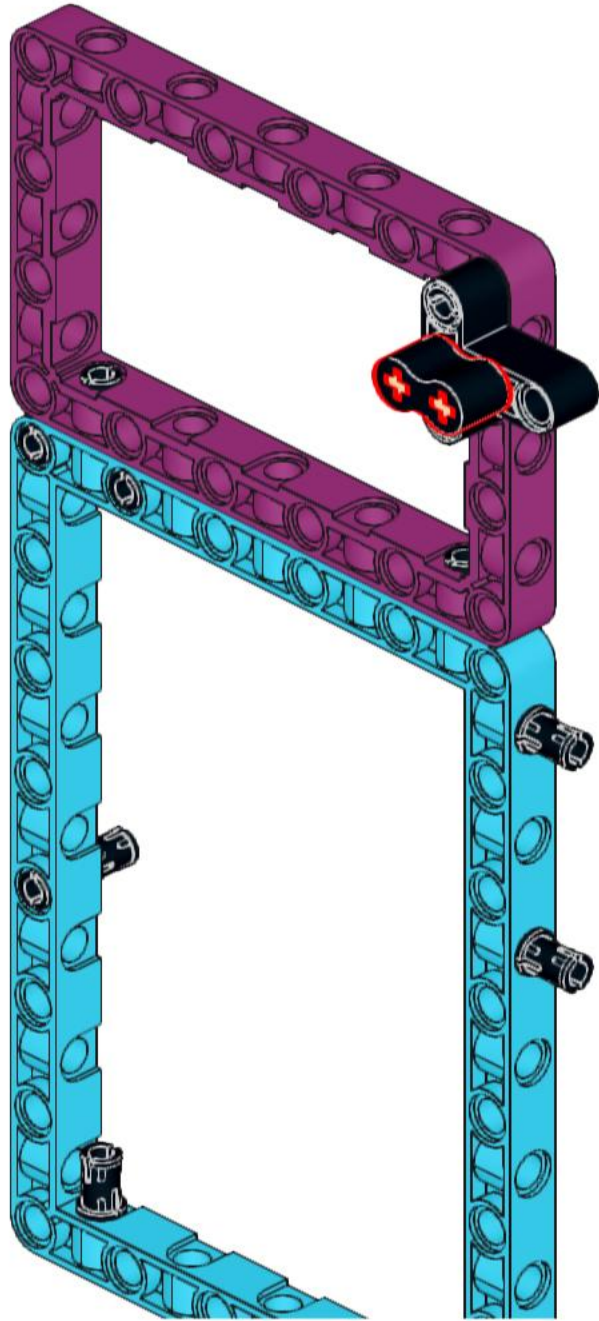
7



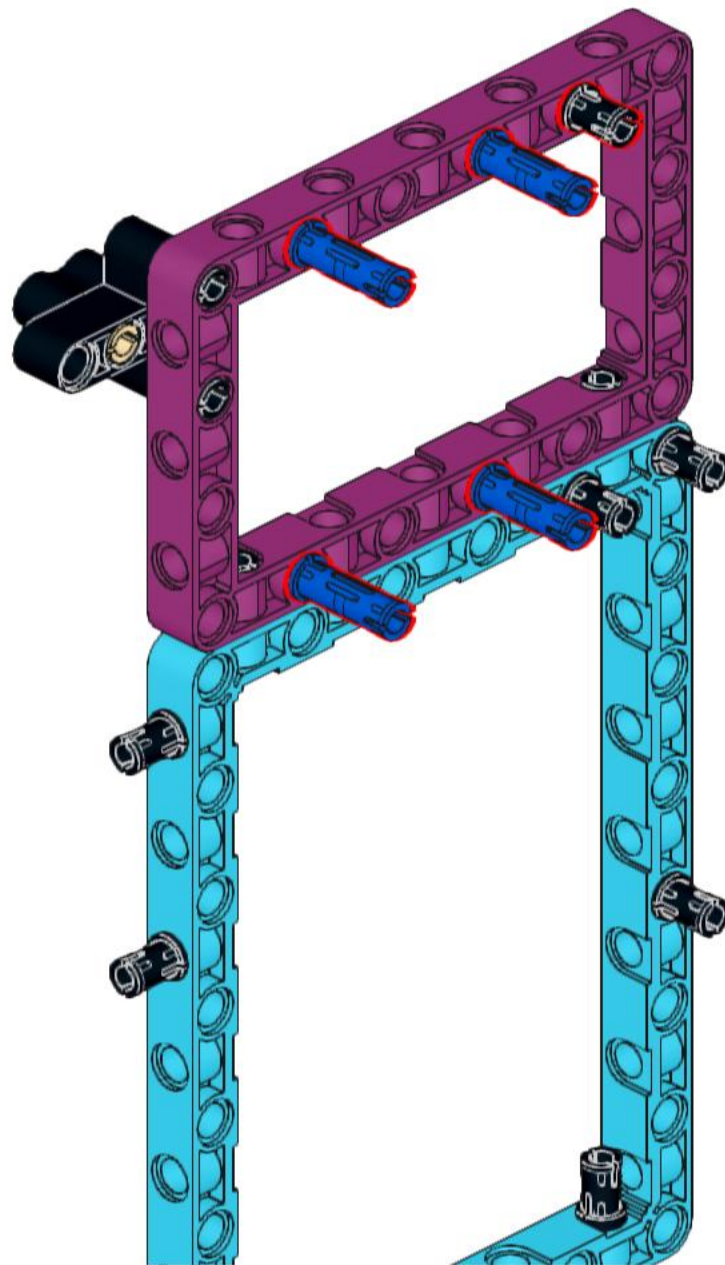
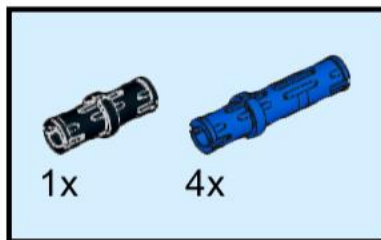
8



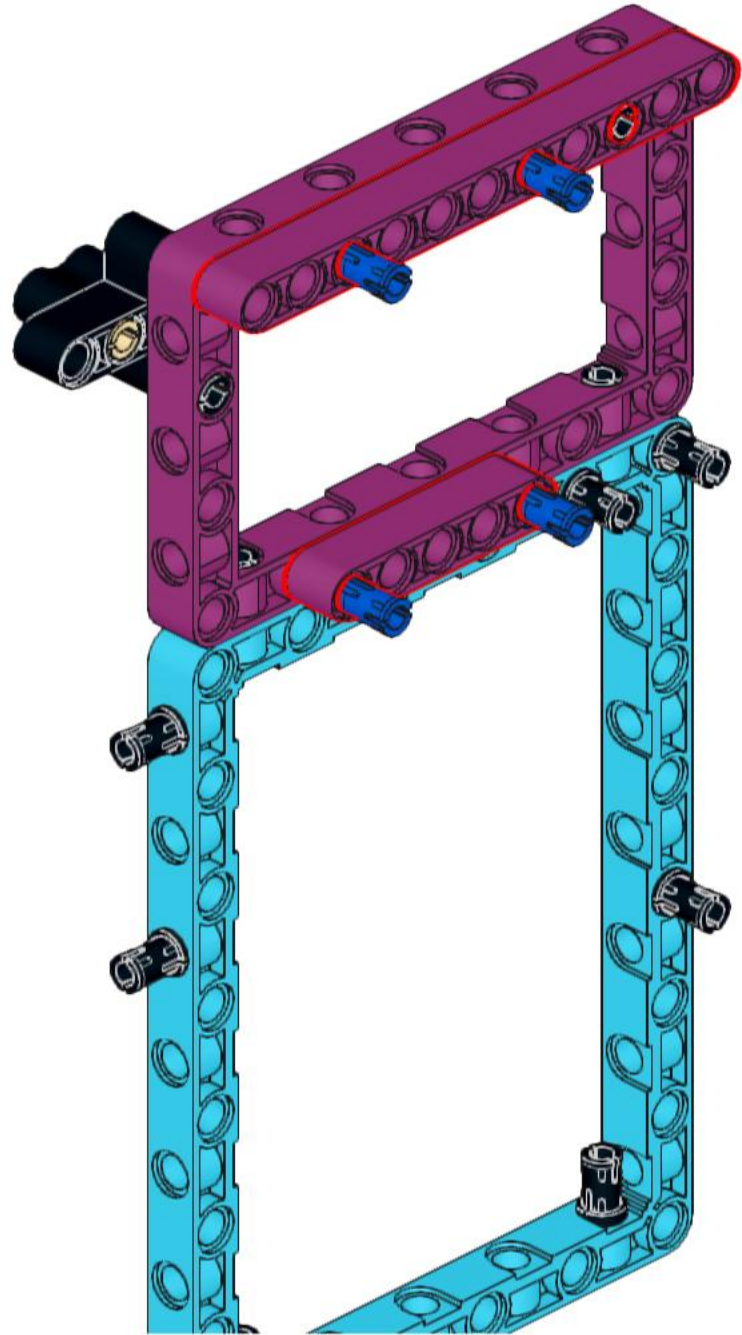
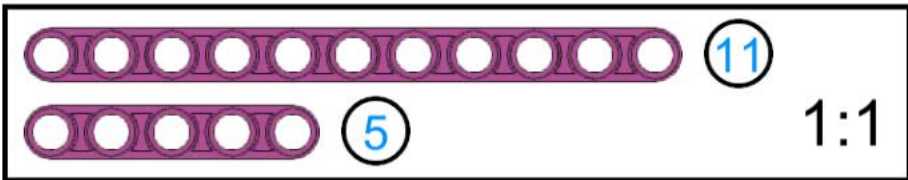
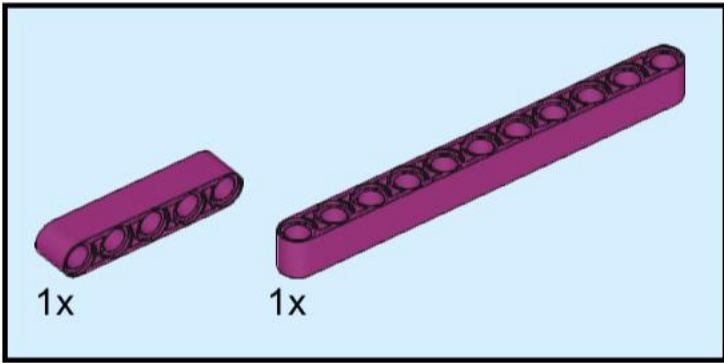
9



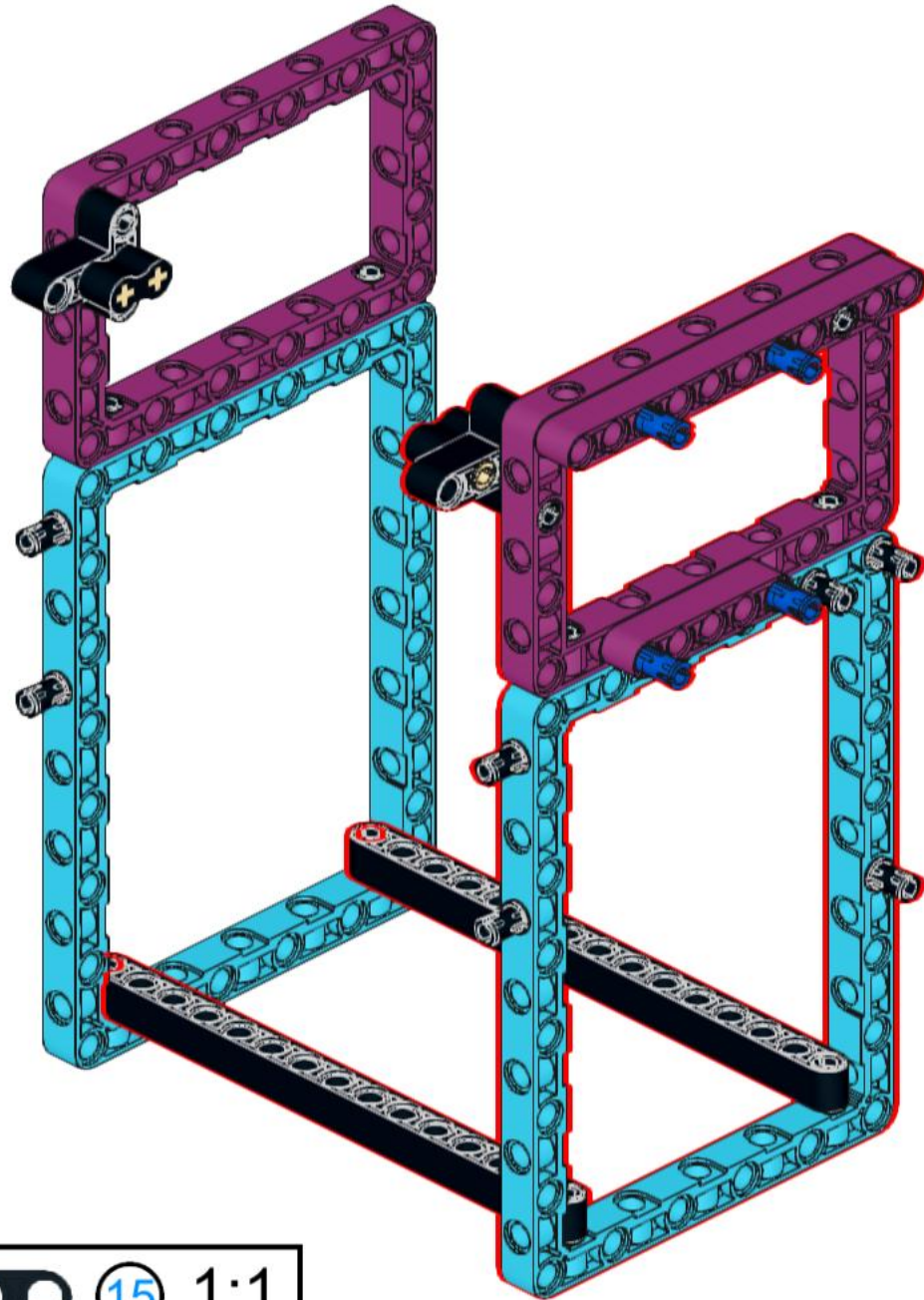
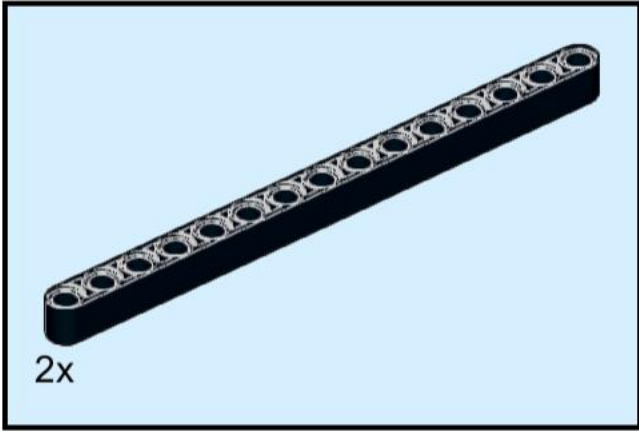
10



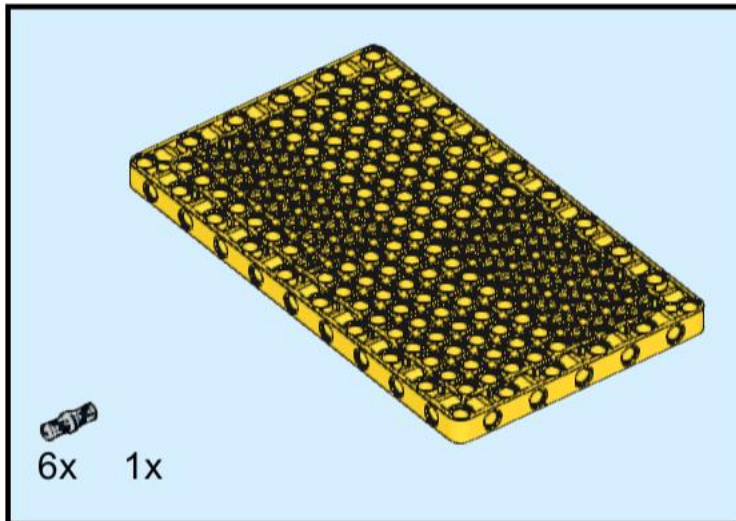
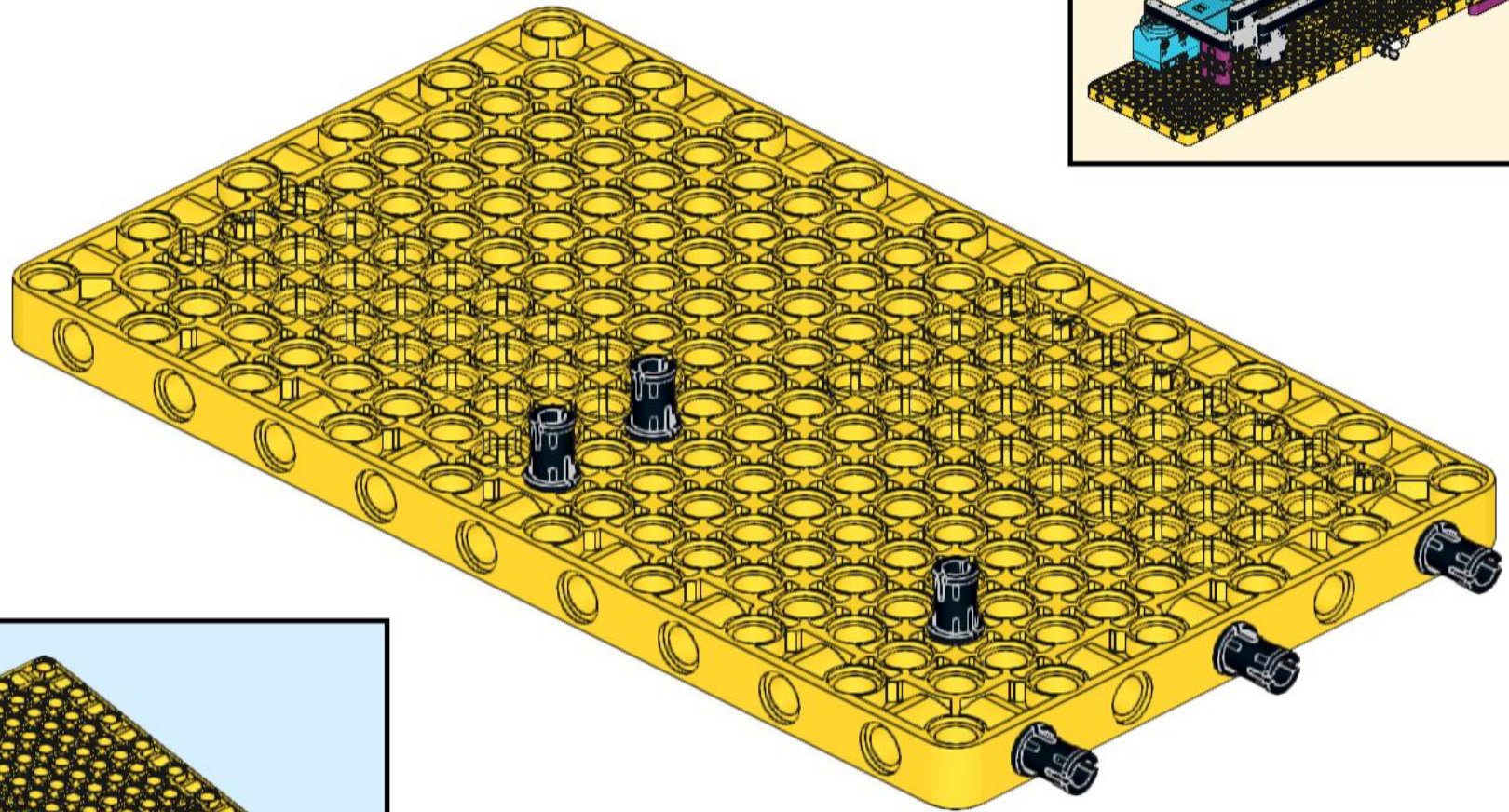
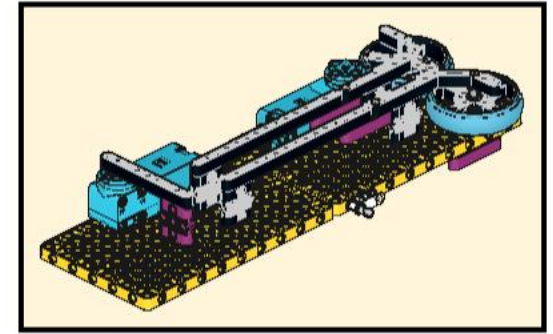
11



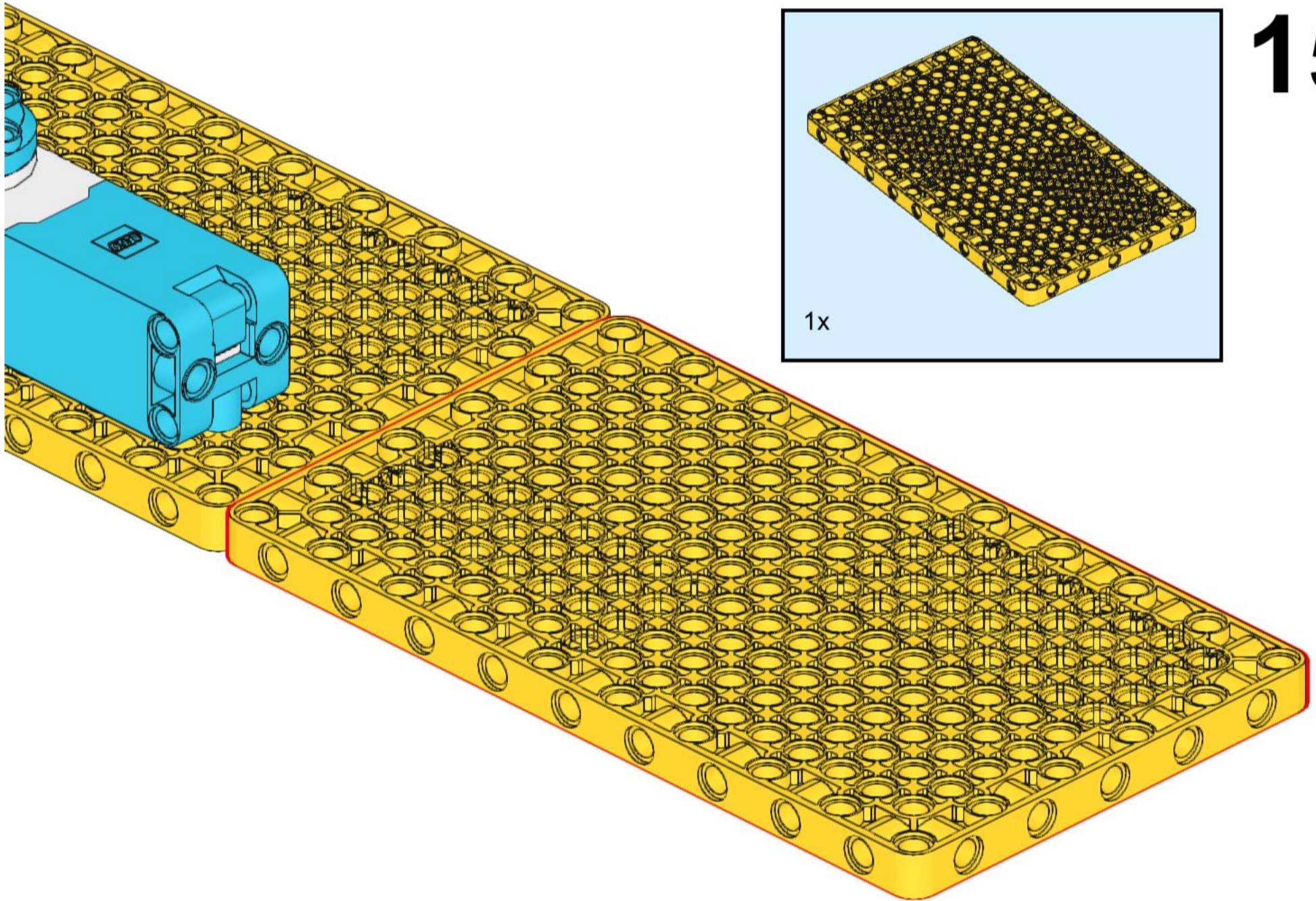
12



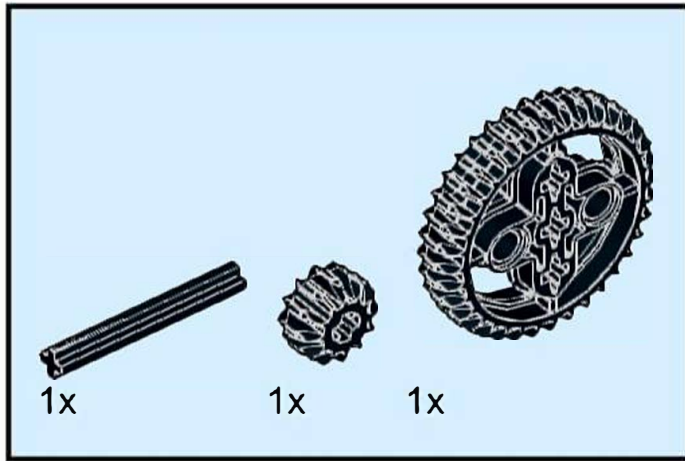
13



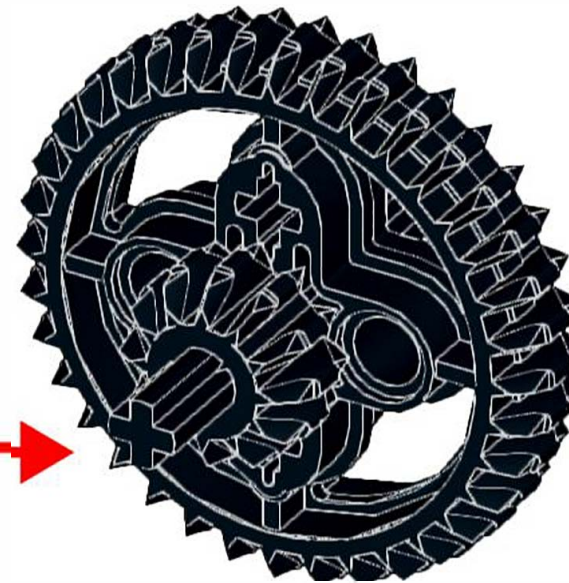
15



16

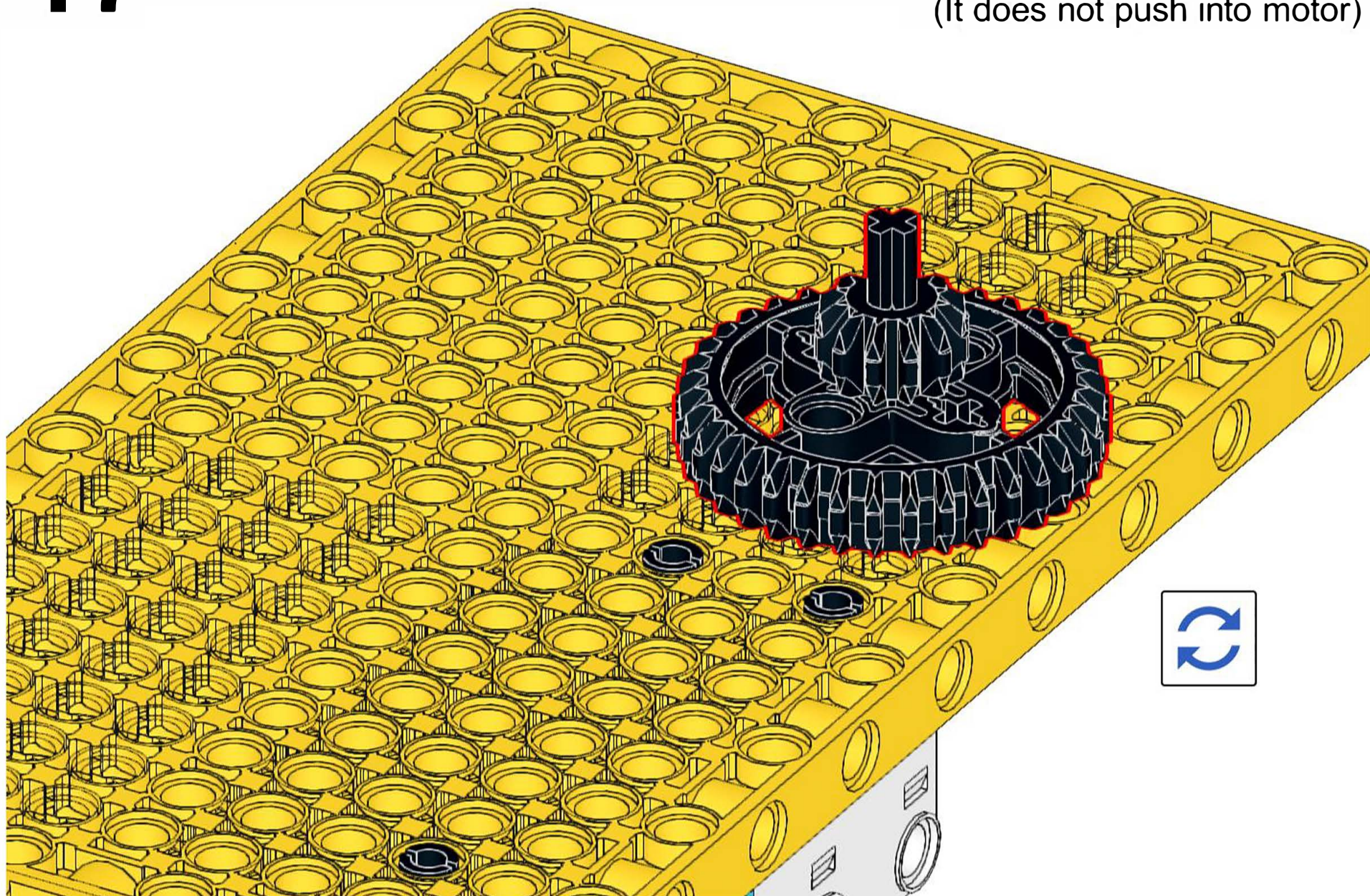


Leave 1 stud length of axle sticking out of the gear on either side.

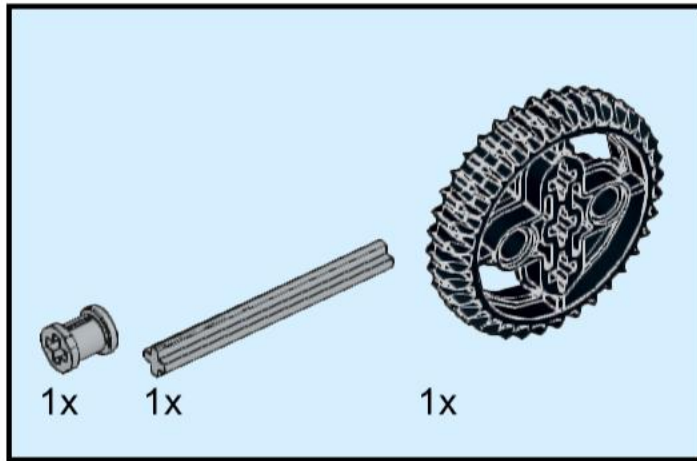


17

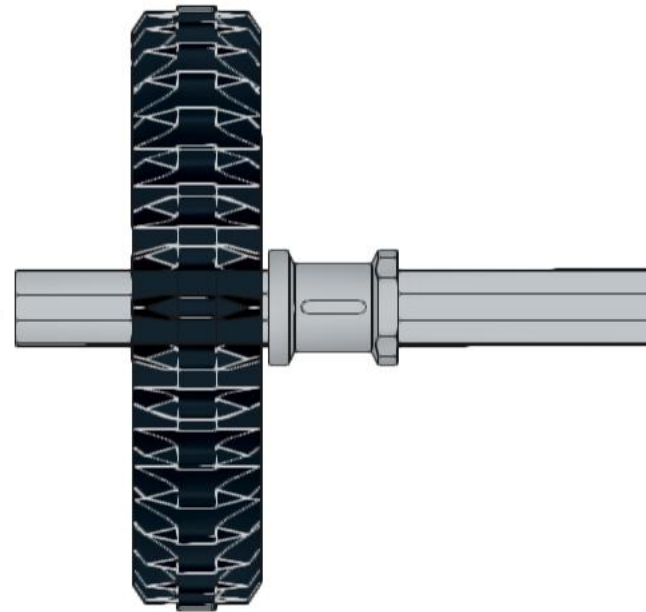
Place gear assembly in yellow base ensuring location is correct.
(It does not push into motor)



18

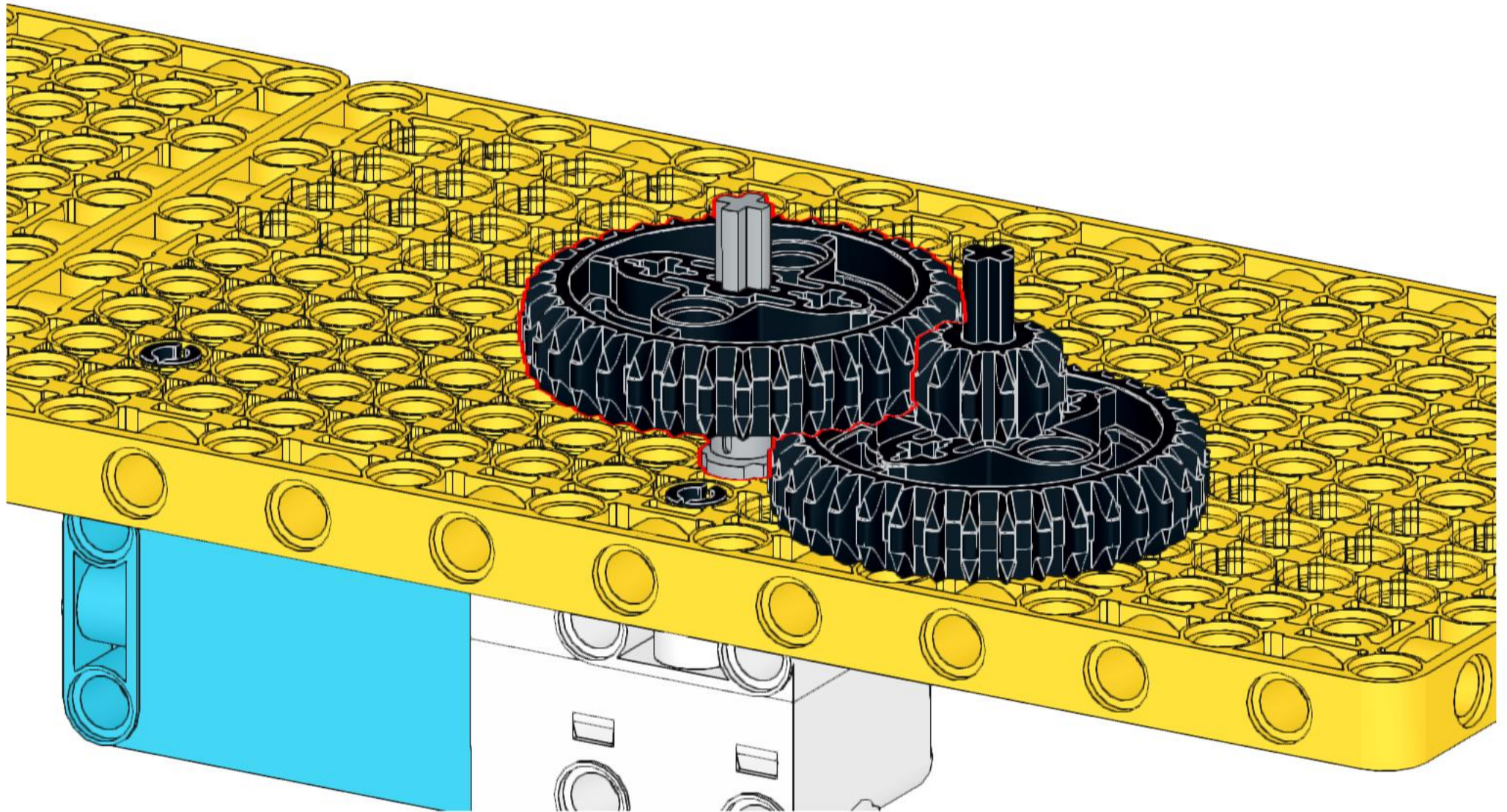


Assemble these parts so 1 stud length of axle is sticking out of the gear on this side.

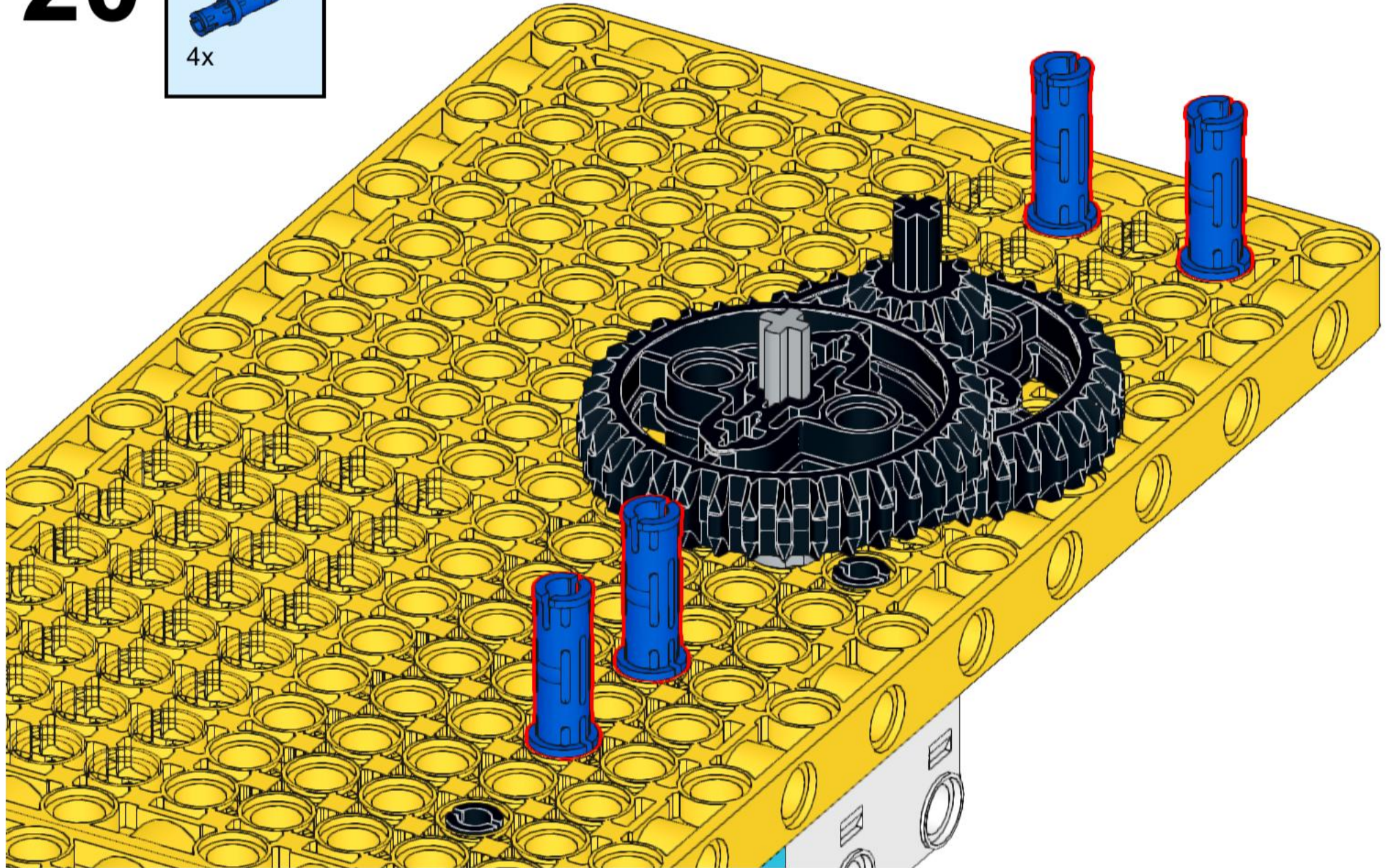


Insert this gear assembly so it connects into the motor and holds the first gear assembly in place.

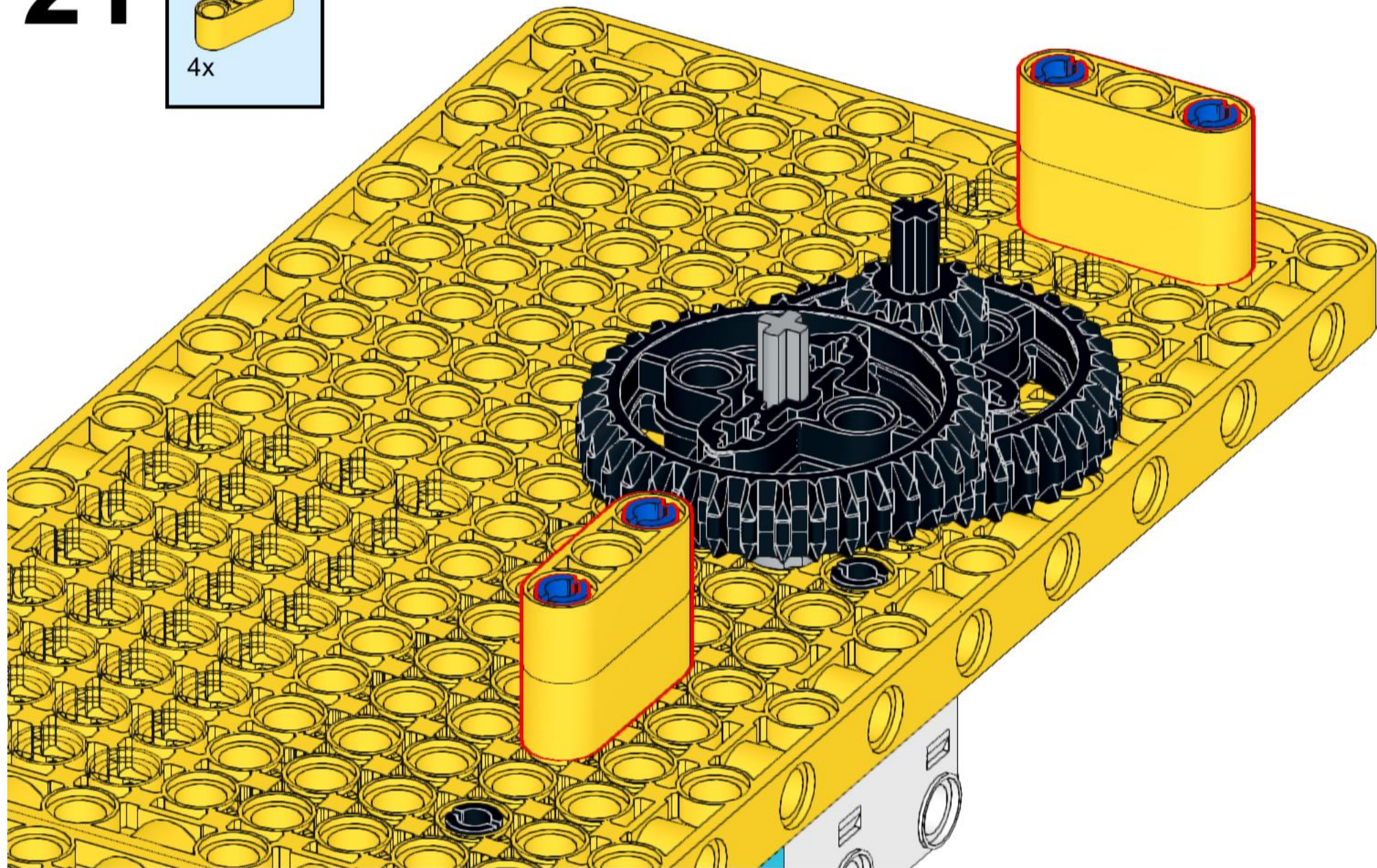
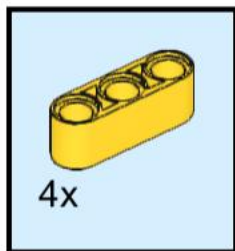
19



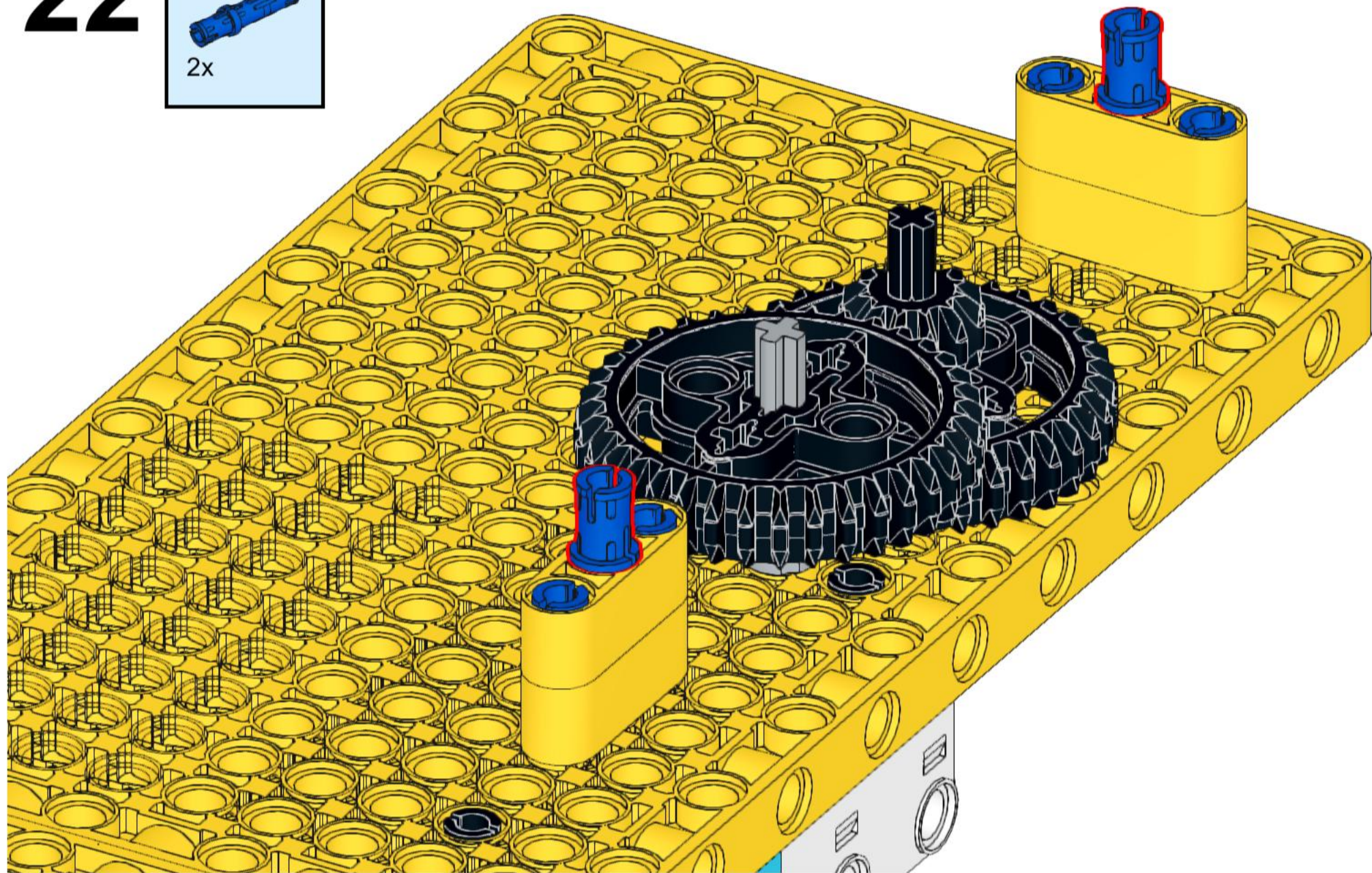
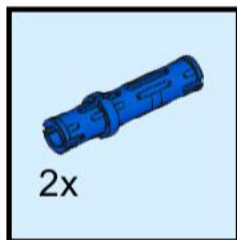
20



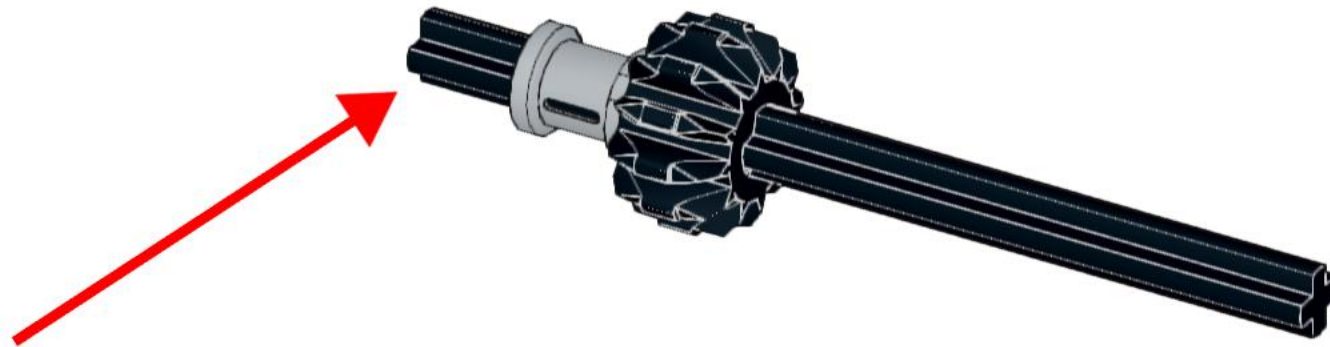
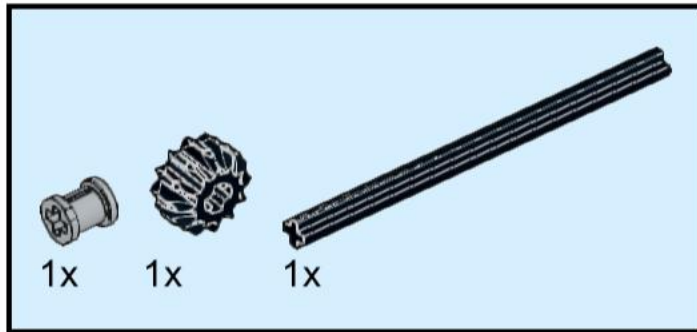
21



22

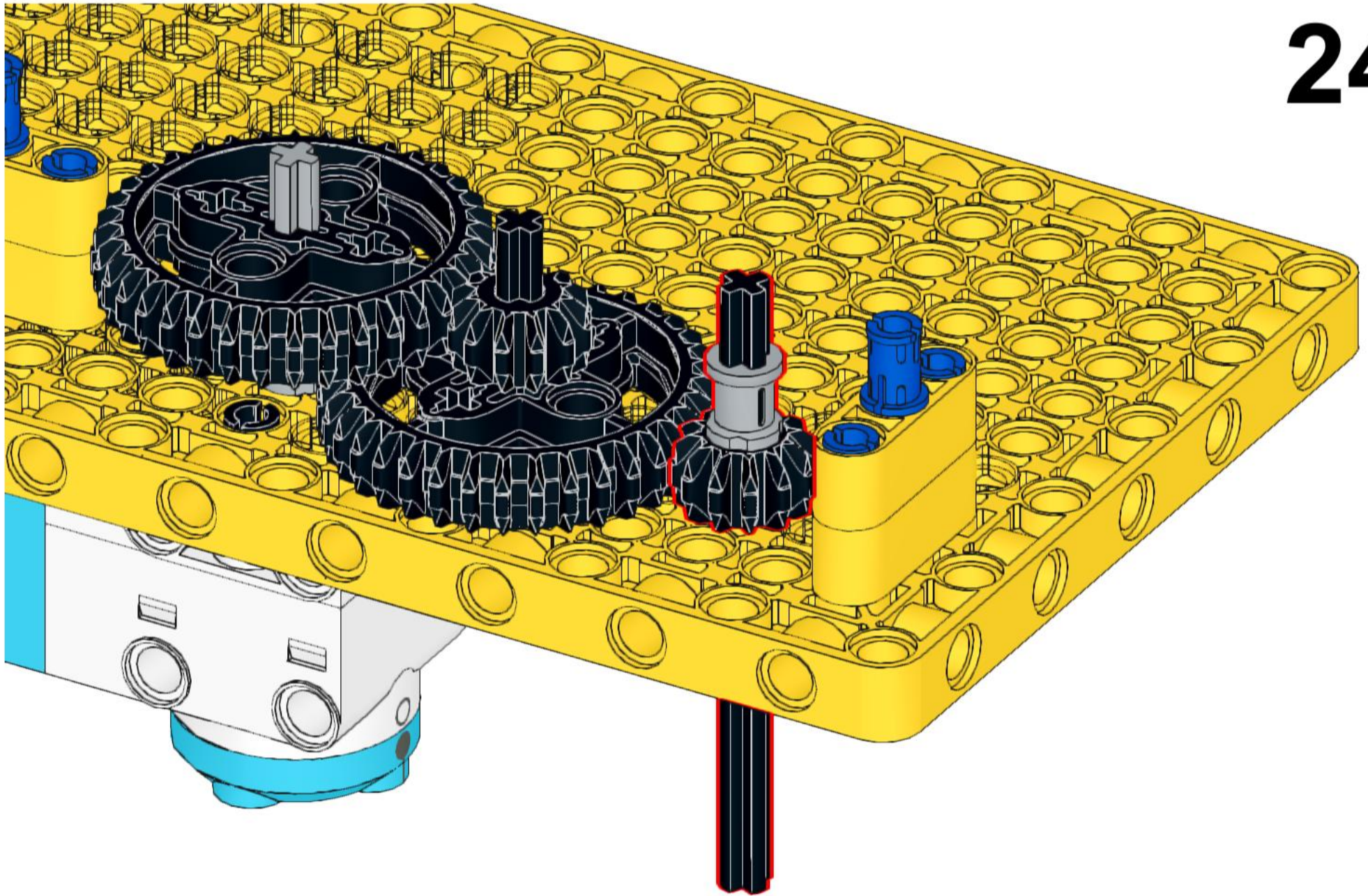


23

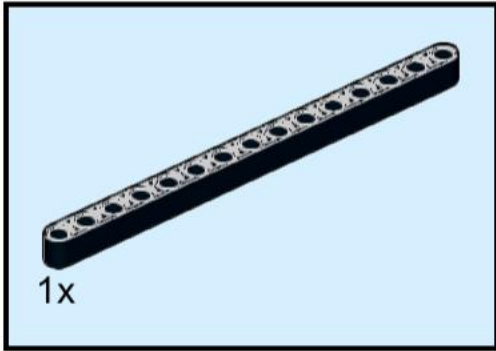


Assemble these parts so
1 stud length of axle is
sticking out on this side.

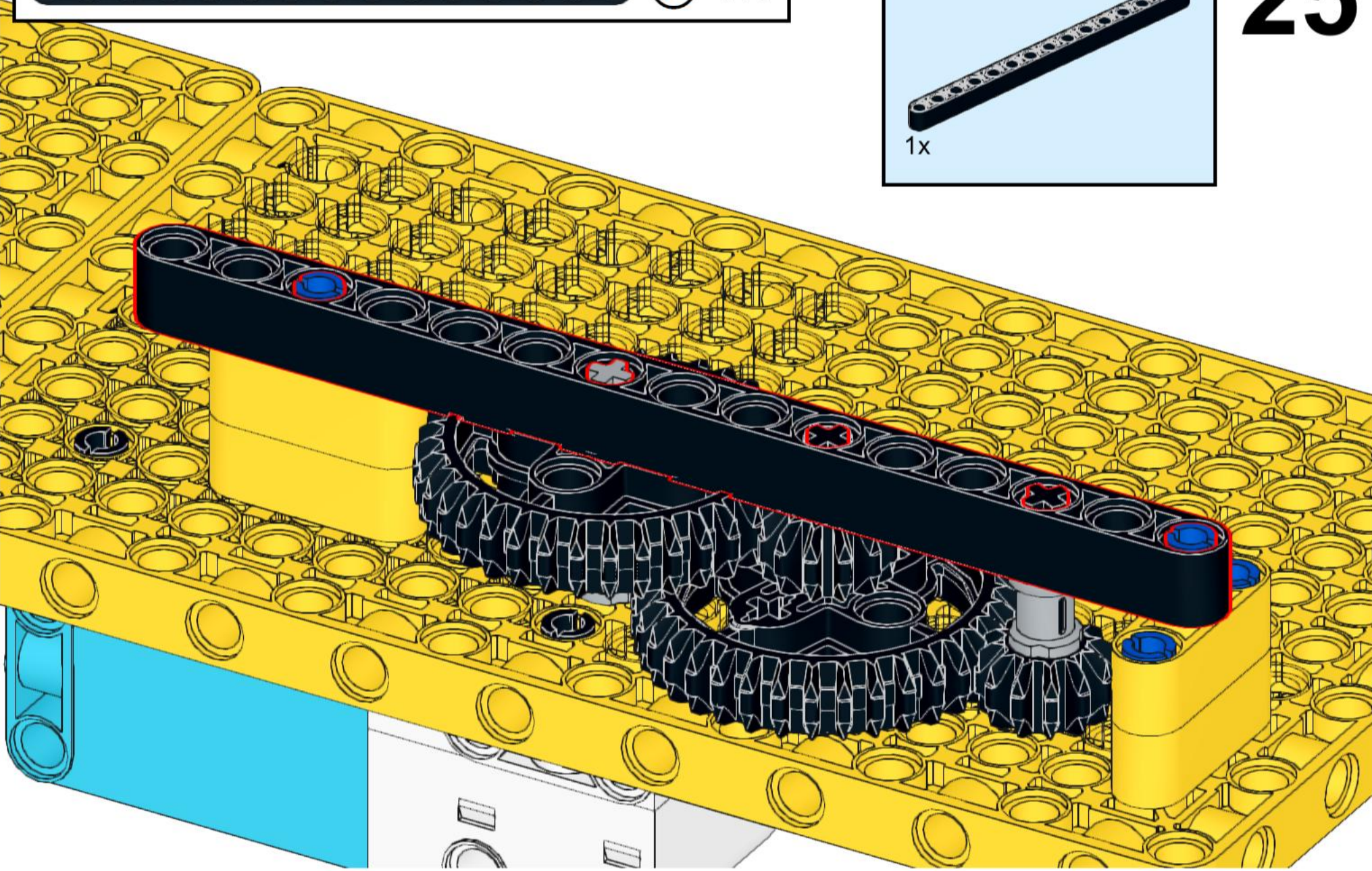




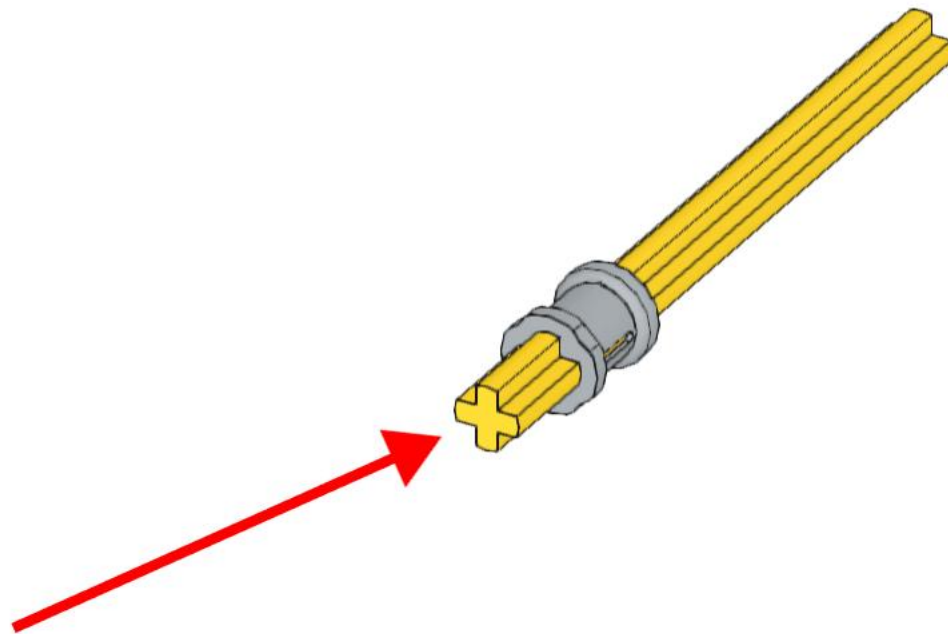
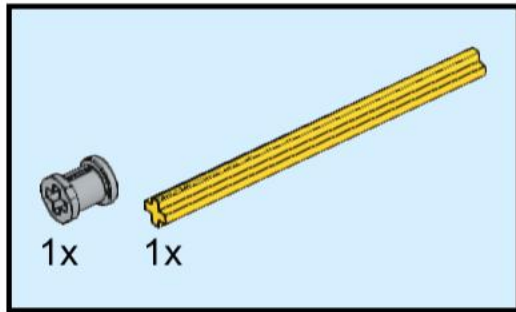
15 1:1



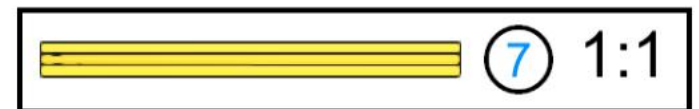
25

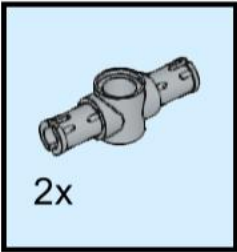


26

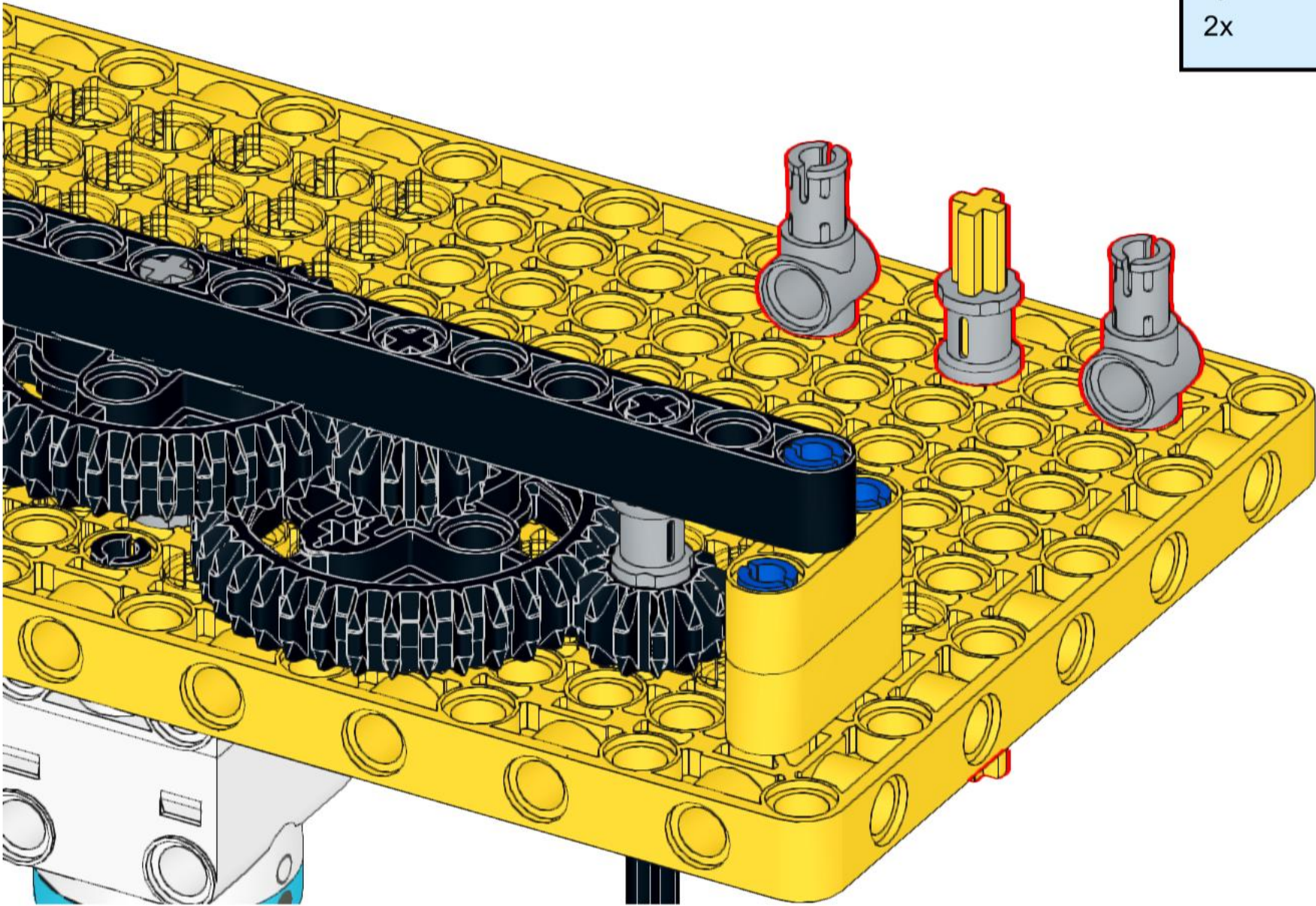


Assemble these parts so
1 stud length of axle is
sticking out on this side.

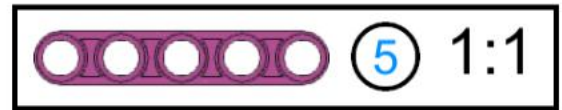
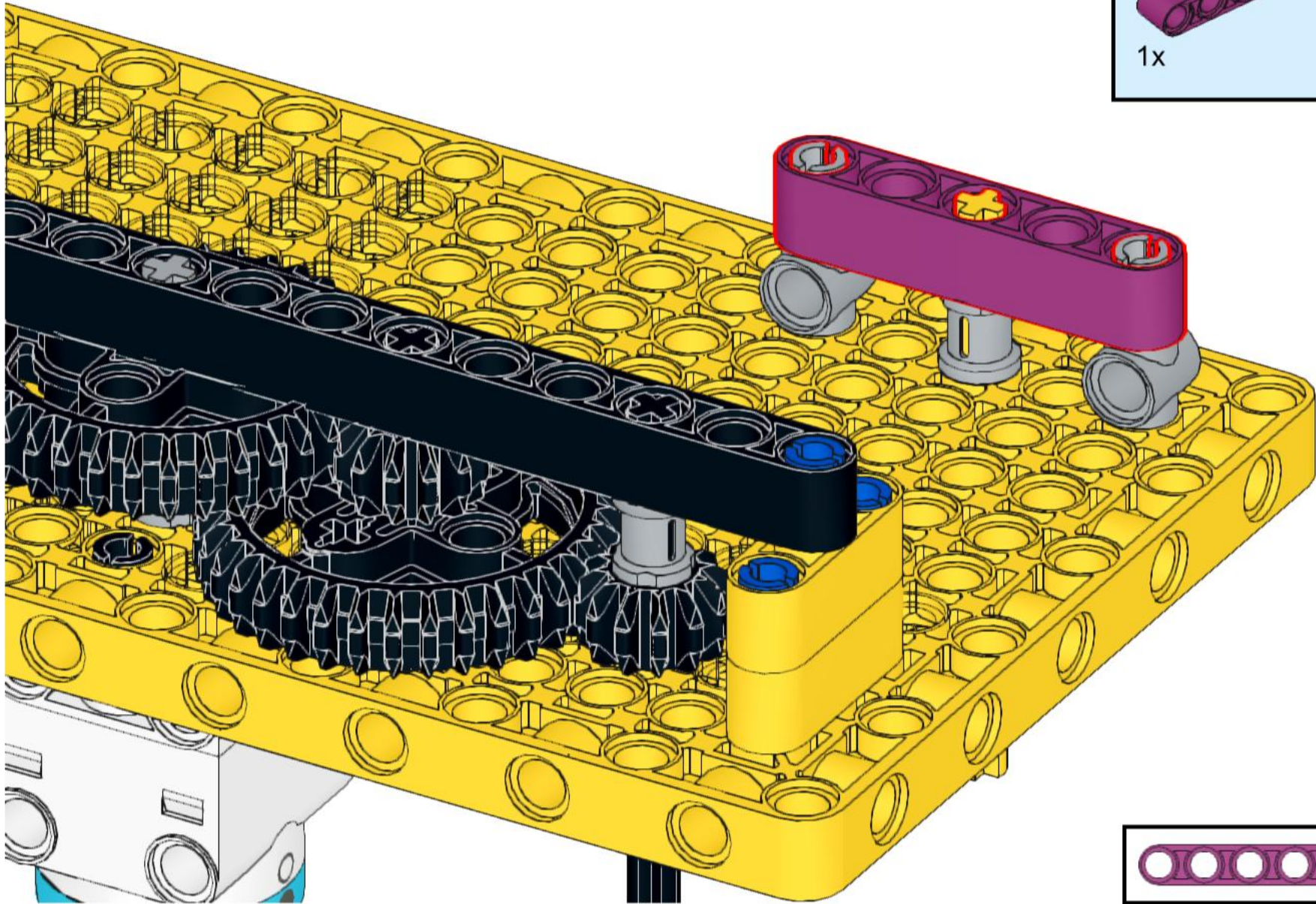
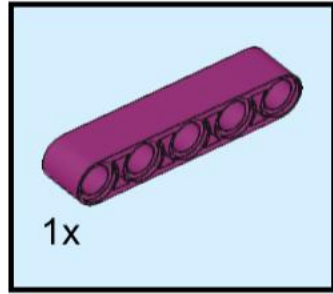


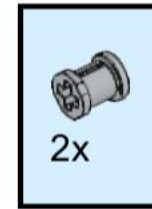
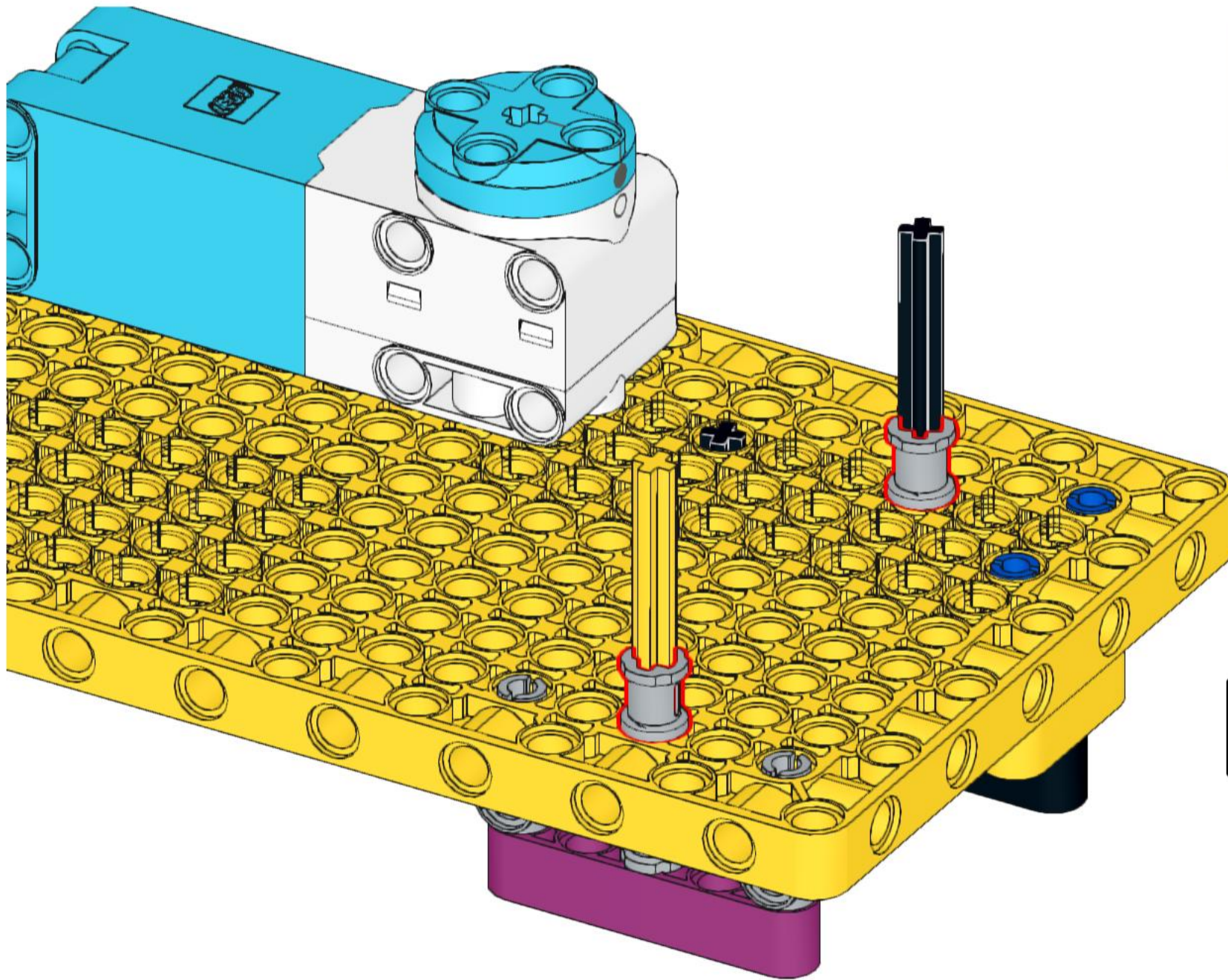


27



28

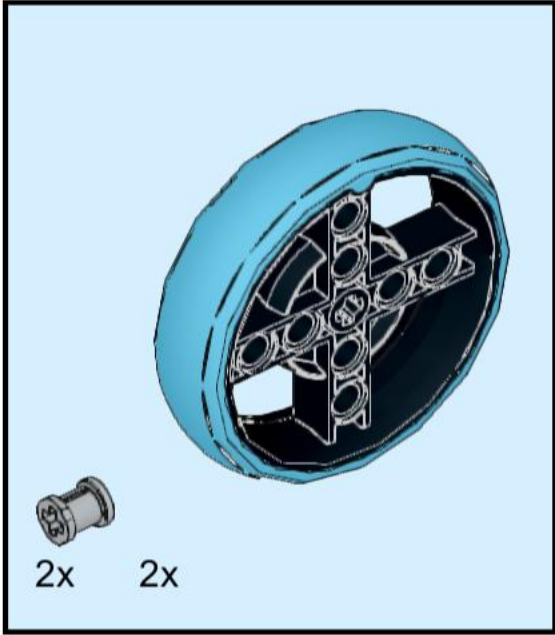
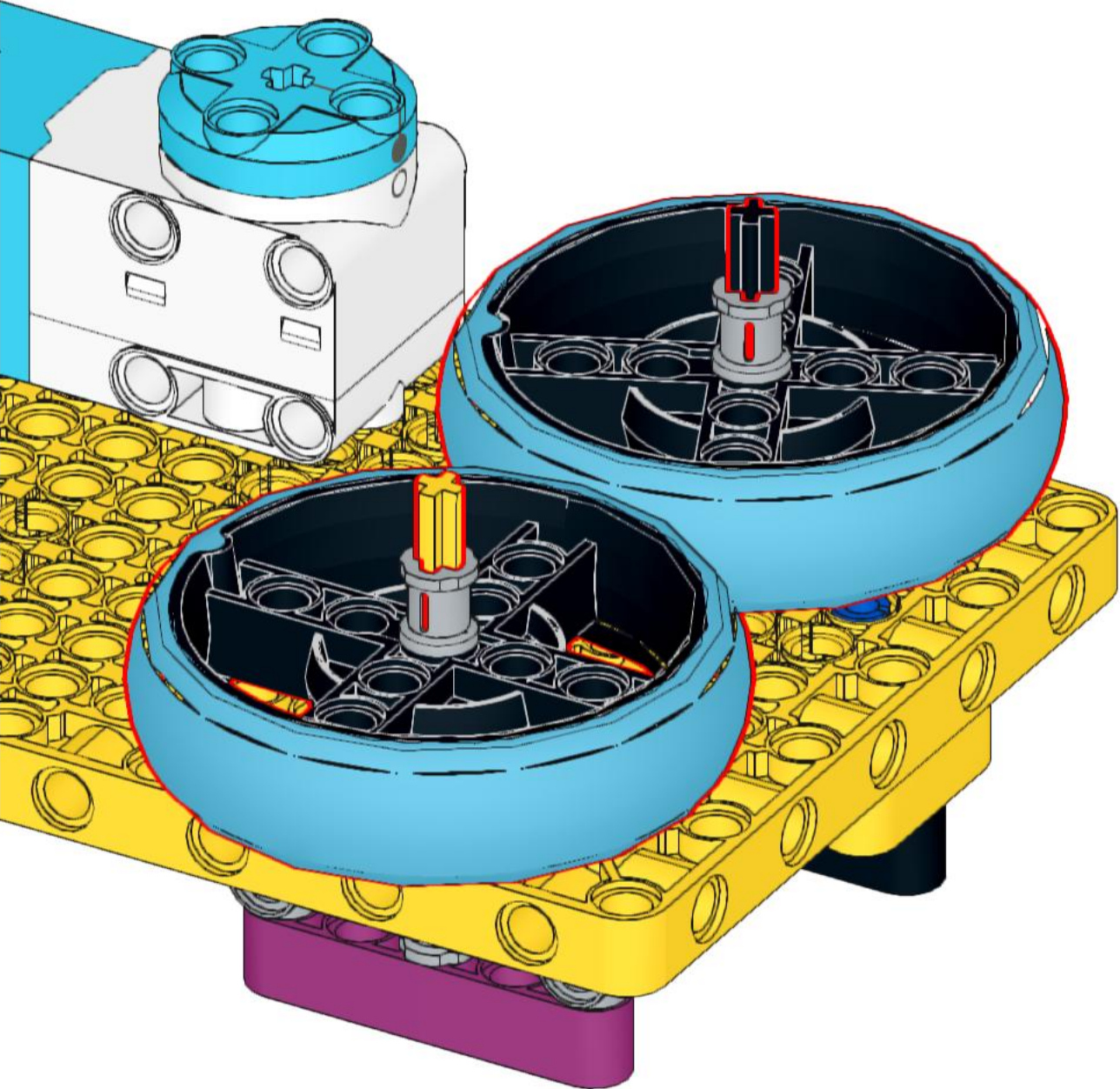




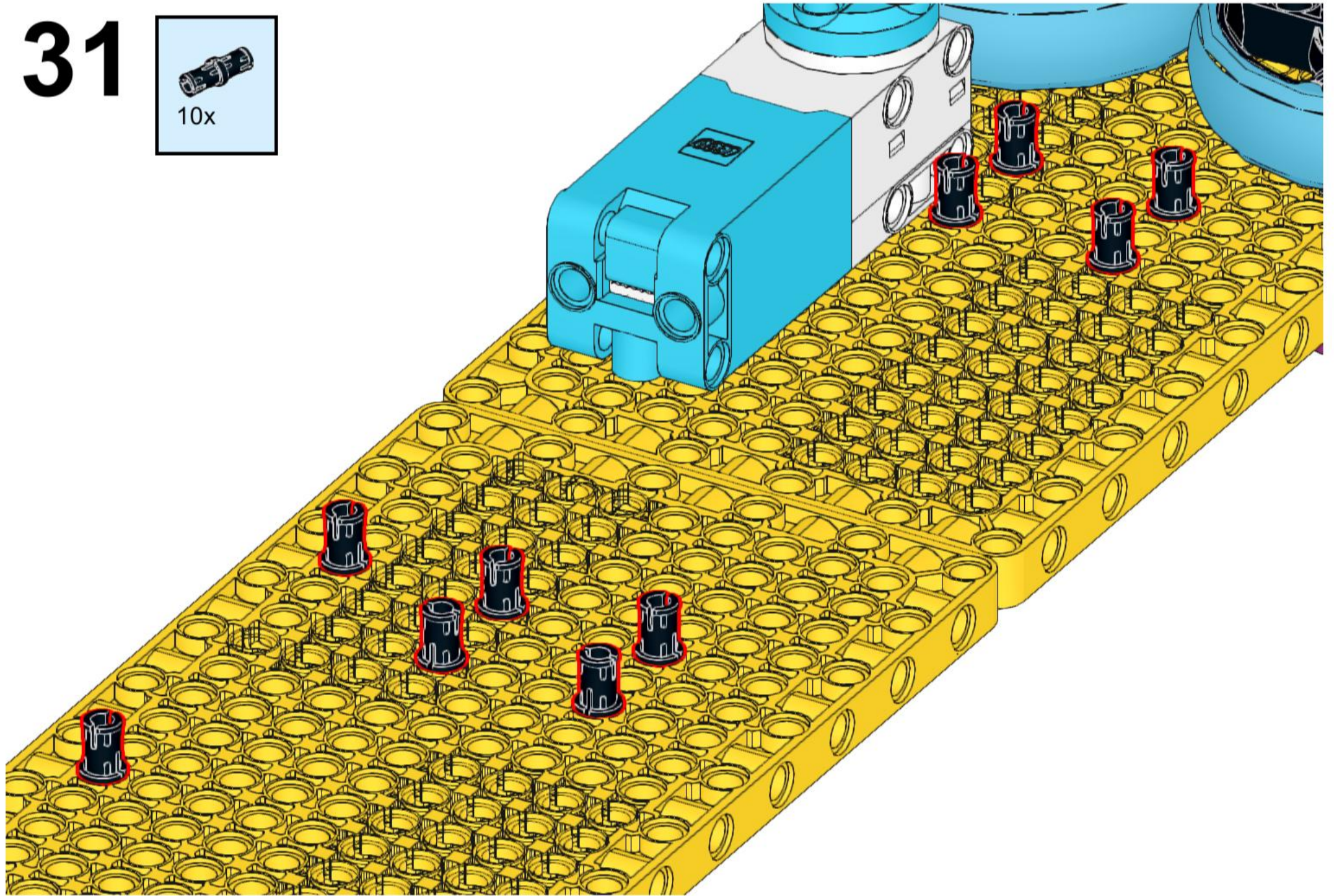
29



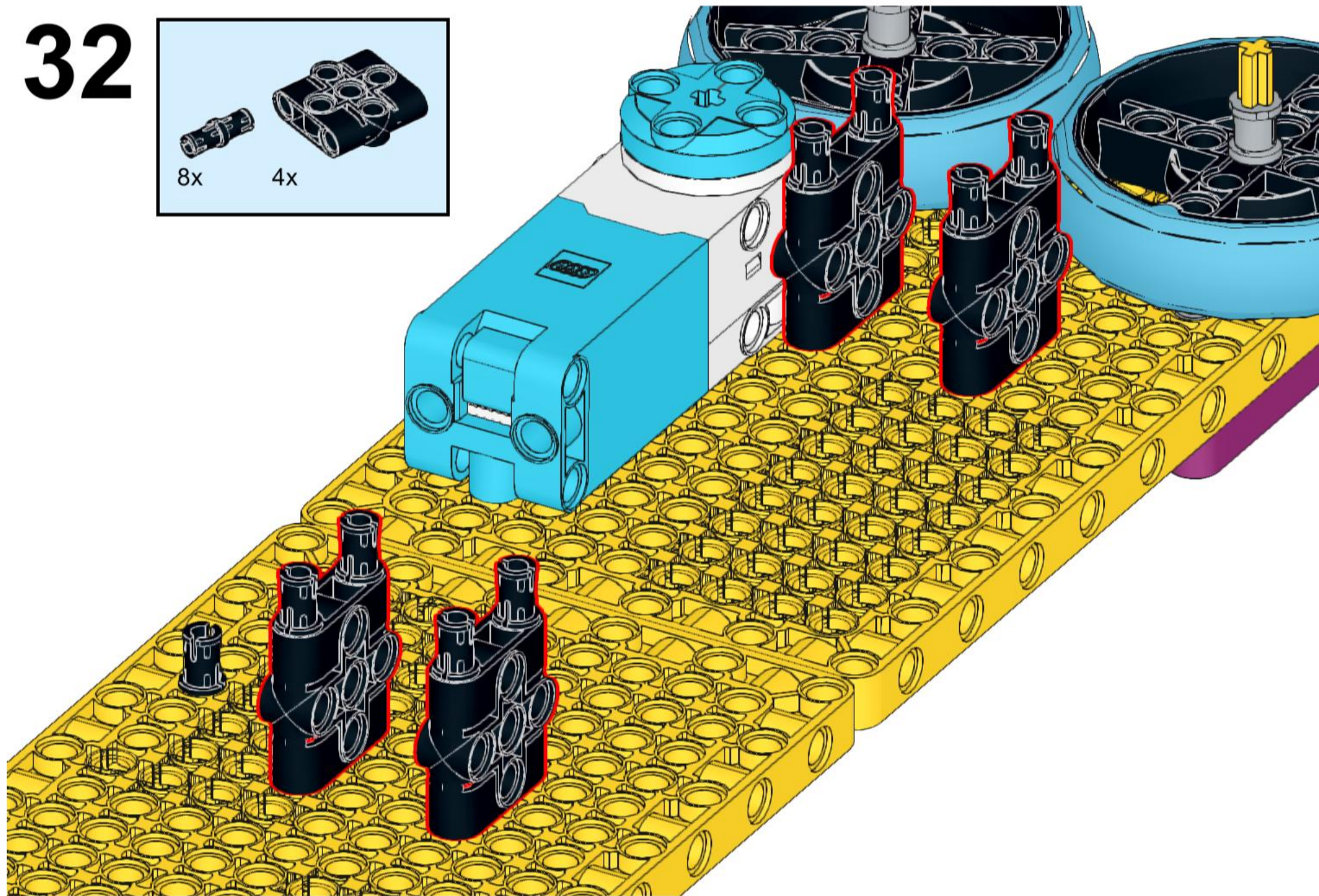
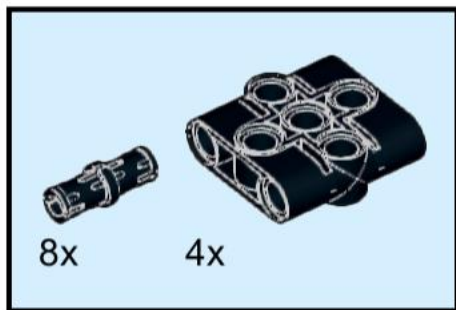
30



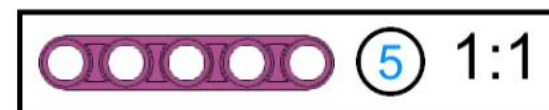
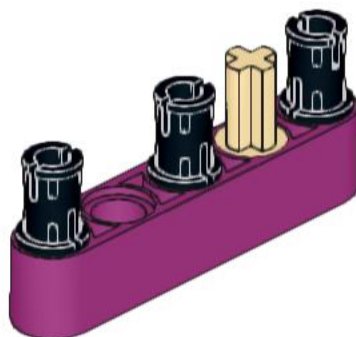
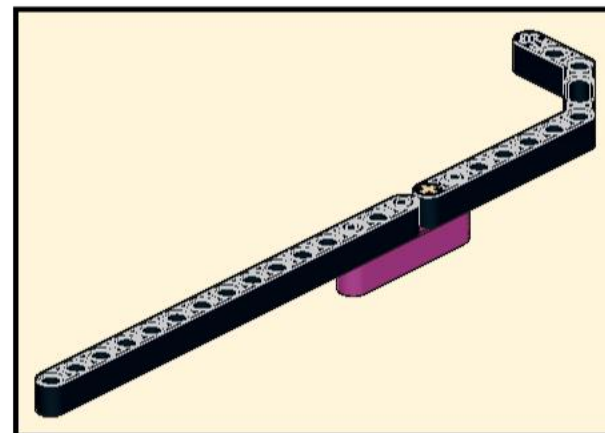
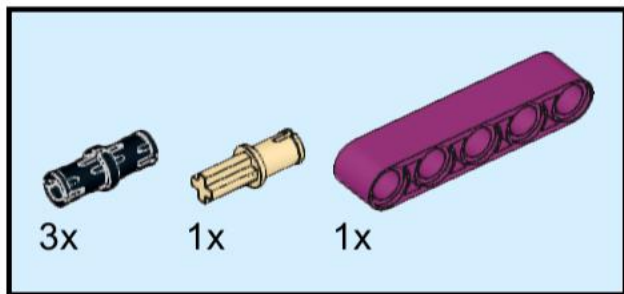
31



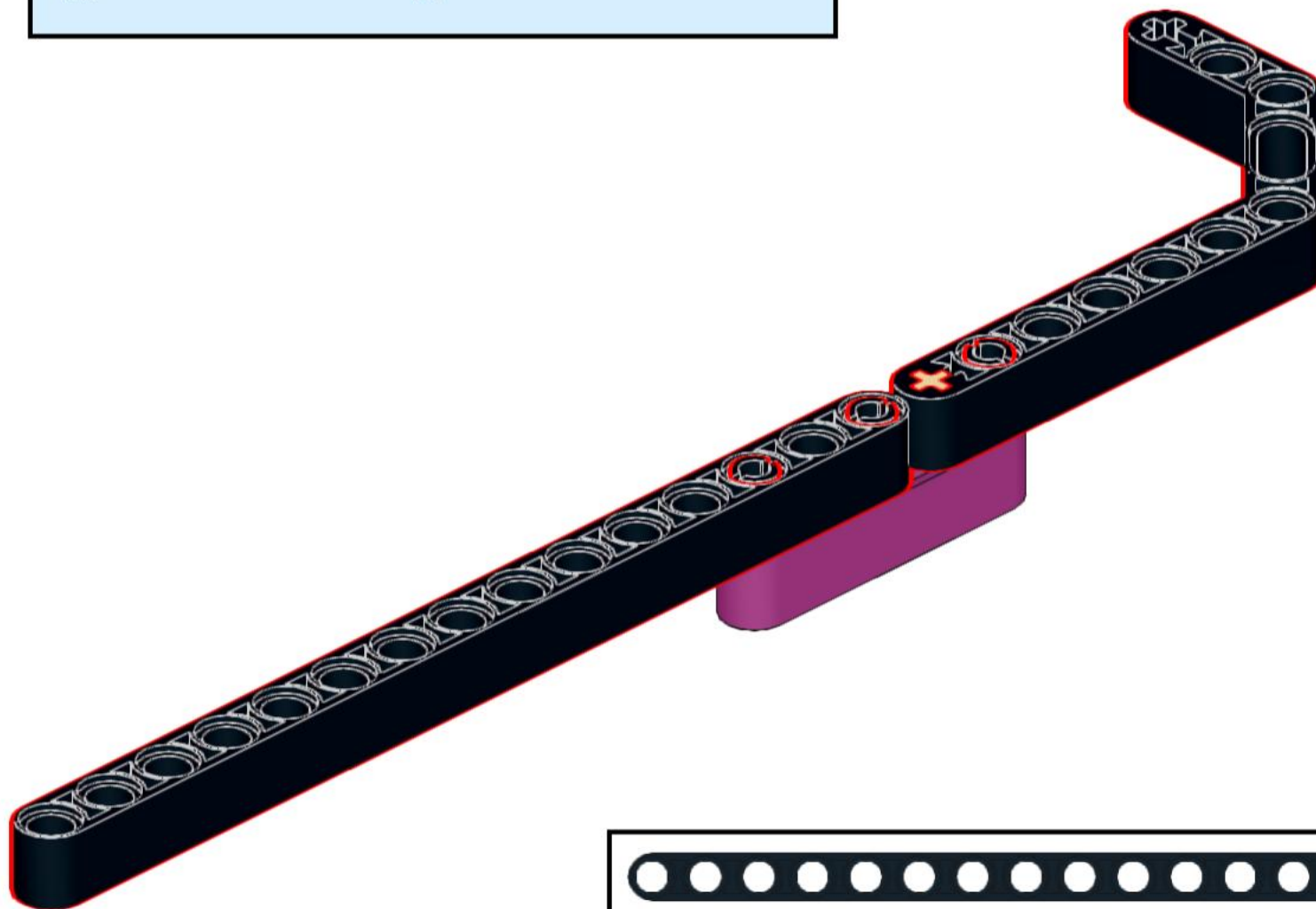
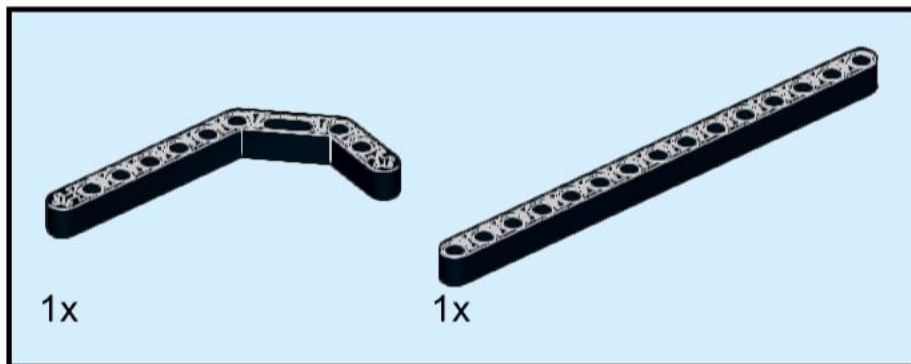
32



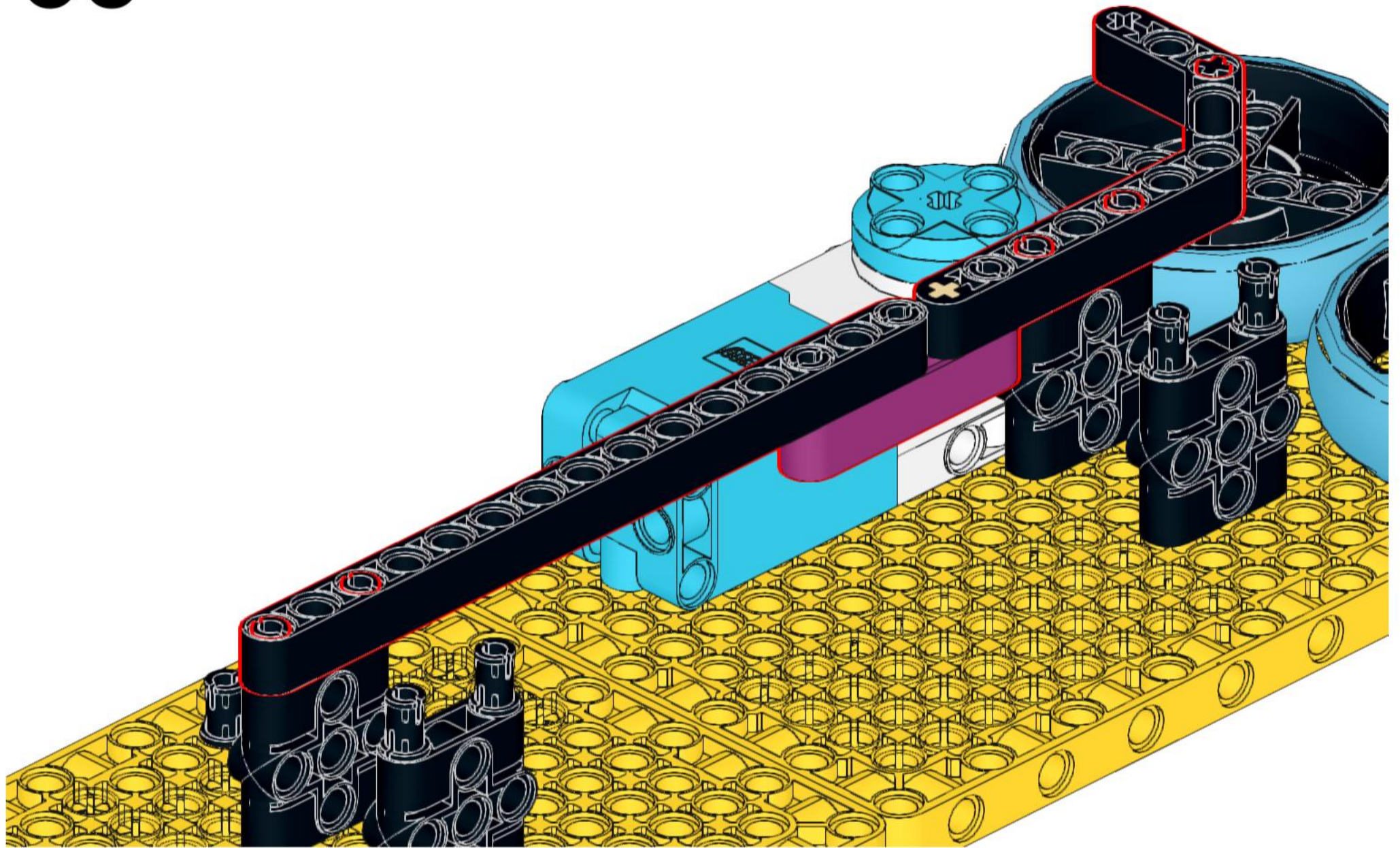
33



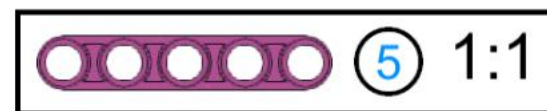
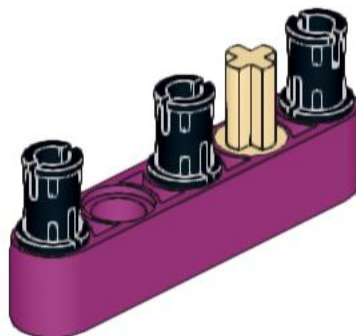
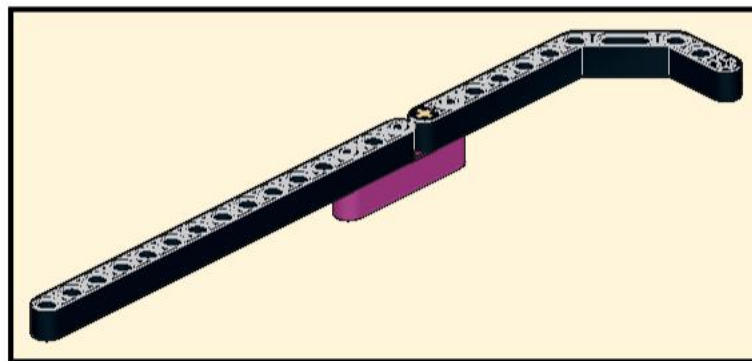
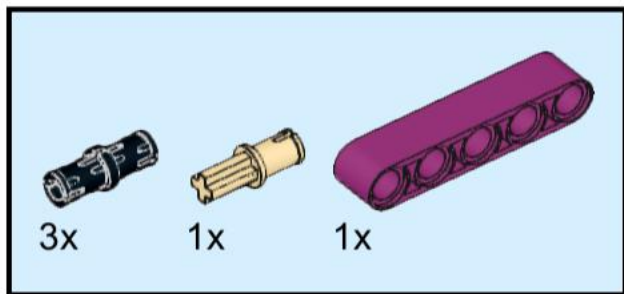
34



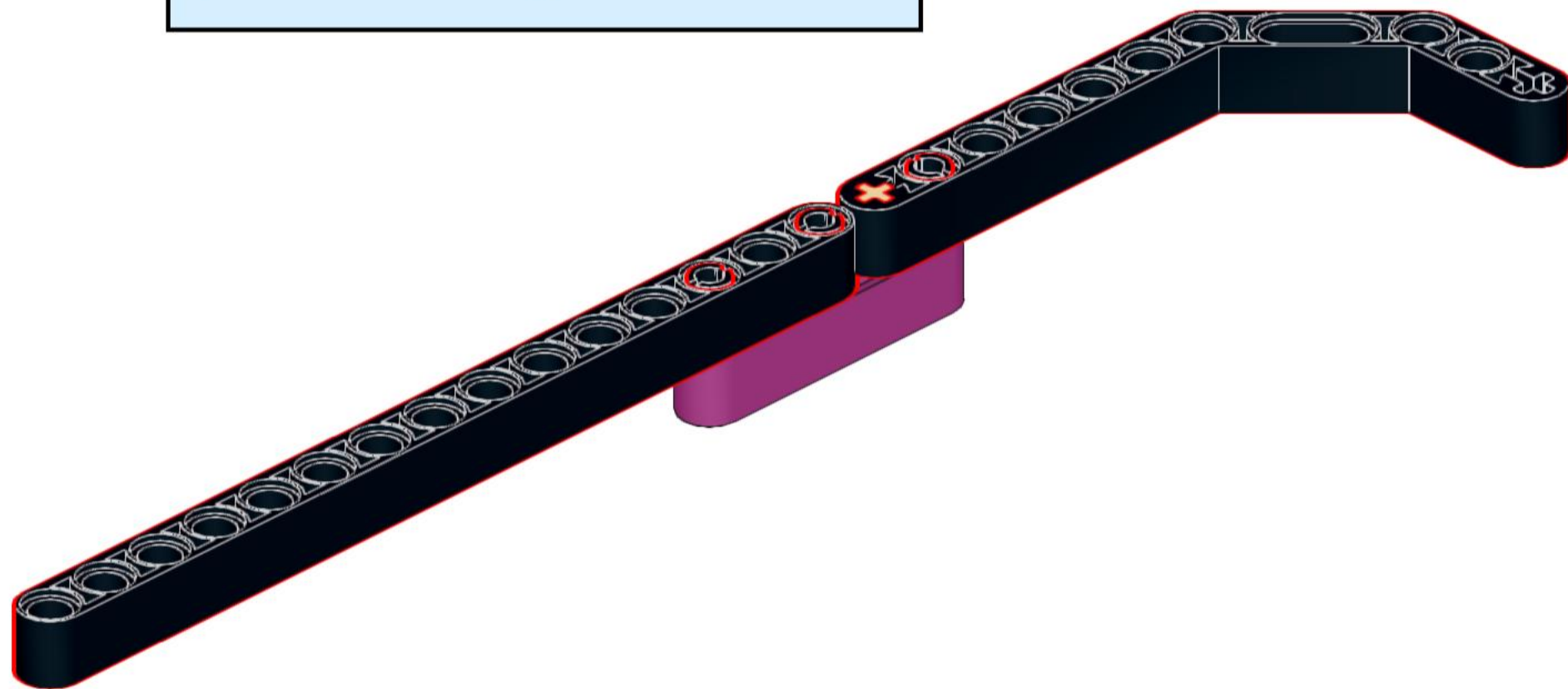
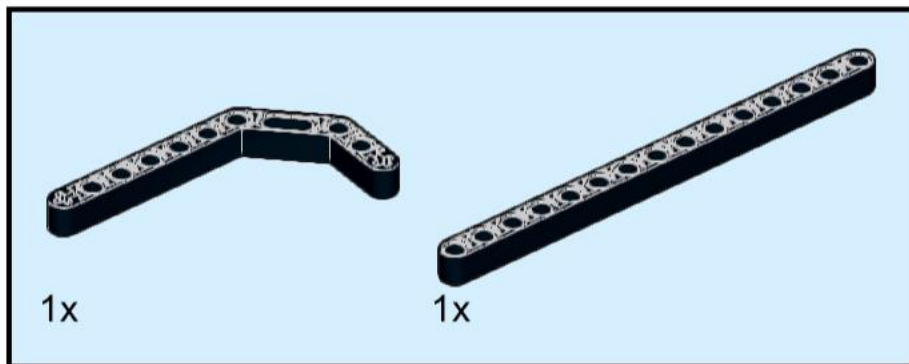
35



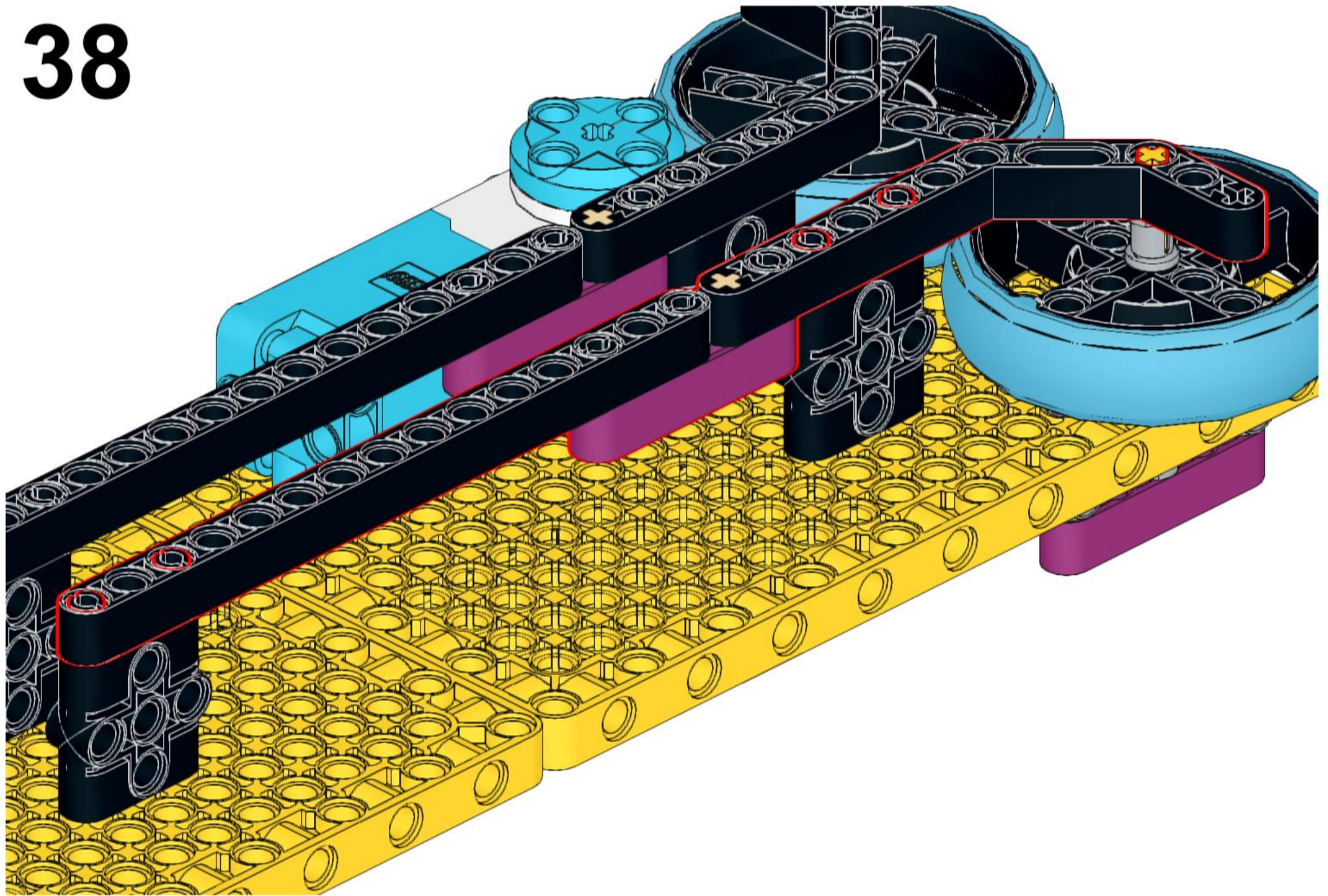
36

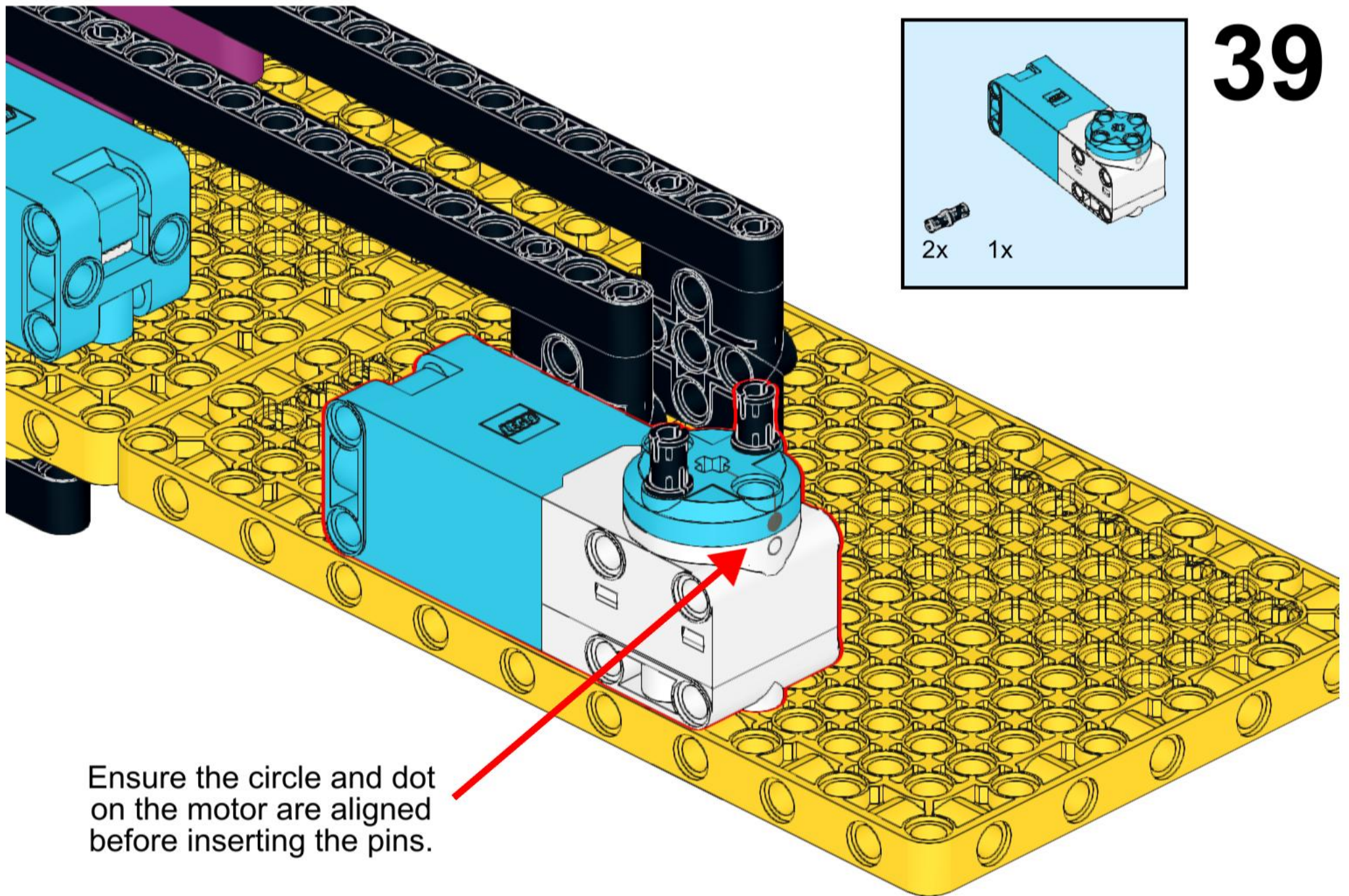


37



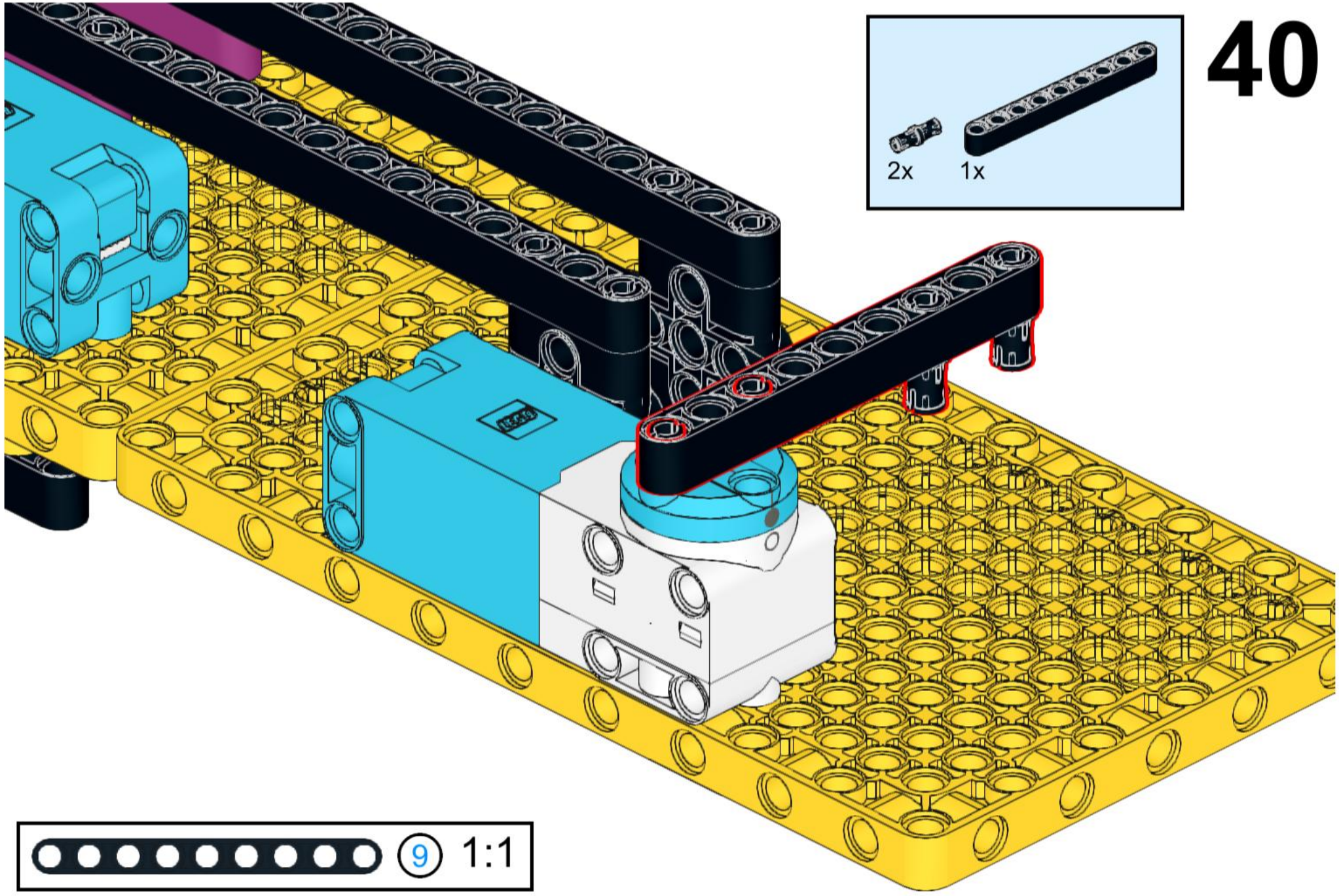
38



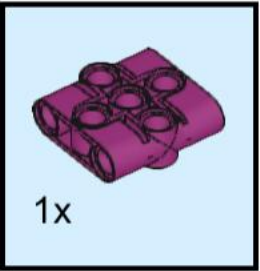
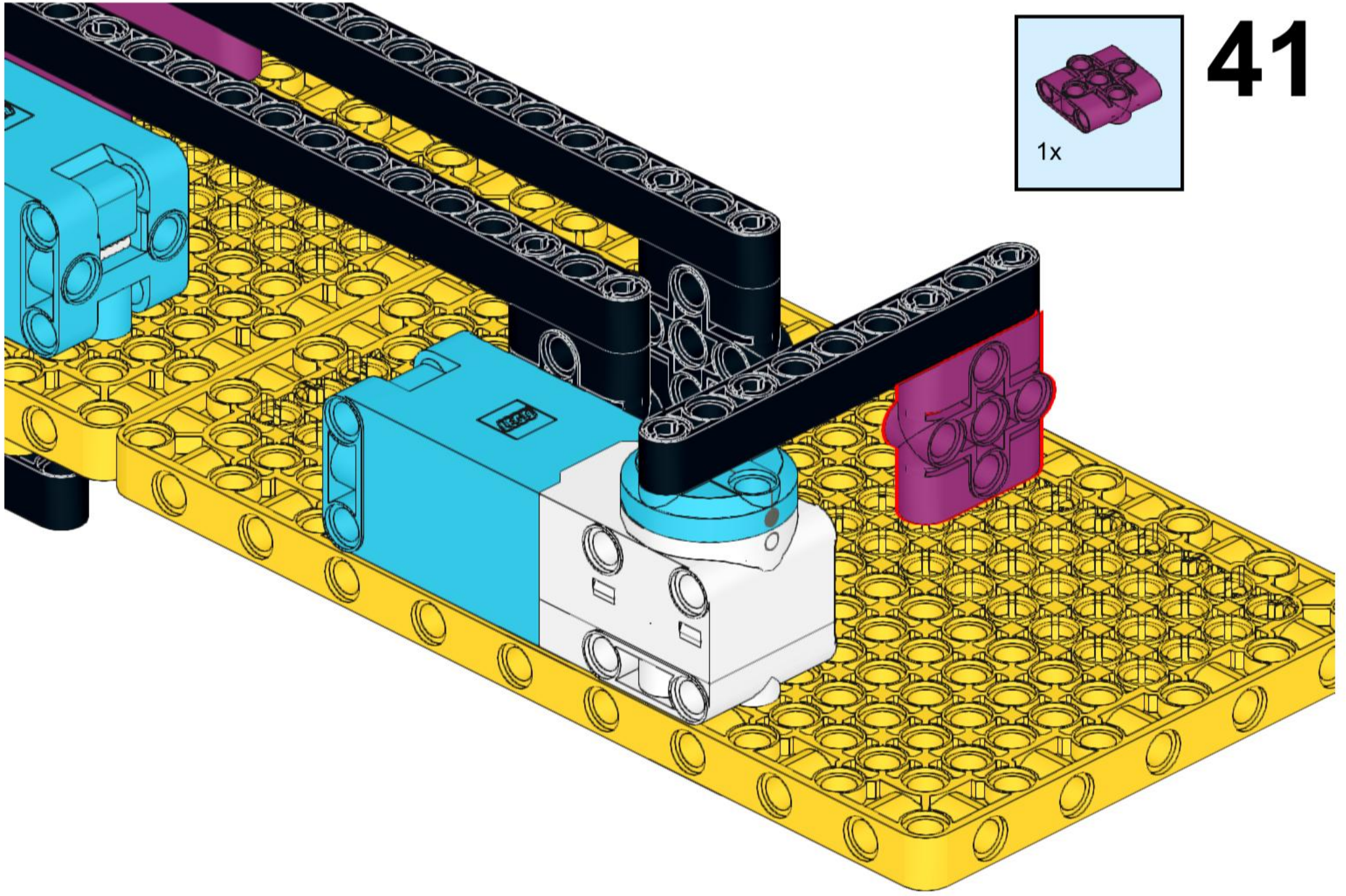


Ensure the circle and dot on the motor are aligned before inserting the pins.

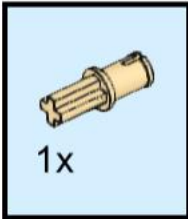
40



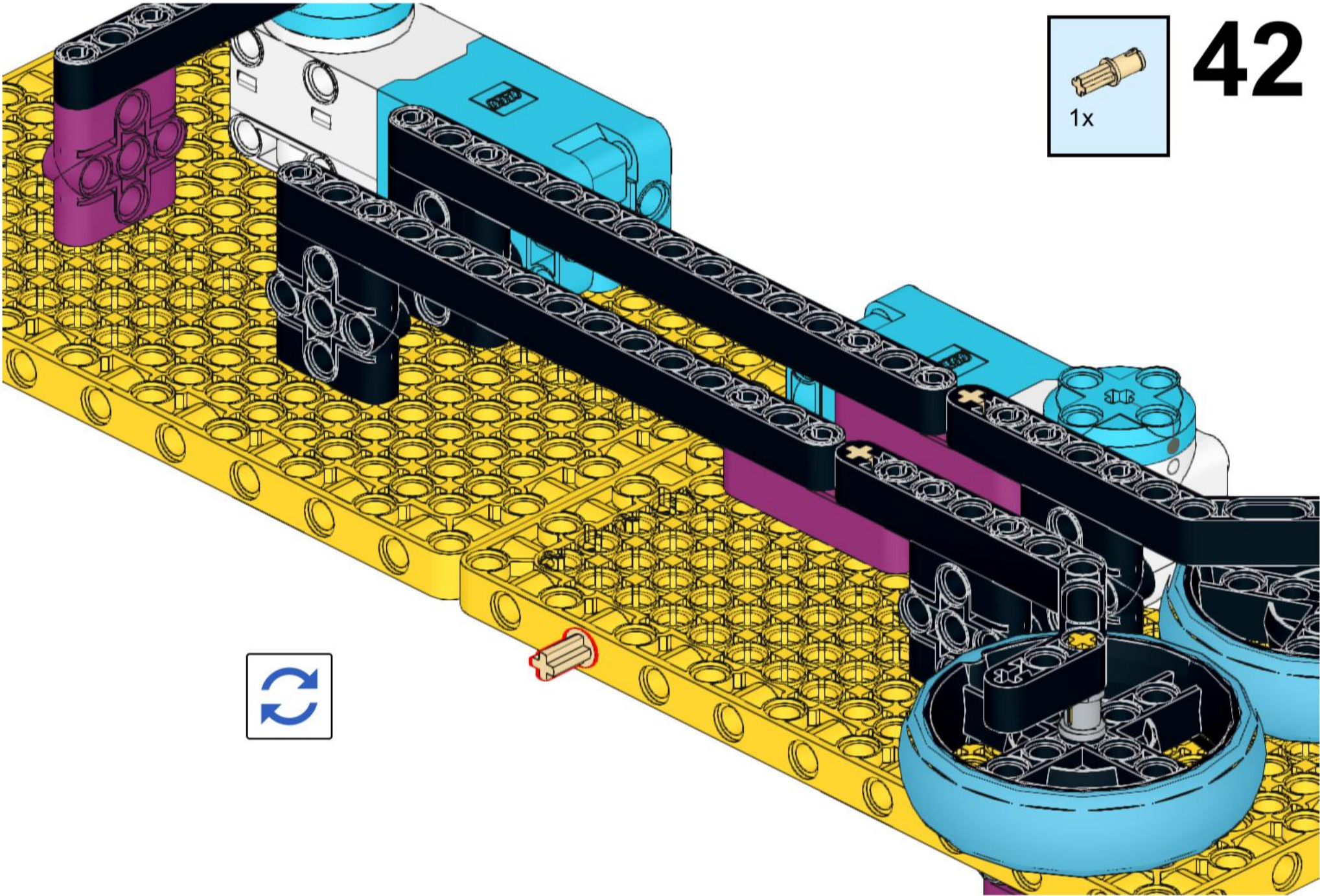
● ● ● ● ● ● ● ● ● (9) 1:1



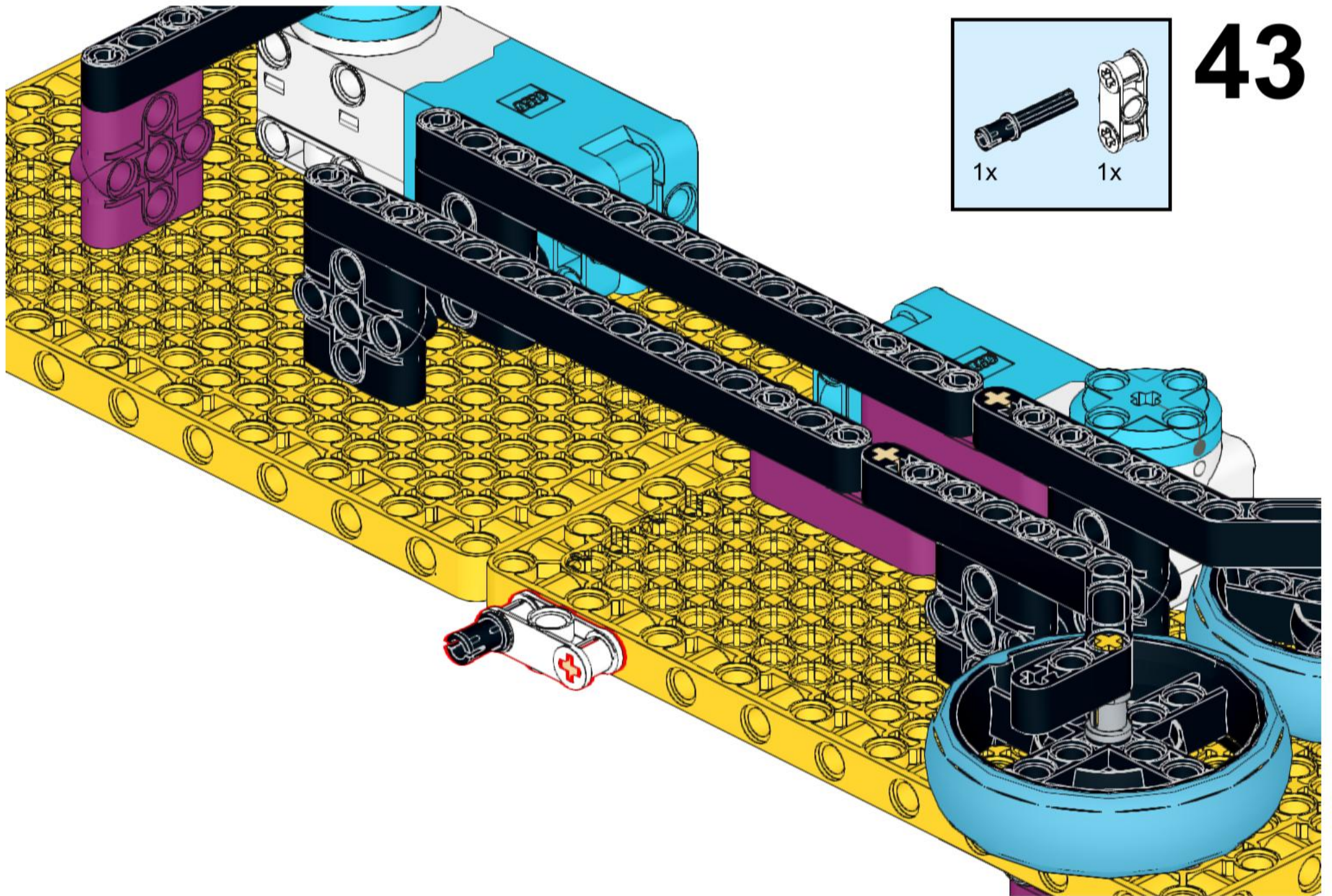
41

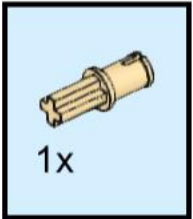
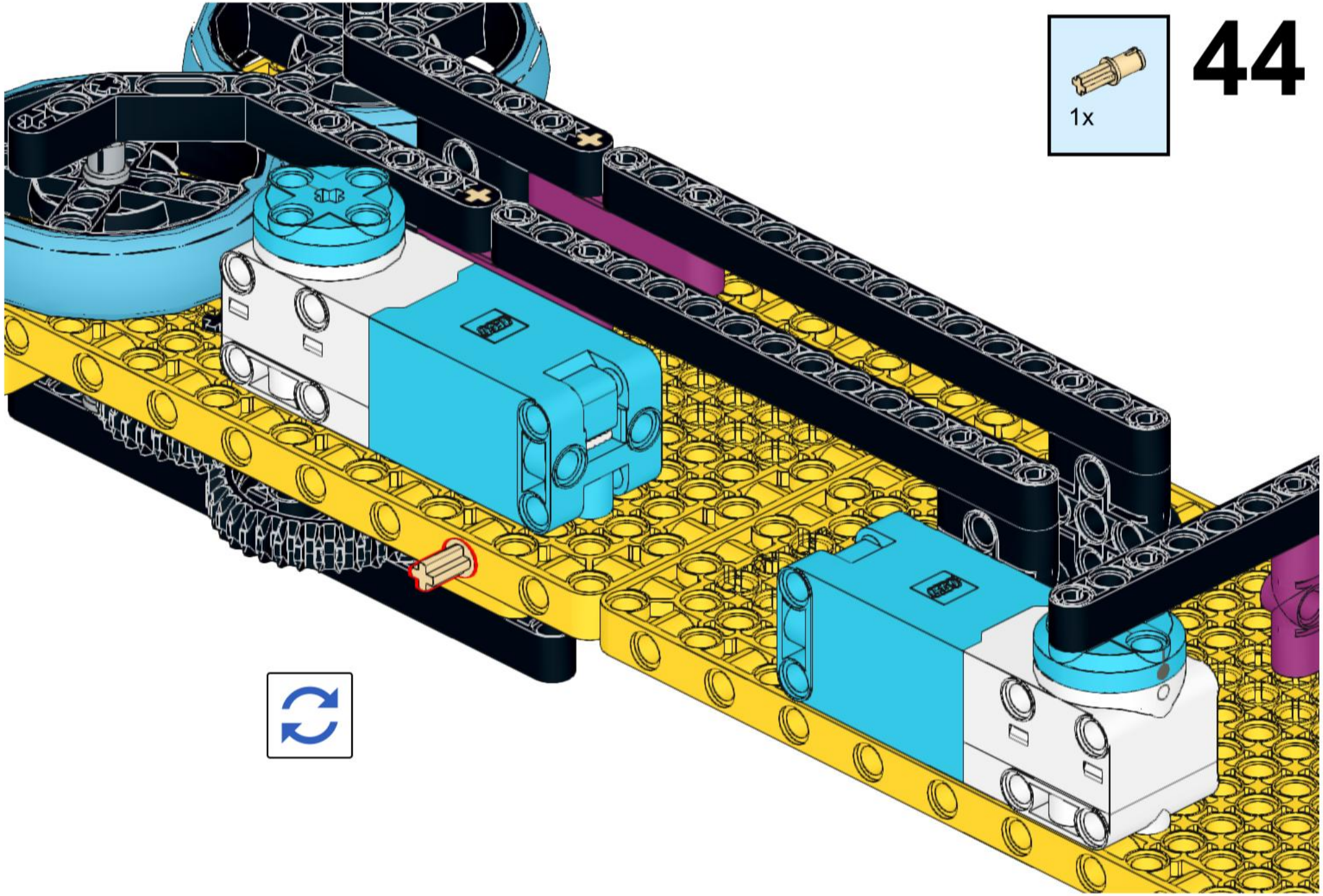


42



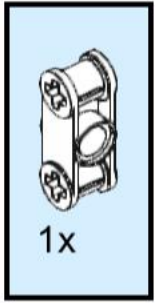
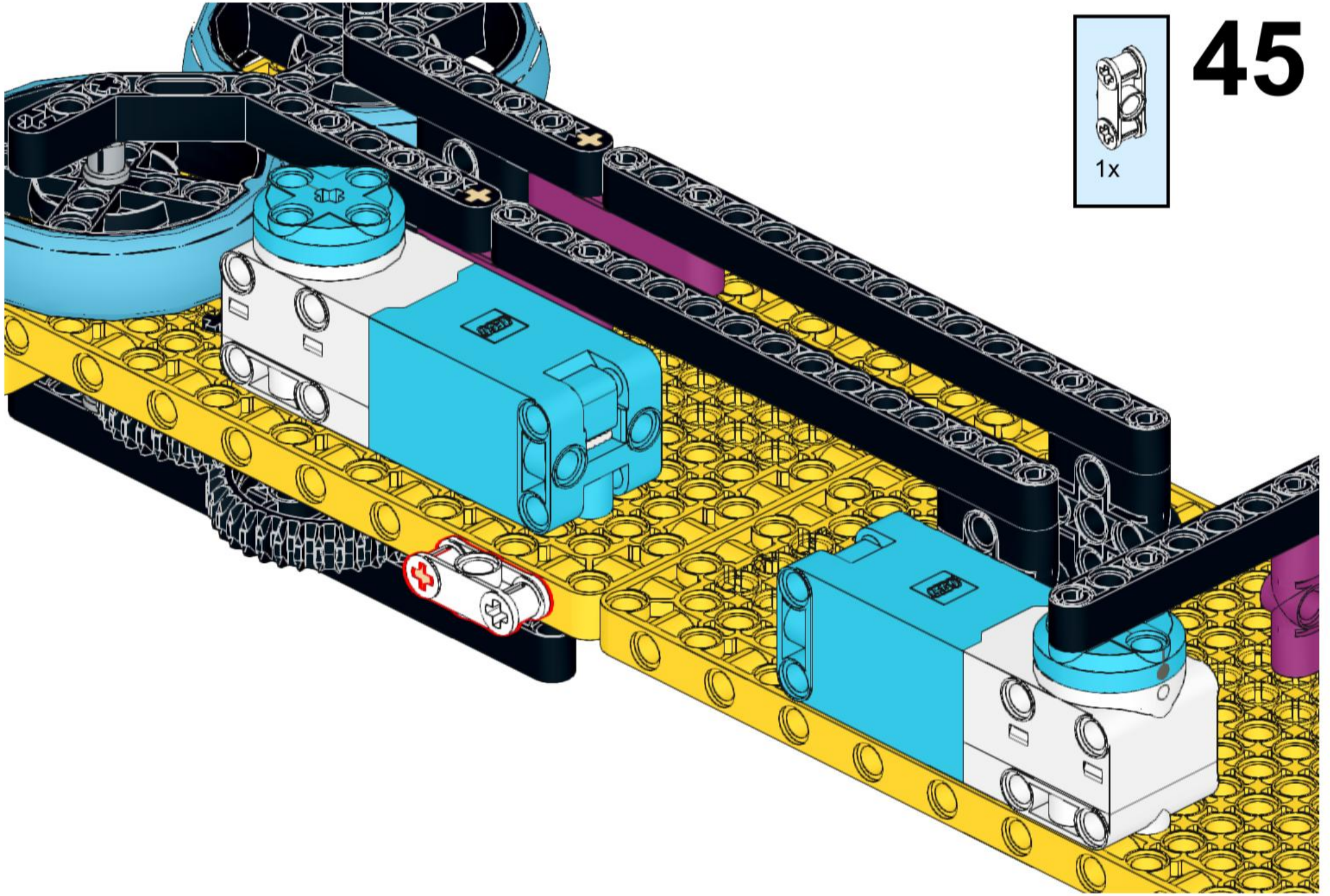
43





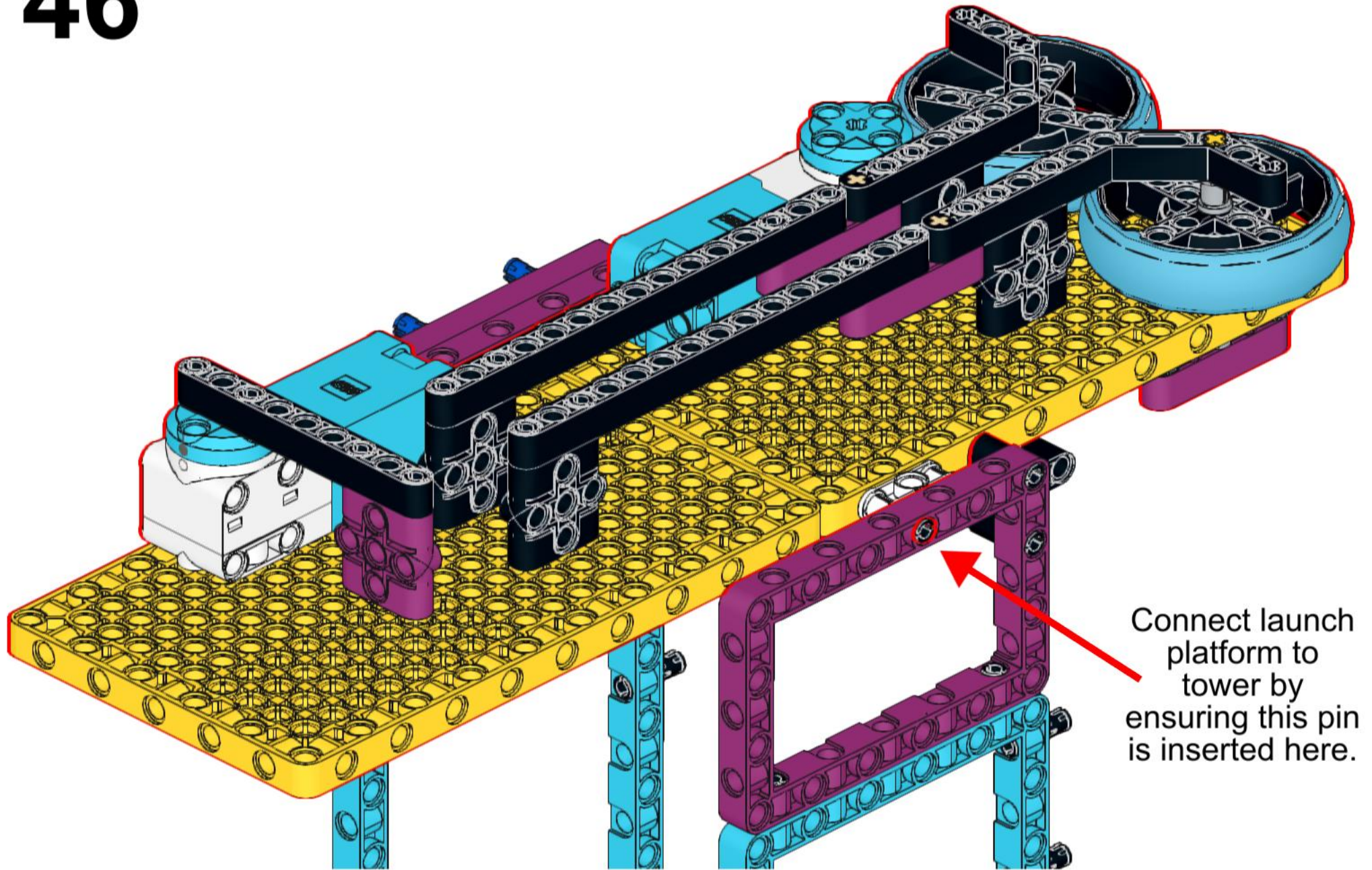
44



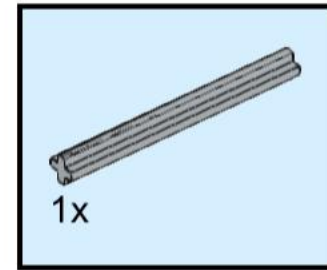


45

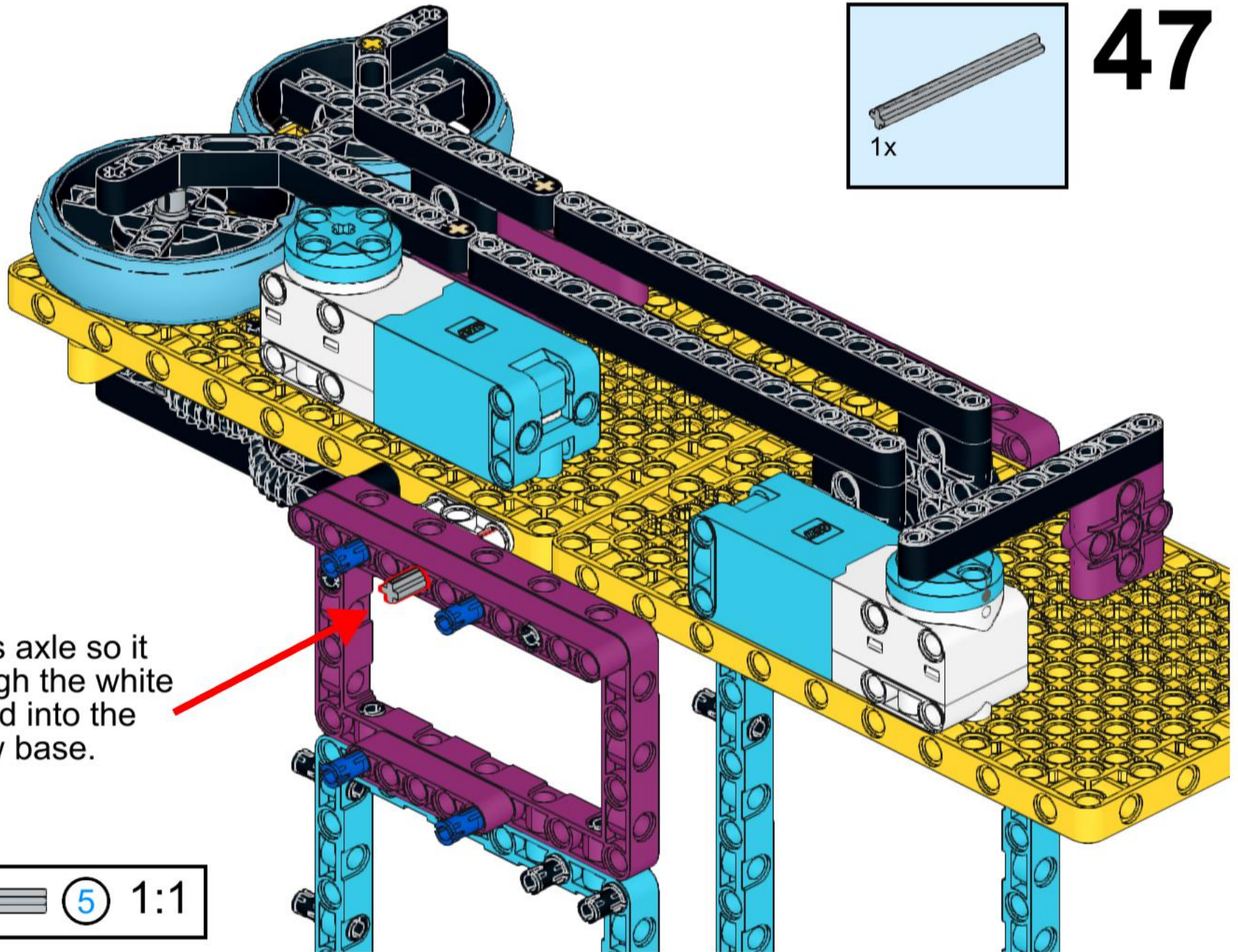
46



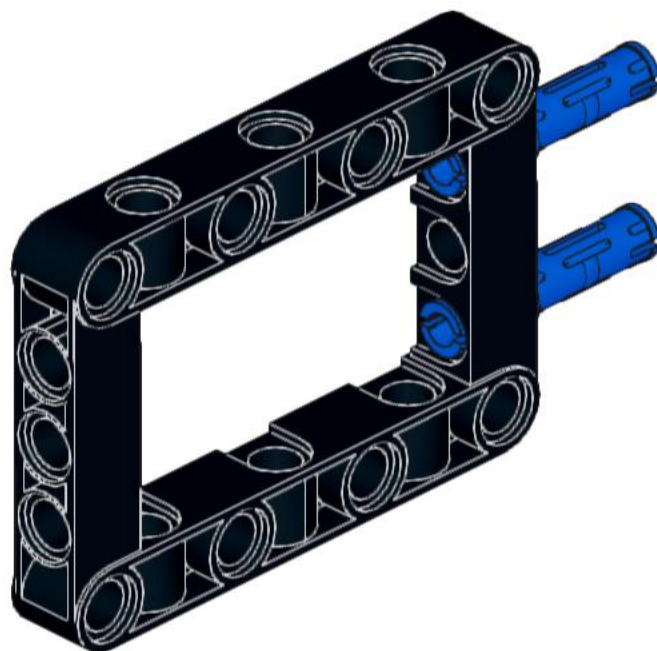
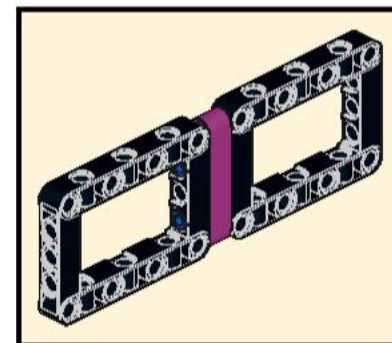
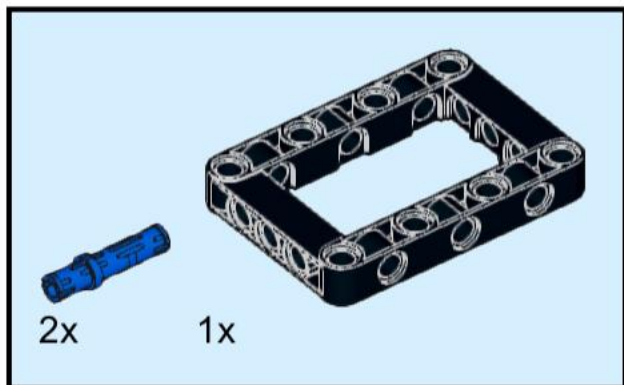
Connect launch platform to tower by ensuring this pin is inserted here.



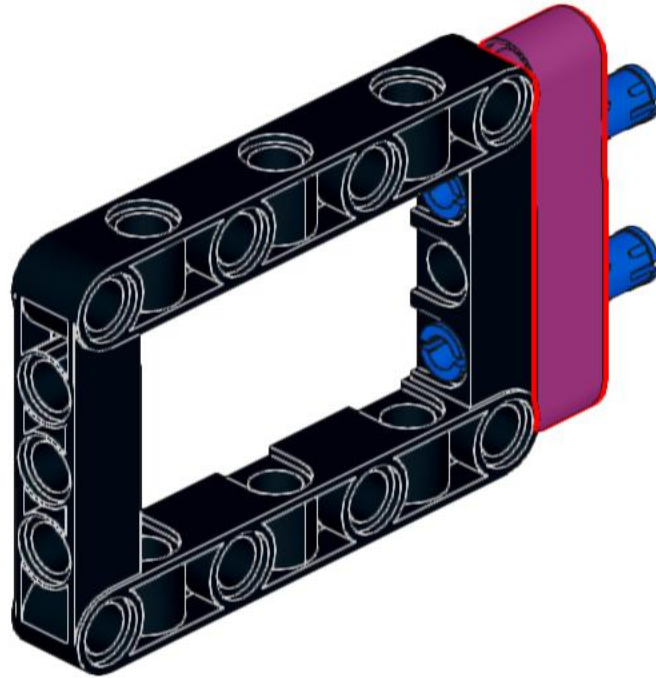
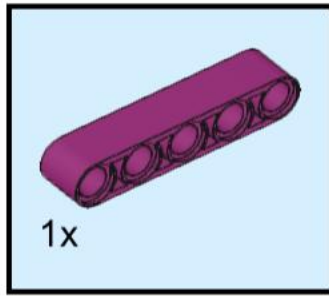
Insert this axle so it goes through the white piece and into the yellow base.



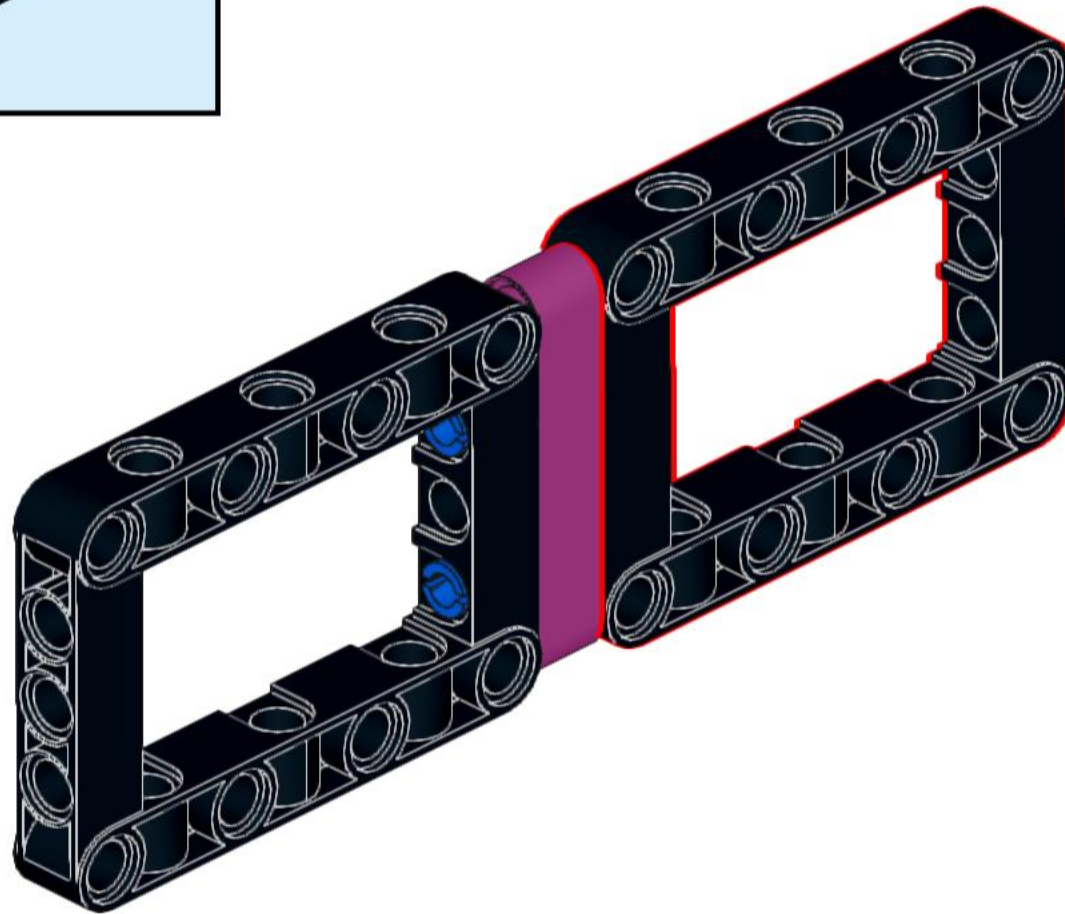
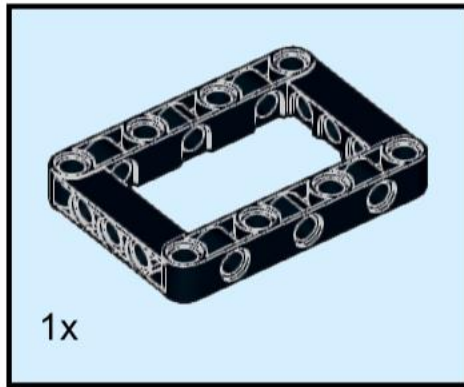
48



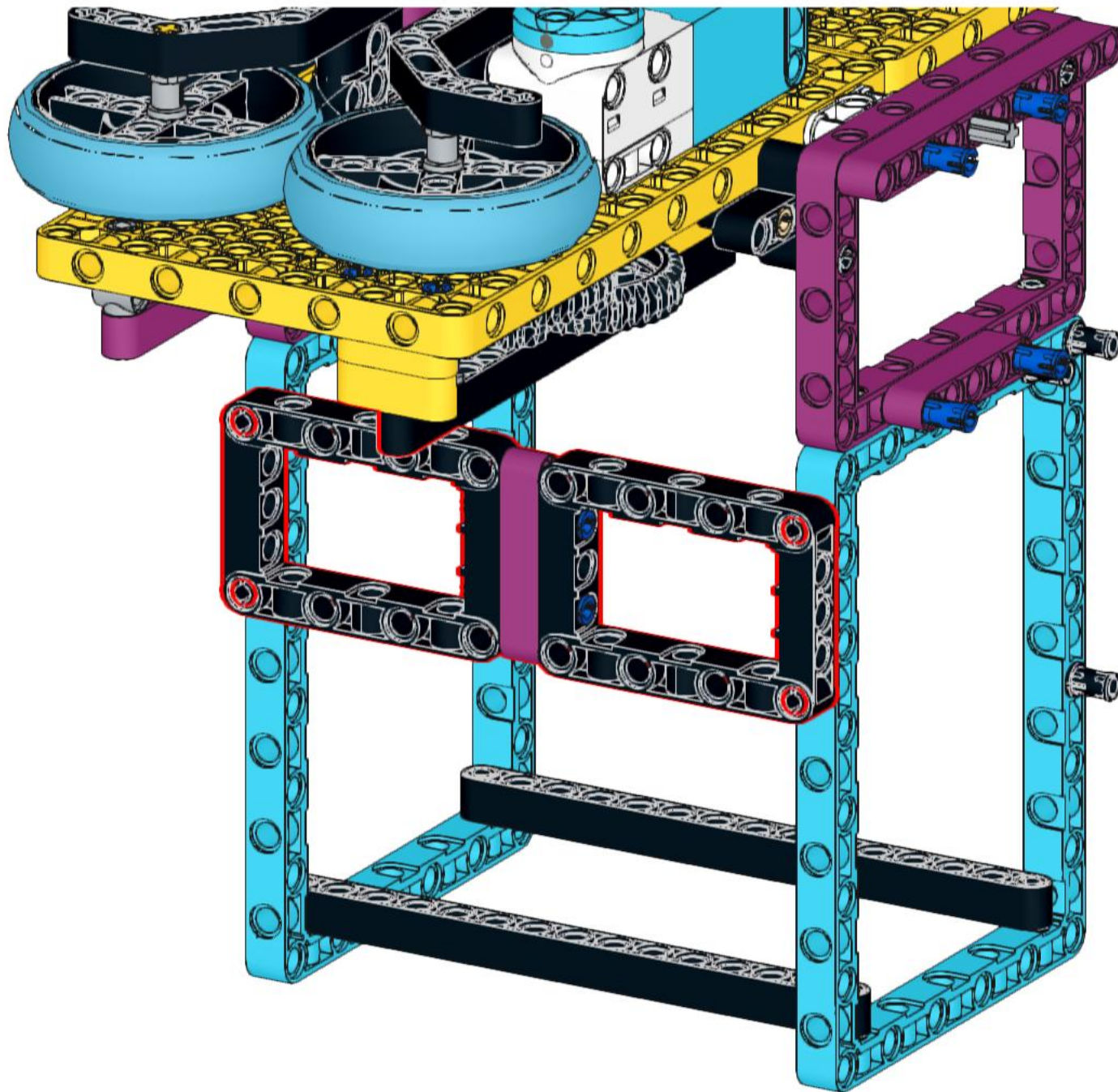
49



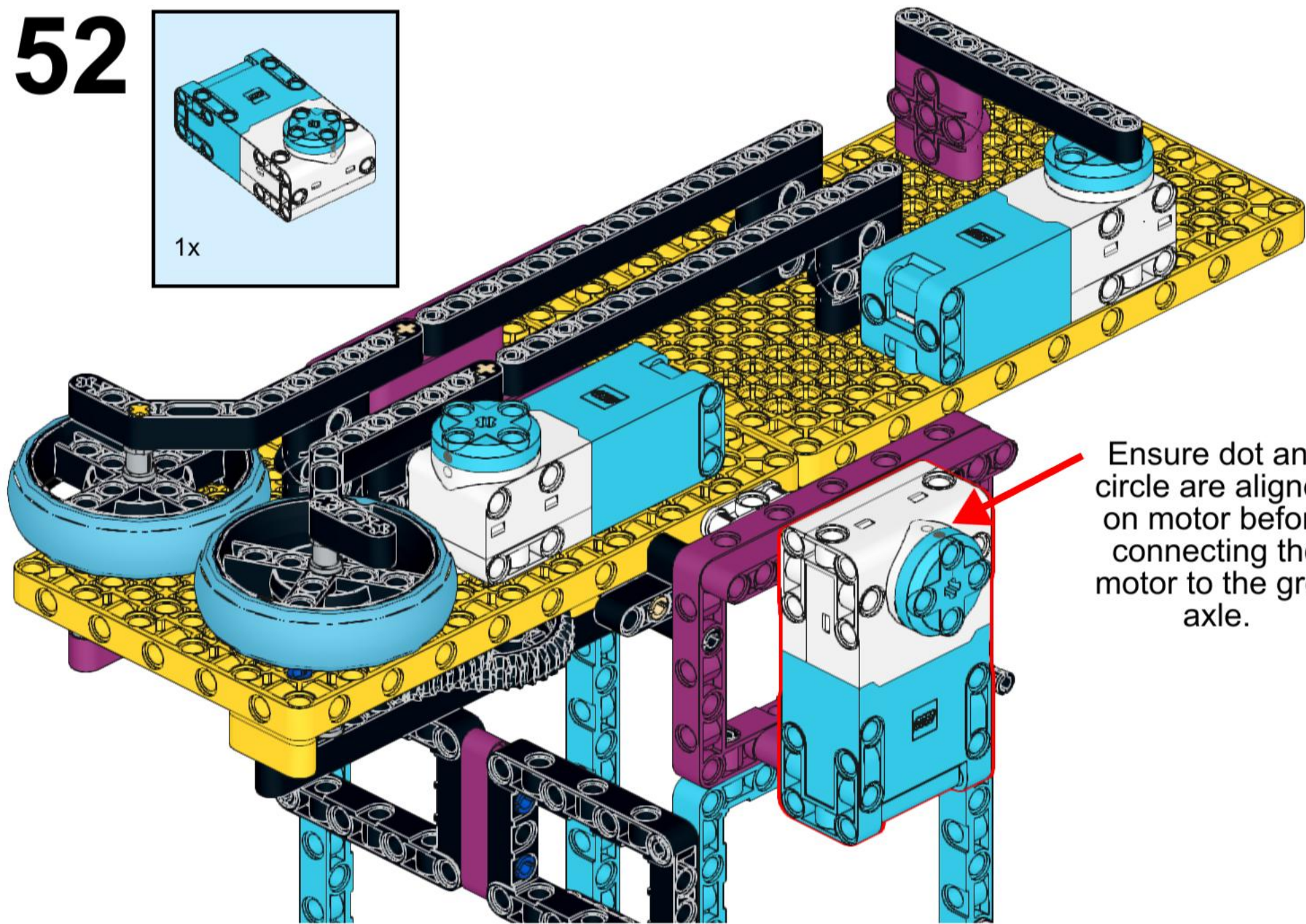
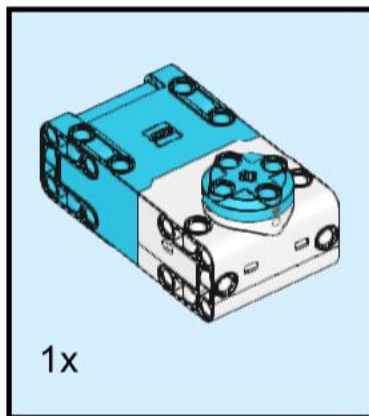
50



51

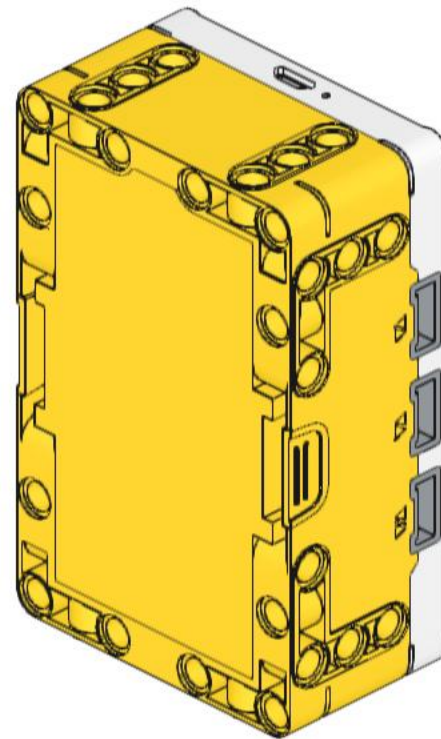
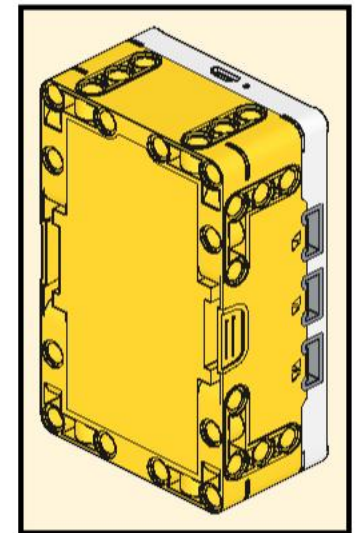
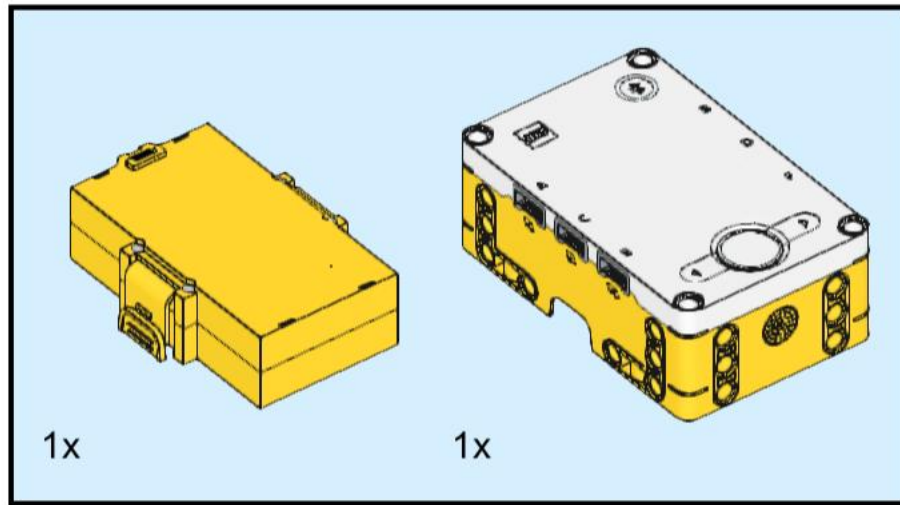


52

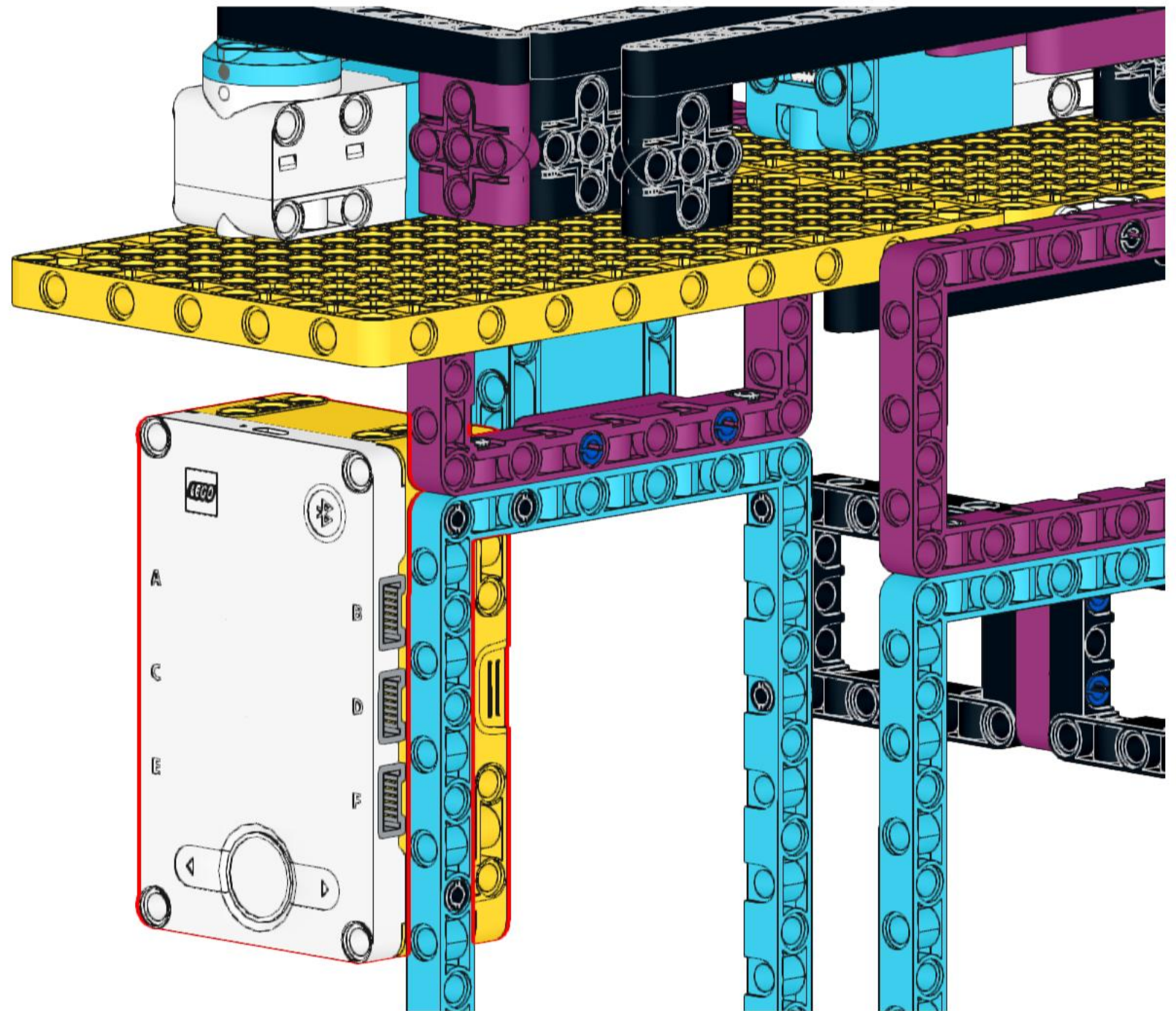


Ensure dot and circle are aligned on motor before connecting the motor to the grey axle.

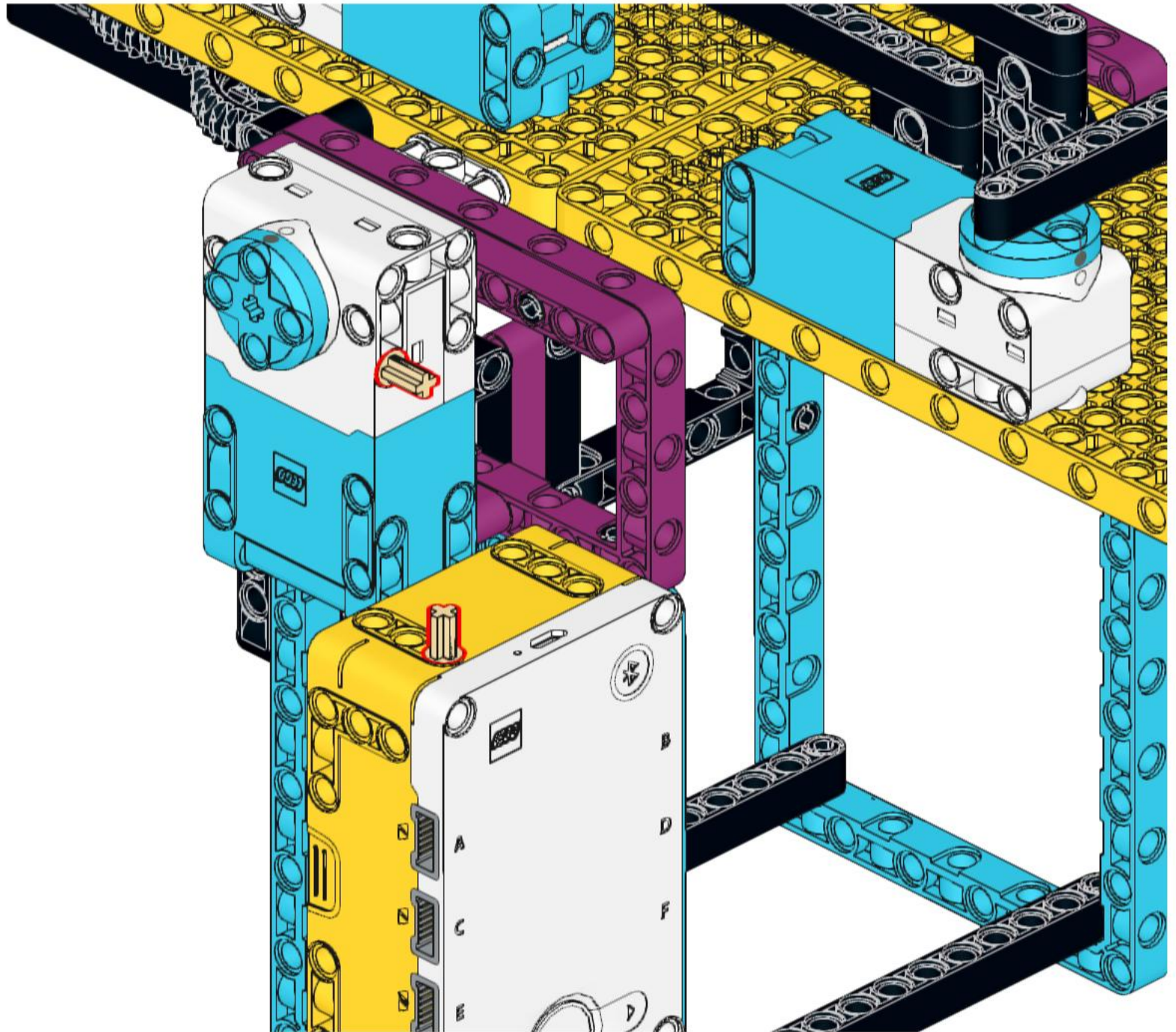
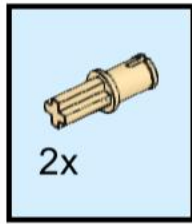
53



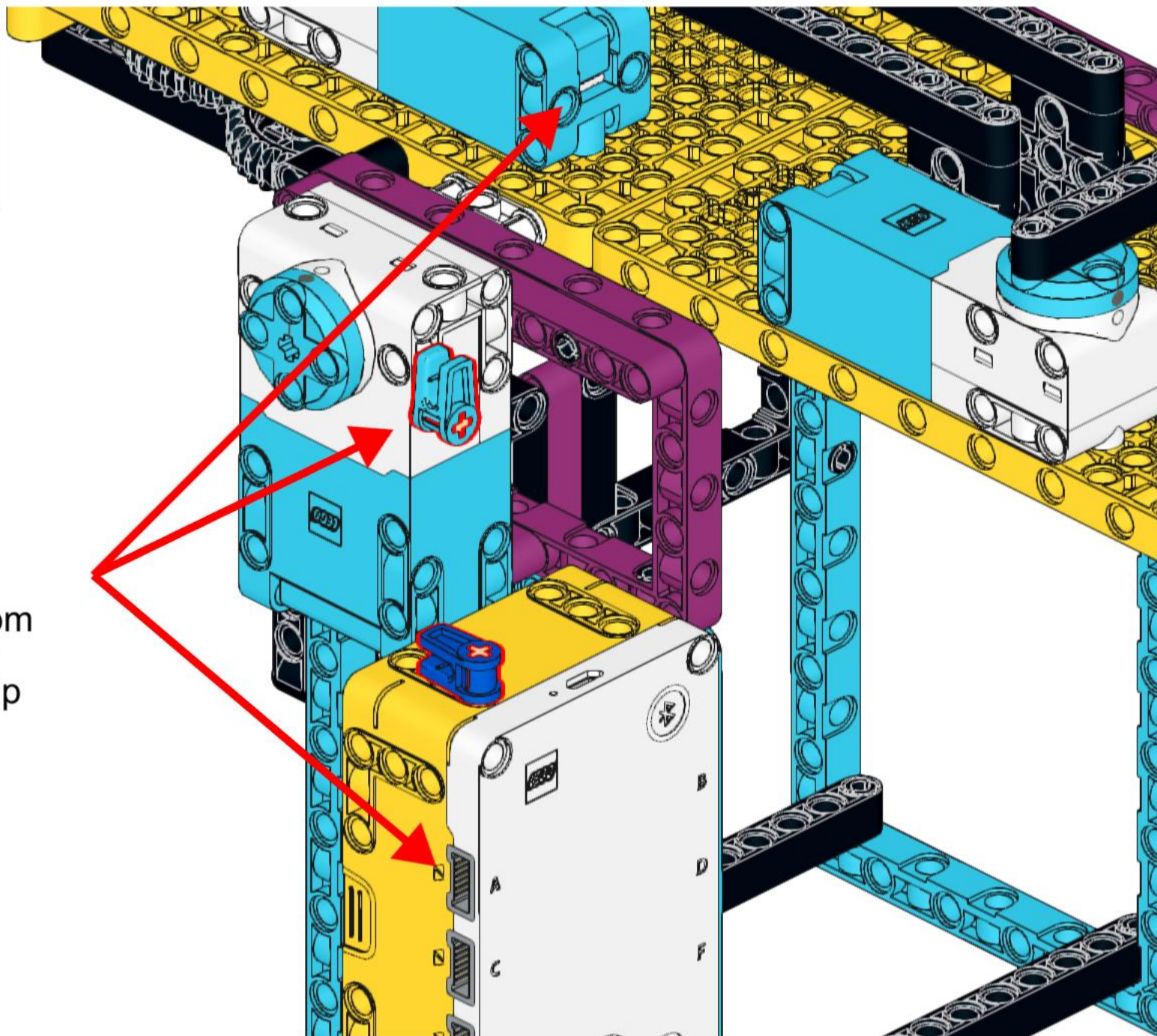
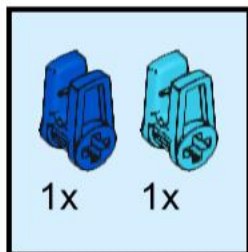
54



55



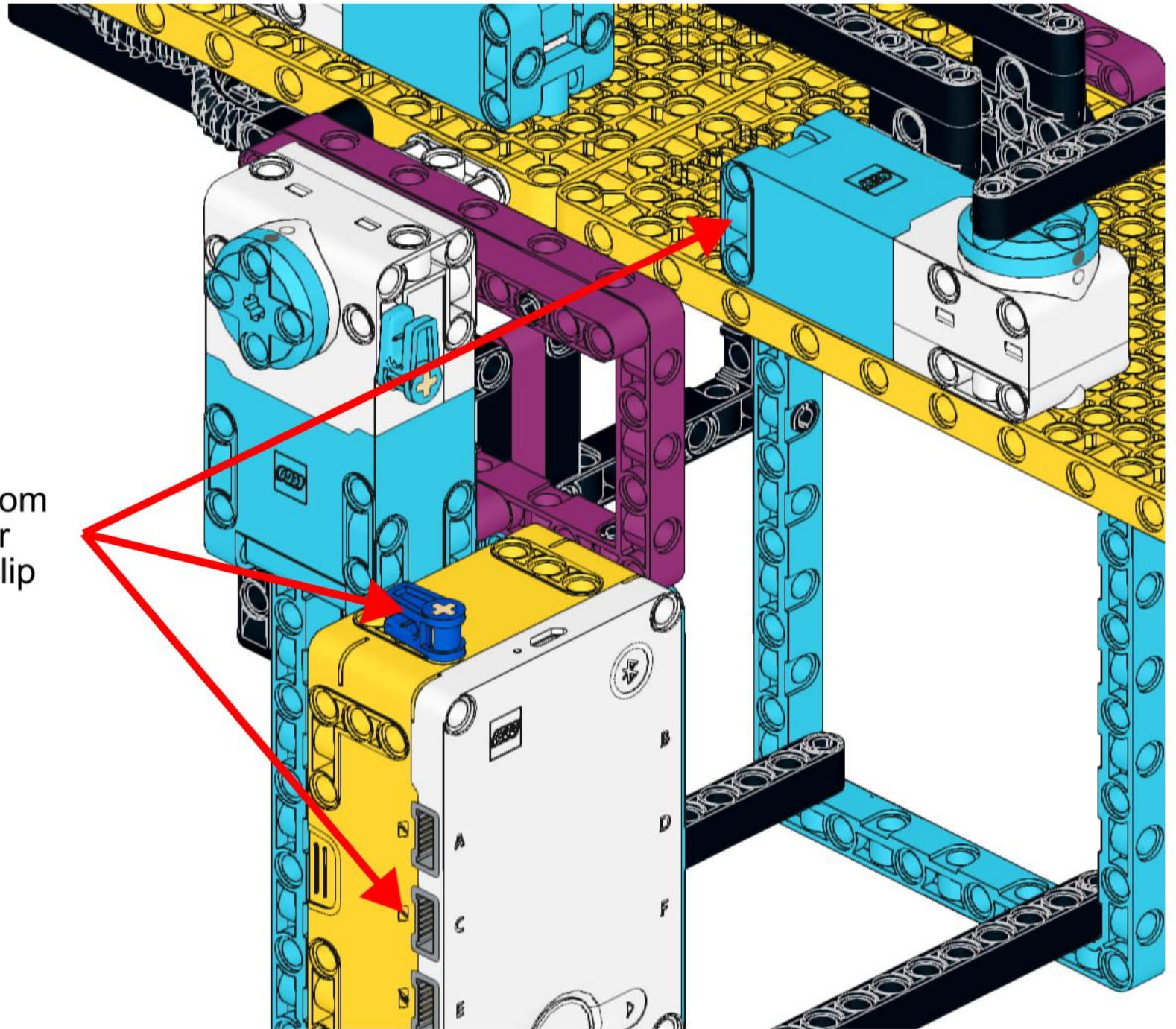
56

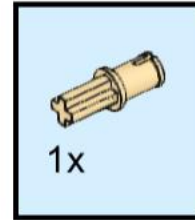
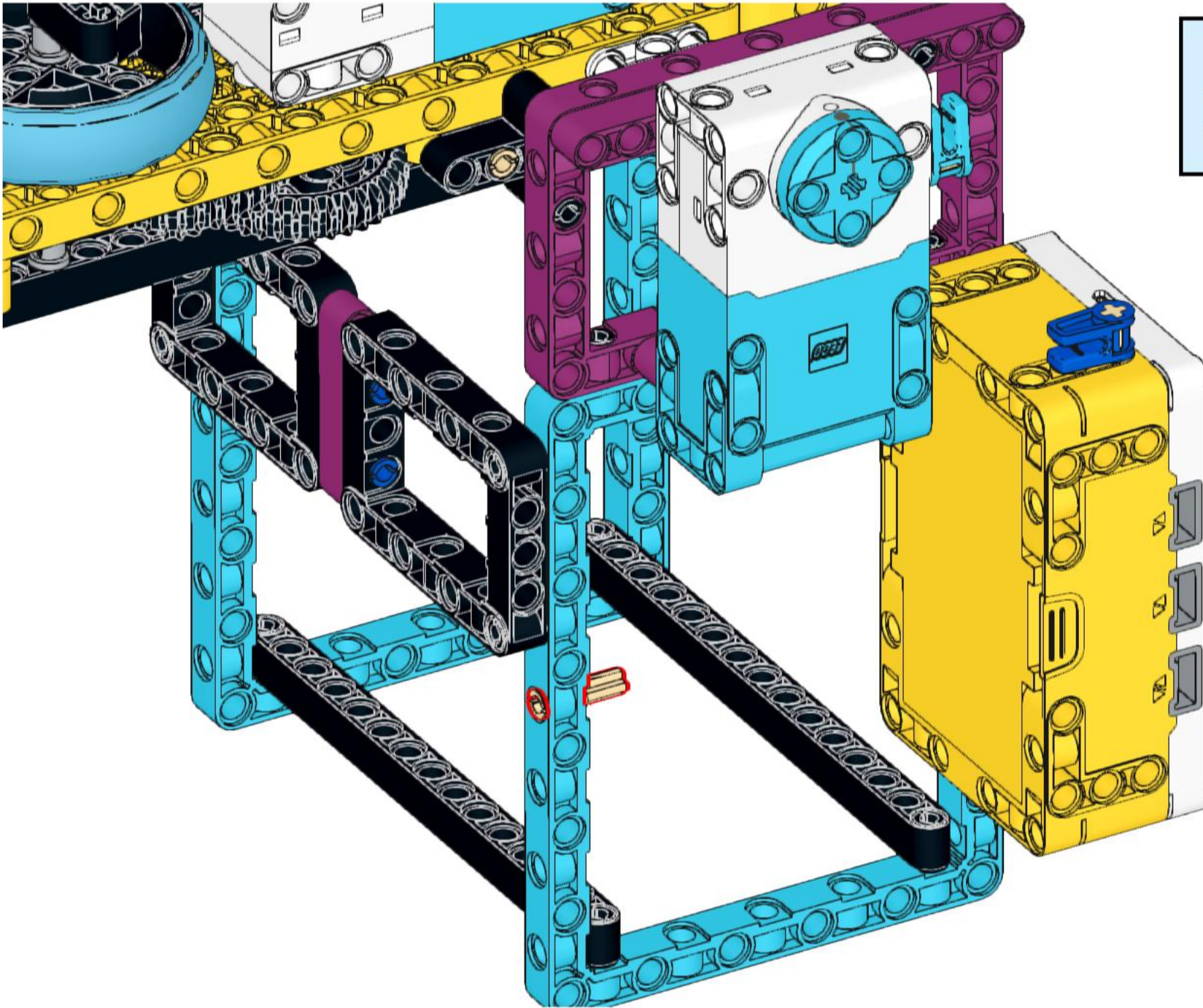


Connect the cable from this medium motor through this cable clip and into port A.

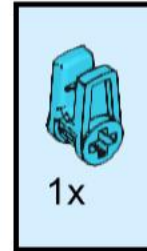
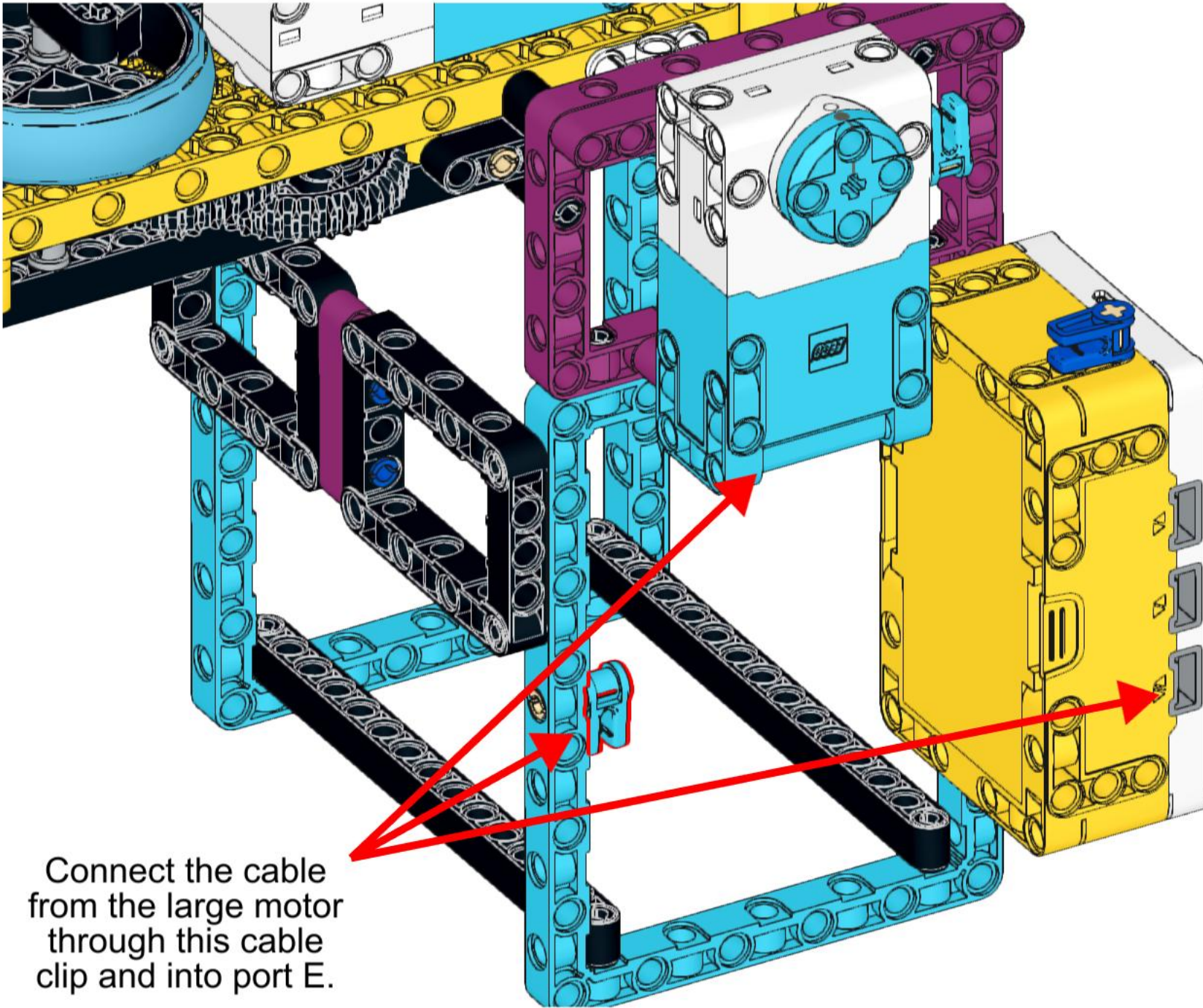
57

Connect the cable from this medium motor through this cable clip and into port C.





58



59

Connect the cable from the large motor through this cable clip and into port E.